

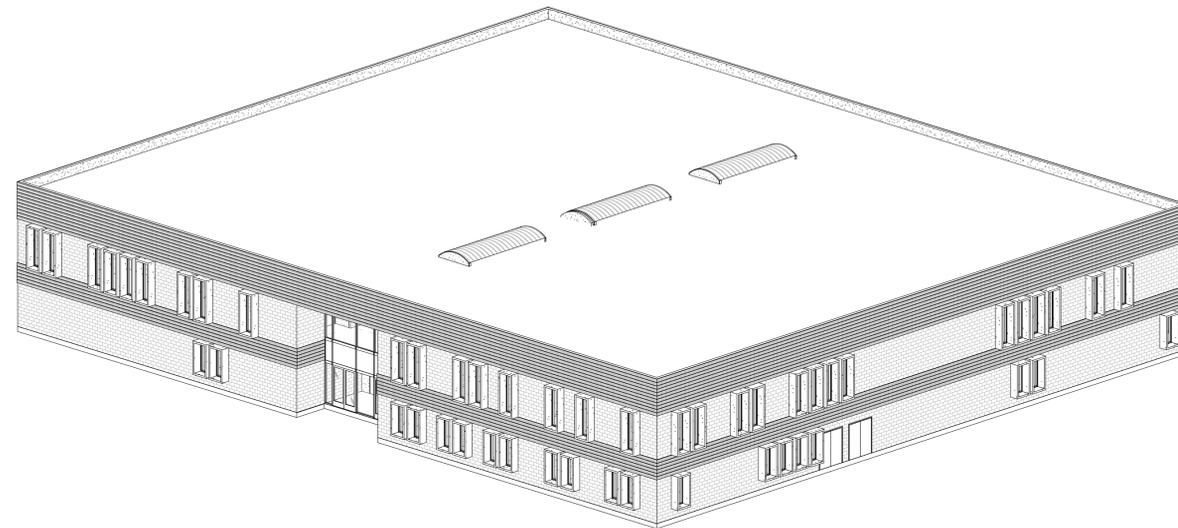
DCSO - RECORDS RENOVATION

100%

Dec. 22, 2021

PROJECT ADDRESS:

**1038 BUCKEYE ROAD
MINDEN, NV 89423**



CLIENT:

DOUGLAS COUNTY

PROJECT MANAGER: SCOTT McCULLOUGH

SMcCULLOUGH@DOUGLASNV.US

PO BOX 218 MINDEN, NV

(P) 775 790 5212

tsk

303 South Water Street,
Suite 230
Henderson, NV 89014
phone: 702.456.3000
fax: 702.898.6209
www.tska.com

DESIGN TEAM

ARCHITECT

TSK ARCHITECTS
225 2. ARLINGTON AVE, SUITE A
RENO, NV 89501
KOLBY HARPSTEAD
[E] KHARPSTEAD@TSKA.COM
[P] 775 501 6785

ELECTRICAL ENGINEER

JP ENGINEERING
10597 DOUBLE R BLVD., SUITE 1
RENO, NV 89521
[P] 775 852 2337 x237
[F] 775 852 2352

MECHANICAL ENGINEER

CR ENGINEERING
5434 LONGLEY LANE
RENO, NV 89511
[P] 775 826 1919



THESE DRAWINGS AND SPECIFICATIONS
ARE THE PROPERTY OF TATE SNYDER
KIMSEY ARCHITECTS AND MAY NOT BE
REPRODUCED OR USED FOR ANY
PURPOSE WITHOUT THE ARCHITECTS
WRITTEN CONSENT. AS INSTRUMENTS OF
SERVICE, THESE DOCUMENTS ARE NOT
FINAL AND READY FOR USE, AND
THEREFORE NOT VALID, UNLESS THEY ARE
SEALED, SIGNED AND DATED.
Copyright, Ltd 2015

Consultant

PLEASE RECYCLE

Project

**DCSO - RECORDS
RENOVATION**

1038 BUCKEYE ROAD
MINDEN, NV 89423

Job No: 20-052.00

Owner

DOUGLAS COUNTY

100%

Dec. 22, 2021

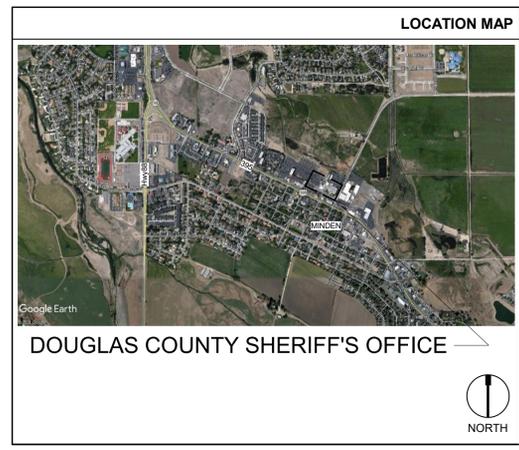
ABBREVIATIONS			
A		DWG.	Drawing
A.D.	Area Drain	DWR.	Drawer
A.V.	Audio/Visual	E	Existing
ACC.	Accessible	E	East
ACOUS.	Acoustical	E.I.F.S.	Exterior Insulation Finish System
ADJ.	Adjustable	E.J.	Expansion Joint
AGGR.	Aggregate	E.P.	Electrical Panelboard
AL.	Aluminum	E.P.D.M.	Single Ply Roof Membrane
APPROX.	Approximate	E.W.C.	Electric Water Cooler
ARCH	Architectural	EA	Each
ASPH.	Asphalt	ELEC.	Electrical
B		ELEV.	Elevation
B.O.F.	Bottom of Fixture	EMER.	Emergency
BD.	Board	ENCL.	Enclosure
BITUM.	Bituminous	EQ.	Equal
BLDG.	Building	EQUIP.	Equipment
BLK.	Block	EXIST.	Existing Exposed
BLKG.	Blocking	EXP.	Expansion
BM.	Beam	EXT.	Exterior
BOT.	Bottom	F	
C		F.A.	Fire Alarm
C.B.	Catch Basin	F.B.	Flat Bar
C.F.C.I.	Contractor Furnished Contractor Installed	F.D.	Floor Drain
C.F.O.I.	Contractor Furnished Owner Installed	F.E.	Fire Extinguisher
C.G.	Corner Guard	F.E.C.	Fire Extinguisher Cabinet
C.I.	Cast Iron	F.H.C.	Fire Hose Cabinet
C.J.	Control Joint	F.O.C.	Face of Concrete
C.M.U.	Concrete Masonry Unit	F.O.F.	Face of Finish
CAB.	Cabinet	F.O.S.	Face of Stud
CEM.	Cement	F.S.	Full Size
CER.	Ceramic	FDN.	Fountain
CLG.	Ceiling	FIN.	Finish
CLKG.	Caulking	FLASH.	Flashing
CLO.	Closet	FLOUR.	Flourescent
CLR.	Clear	FLR.	Floor
CNTR.	Counter	FPRF.	Fireproof
COL.	Column	FT.	Foot or Feet
CONC.	Concrete	FTG.	Footing
CONN.	Connection	FURR.	Furring
CONST.	Construction	FUT.	Future
CONT.	Continuous	G	
CORR.	Corridor	G.B.	Grab Bar
CPT.	Carpet	G.F.R.C.	Glass Fiber Reinforced Concrete
CT.	Ceramic Tile	GA.	Gauge
CTR.	Center	GALV.	Galvanized
CTSK.	Countersunk	GL.	Glass
D		GND.	Ground
D.F.	Drinking Fountain	GR.	Grade
D.O.	Door Opening	GYP.	Gypsum
D.S.P.	Dry Standpipe	H	
DBL.	Double	H.B.	Hose Bibb
DEPT.	Department	H.M.	Hollow Metal
DET.	Detail	HDWD.	Hardwood
DIA.	Diameter	HDWE.	Hardware
DIM.	Dimension	HGT.	Height
DISP.	Dispenser	HORIZ.	Horizontal
DN.	Down	HR.	Hour
DR.	Door	I	
DS.	Downspout	I.D.	Inside Diameter (Dim.)
		INSUL.	Insulation
		INT.	Interior
		J	
		JAN.	Janitor
		JT.	Joint
		K	
		KIT.	Kitchen
		L	
		LAB.	Laboratory
		LAM.	Laminate
		LAV.	Lavatory
		LKR.	Locker
		LT.	Light
		M	
		M.C.	Medicine Cabinet
		M.O.	Masonry Opening
		MAX.	Maximum
		MECH.	Mechanical
		MEMB.	Membrane
		MFGR.	Manufacturer
		MH.	Manhole
		MIN.	Minimum
		MIR.	Mirror
		MISC.	Miscellaneous
		MTD.	Mounted
		MTL.	Metal
		MUL.	Mullion
		N	
		N.	North
		N.I.C.	Not in Contract
		N.T.S.	Not to Scale
		NO. OR #	Number
		NOM.	Nominal
		O	
		O.A.	Overall
		O.C.	On Center
		O.D.	Outside Diameter (Dim.)
		O.F.C.I.	Owner Furnished Contractor Installed
		O.F.O.I.	Owner Furnished Owner Installed
		O.H.	Opposite Hand
		O.R.D.	Overflow Roof Drain
		OBS.	Obscure
		OFF.	Office
		OPNG.	Opening
		OPP.	Opposite
		P	
		P.LAM.	Plastic Laminate
		P.T.D.	Paper Towel Dispenser
		P.T.D./R.	Combination Paper Towel Dispenser and Receptacle
		P.T.R.	Paper Towel Receptacle
		PL.	Plate
		PLAS.	Plaster
		PLYWD.	Plywood
		PR.	Pair
		PRCST.	Pre-cast
		PT.	Point
		PTN.	Partition
		Q	
		Q.T.	Quarry Tile
		R	
		R.	Riser
		R.D.	Roof Drain
		R.O.	Rough Opening
		R.W.L.	Rain Water Leader
		RAD.	Radius
		REF.	Reference
		REFR.	Refrigerator
		REINF.	Reinforce
		REQD.	Required
		RESIL.	Resilient
		RGTR.	Register
		RM.	Room
		RRM.	Restroom
		RWD.	Redwood
		S	
		S.	South
		S.C.	Solid Core
		S.C.D.	Seat Cover Dispenser
		S.D.	Soap Dispenser
		S.N.D.	Sanitary Napkin Dispenser
		S.SK.	Service Sink
		SCHED.	Schedule
		SECT.	Section
		SH.	Shelf
		SHR.	Shower
		SHT.	Sheet
		SIM.	Similar
		SPEC.	Specification
		SQ.	Square
		SST.	Stainless Steel
		STA.	Station
		STD.	Standard
		STL.	Steel
		STO.	Storage
		STR.	Structural
		SUSP.	Suspended
		SYM.	Symmetrical
		T	
		T.&G.	Tongue and Groove
		T.B.	Towel Bar
		T.C.	Top of Curb
		T.O.W.	Top of Wall
		T.P.	Top of Pavement
		T.P.D.	Toilet Paper Dispenser
		T.V.	Television
		TEL.	Telephone
		TER.	Terazzo
		THK.	Thick
		TRD.	Tread
		TYP.	Typical
		U	
		U.N.O.	Unless Noted Otherwise
		UNIF.	Unfinished
		UR.	Urinal
		V	
		V.B.	Vapor Barriers
		V.C.G.	Vinyl Corner Guard
		V.T.	Varies
		VAR.	Vertical
		VEST.	Vestibule
		W	
		W.	West
		W.C.	Water Closet
		W/	With
		W/O	Without
		WD.	Wood
		WK.P.	Working Point
		WP.	Waterproof
		WSCT.	Wainscot
		WT.	Weight

CODE ANALYSIS	
APPLICABLE CODES	
<ul style="list-style-type: none"> 2018 International Building Code 2018 Uniform Mechanical Code 2018 Uniform Plumbing Code 2017 National Electrical Code 2018 International Fire Code 2016 ADA Standards for Accessible Design 2018 International Energy Conservation Code 	
DOUGLAS COUNTY DISTRICT COURT EAST FORK JUSTICE COURT C41, LEVEL 1 1625 8TH STREET, MINDEN, NV 89423	
ORIGINAL BUILDING WAS CONSTRUCTED IN 1982.	
ORIGINAL BUILDING DATA:	B (PRIMARY USE)
OCCUPANCY GROUP:	A-3 (COURTROOM)
CONSTRUCTION TYPE:	TYPE 1 (THROUGHOUT)
FLOOR AREA:	24,033 SF (1,340 SF OF WORK AREA)
FIRE SPRINKLERS:	EXISTING AUTOMATIC FIRE EXTINGUISHING SYSTEM TO REMAIN
HEIGHT:	34'-0" MAIN PORTION
OCCUPANCY LOADS:	82 JUSTICE COURT (WORK AREA)
BUILDING CODE DATA	
(ALL OCCUPANTS REMAIN AS EXISTING WITH NO CHANGE IN OCCUPANCY PROPOSED)	
OCCUPANCY:	A-3 (ASSEMBLY AREA - COURTROOM) B (BUSINESS GROUP B - CIVIC ADMINISTRATION)
EXISTING BUILDING AREA:	24,033 LEVEL 2 (NO WORK) 24,192 LEVEL 1 (WORK IS LIMITED TO RECORDS OFFICE AREA)
CONSTRUCTION TYPE:	TYPE 1-A THIS CONSTRUCTION TYPE ALLOWS THE USE OF ALL TYPES OF MATERIALS PERMITTED BY CODE, BOTH INCOMBUSTIBLE AND COMBUSTIBLE. ALL STRUCTURAL STEEL HAS SPRAY-ON FIRE PROTECTION.

SCOPE OF WORK	
RENOVATION OF 1,955 SF OF THE RECORDS DEPARTMENT ON LEVEL 1 OF THE DOUGLAS COUNTY SHERIFF OFFICE. THE WORK CONSISTS OF THE DEMOLITION OF NON-LOAD BEARING WALLS TO CREATE A NEW OPEN OFFICE, THREE (3) NEW SINGLE OCCUPANCY OFFICES AND AN ENLARGED CONFERENCE ROOM. THE OPEN OFFICE WILL CONTAIN WORKSTATIONS IN THE OPEN AREA AND PUBLIC FACING SECURABLE OVERHEAD COILING COUNTERS ALONG THE WEST WALL.	

DRAWING INDEX			
#	SHEET NAME	PERMIT ISSUE	BID ISSUED (DATE)
00	COVER SHEET		
01	GENERAL		
G0.00	GENERAL SHEET		
G1.00	GENERAL ACCESSIBILITY DETAILS		
G1.01	LEVEL 1 EGRESS PLAN		
02	SPECIFICATIONS		
A0.10	PROJECT SPECIFICATIONS		
A0.20	PROJECT SPECIFICATIONS		
A0.30	PROJECT SPECIFICATIONS		
A0.40	PROJECT SPECIFICATIONS		
A0.50	PROJECT SPECIFICATIONS		
A0.60	PROJECT SPECIFICATIONS		
A0.70	PROJECT SPECIFICATIONS		
04	ARCHITECTURAL DEMO		
AD1.01	OVERALL DEMOLITION FLOOR PLAN - LEVEL 1		
AD1.31	ENLARGED DEMOLITION PLANS - LEVEL 1		
05	ARCHITECTURAL		
A1.01	OVERALL FLOOR PLAN - LEVEL 1		
A1.21	ENLARGED FLOOR PLANS - LEVEL 1		
A2.31	PARTITION TYPES & DETAILS		
A2.41	TYPICAL DETAILS		
A2.42	TYPICAL DETAILS		
A3.01	REFLECTED CEILING PLAN LEVEL 1		
A5.01	INTERIOR ELEVATIONS & SECTION - RECORDS		
A6.01	EXTERIOR ELEVATIONS		
A7.01	BUILDING SECTIONS		
07	MECHANICAL		
M0.00	MECHANICAL LEGEND, SCHEDULES, NOTES, DETAILS		
M0.01	MECHANICAL SPECIFICATIONS		
M1.01	MECHANICAL OVERALL PLAN		
M1.02	MECHANICAL ZONING PLAN		
M1.21	MECHANICAL ENLARGED PLANS		
08	ELECTRICAL		
E0.1	SYMBOL LIST AND SPECIFICATIONS		
E0.2	ELECTRICAL SCHEDULES AND DETAILS		
E1.1	POWER AND SIGNAL PLAN - NEW AND DEMOLITION		
E1.2	ENLARGED DEMOLITION PLAN		
E2.1	OVERALL LEVEL 1 ELECTRICAL PLAN		
E2.2	ENLARGED POWER AND LIGHTING PLAN		

SYMBOL LEGEND					
	PROJECT NORTH				
	TRUE NORTH				
	NORTH				
	BENCHMARK				
	GRID LINE				
	LEVEL				
NOTE: 100' - 0" ELEVATION IS EQUAL TO FINISH FLOOR ELEVATION SHOWN ON CIVIL DRAWINGS.					
	ROOM TAG				
	ROOM NUMBER				
	LIFE SAFETY ROOM TAG				
	OCCUPANCY LOAD				
	OCCUPANCY FACTOR				
	SQUARE FOOTAGE				
	ROOM NUMBER				
	REVISION TAG				
	REVISION CLOUD				
	DIMENSION				
	NOTE: ALL DIMENSION ARE TO FACE OF STUD, U.N.O.				
	CENTER LINE AND SYMBOL				
	DATUM POINT				
	KEYNOTE				
	ACCESSORY TAG				
	EQUIPMENT TAG				
	FINISH TAG				
	CEILING TAG				
	DOOR TAG				
	WALL TAG				
	APPLIED WALL TREATMENT TAG				
	WINDOW TAG				
	GLAZING TAG				
MATERIALS LEGEND					
	EARTH		PLYWOOD		RIGID INSULATION
	CONCRETE		FINISH WOOD		THERMAL INSULATION
	MASONRY		ROUGH WOOD		ACOUSTIC INSULATION
	METAL		BLOCKING		



225 South Arlington Avenue ste. A
Reno NV, 89501
phone: 775.857.2949
fax: 775.857.2403
www.tska.com



THESE DRAWINGS AND SPECIFICATIONS ARE THE PROPERTY OF TATE SNYDER KIMSEY ARCHITECTS AND MAY NOT BE REPRODUCED OR USED FOR ANY PURPOSE WITHOUT THE ARCHITECTS WRITTEN CONSENT. AS INSTRUMENTS OF SERVICE, THESE DOCUMENTS ARE NOT FINAL AND READY FOR USE, AND THEREFORE NOT VALID, UNLESS THEY ARE SEALED, SIGNED AND DATED. Copyright, Ltd 2015

Consultant



Project
DCSO - RECORDS RENOVATION

1038 BUCKEYE ROAD
MINDEN, NV 89423

Job No: 20-052.00
Owner
DOUGLAS COUNTY

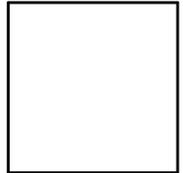
100%

REVISIONS	
REV	DESCRIPTION

Sheet Title
GENERAL SHEET

Date: Dec. 22, 2021
Sheet No:

GO.00



THESE DRAWINGS AND SPECIFICATIONS ARE THE PROPERTY OF TATE SNYDER KIMSEY ARCHITECTS AND MAY NOT BE REPRODUCED OR USED FOR ANY PURPOSE WITHOUT THE ARCHITECTS WRITTEN CONSENT. AS INSTRUMENTS OF SERVICE, THESE DOCUMENTS ARE NOT FINAL AND READY FOR USE, AND THEREFORE NOT VALID, UNLESS THEY ARE SEALED, SIGNED AND DATED. Copyright, Ltd 2015

Consultant

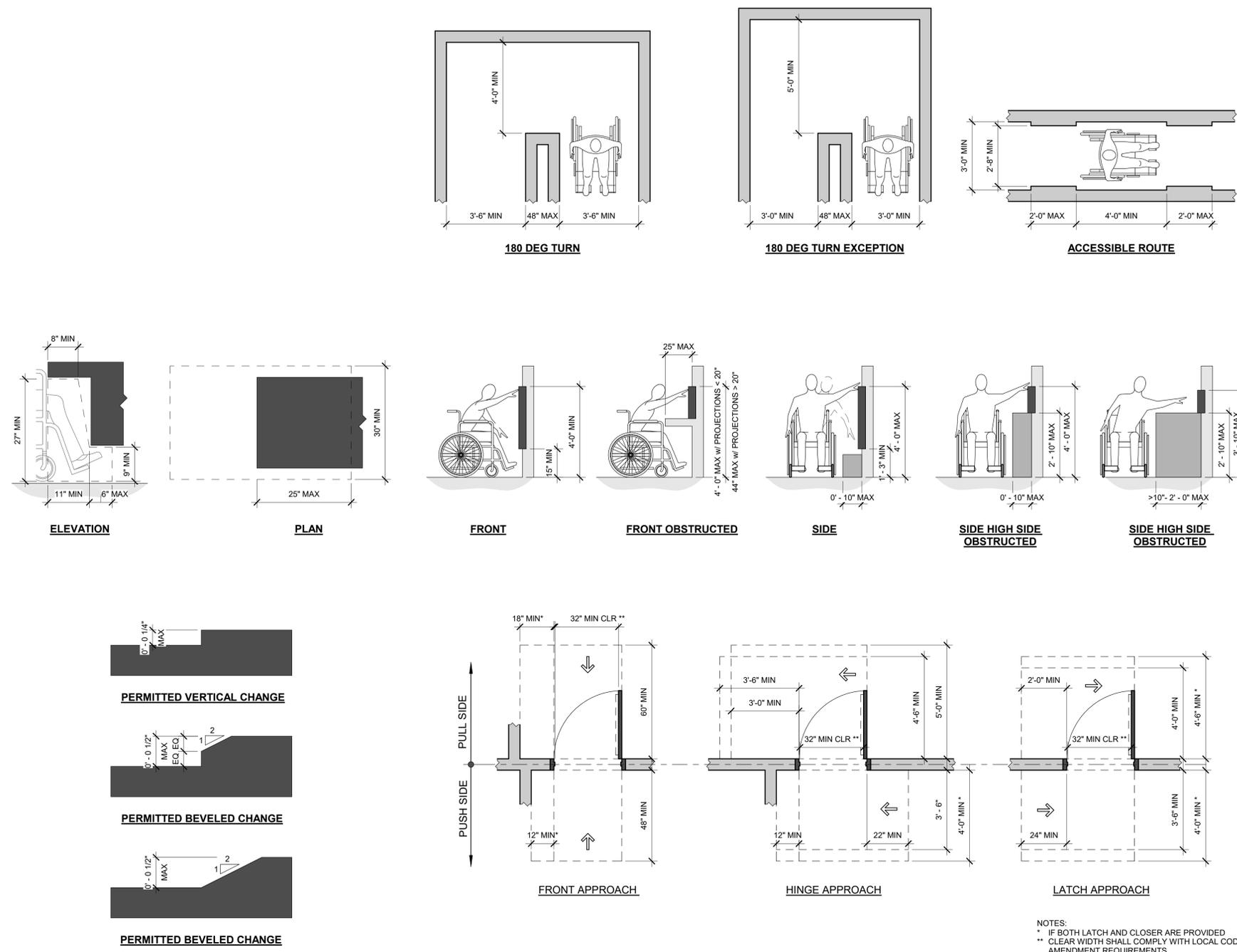
PLEASE RECYCLE

Project
DCSO - RECORDS RENOVATION

1038 BUCKEYE ROAD
 MINDEN, NV 89423

Job No: 20-052.00

Owner
DOUGLAS COUNTY



100%

REVISIONS		
REV	DATE	DESCRIPTION

Sheet Title
GENERAL ACCESSIBILITY DETAILS

Date: Dec. 22, 2021

Sheet No:

G1.00



THESE DRAWINGS AND SPECIFICATIONS ARE THE PROPERTY OF TATE SNYDER KIMSEY ARCHITECTS AND MAY NOT BE REPRODUCED OR USED FOR ANY PURPOSE WITHOUT THE ARCHITECTS WRITTEN CONSENT. AS INSTRUMENTS OF SERVICE, THESE DOCUMENTS ARE NOT FINAL AND READY FOR USE, AND THEREFORE NOT VALID, UNLESS THEY ARE SEALED, SIGNED AND DATED.
 Copyright, Ltd 2015

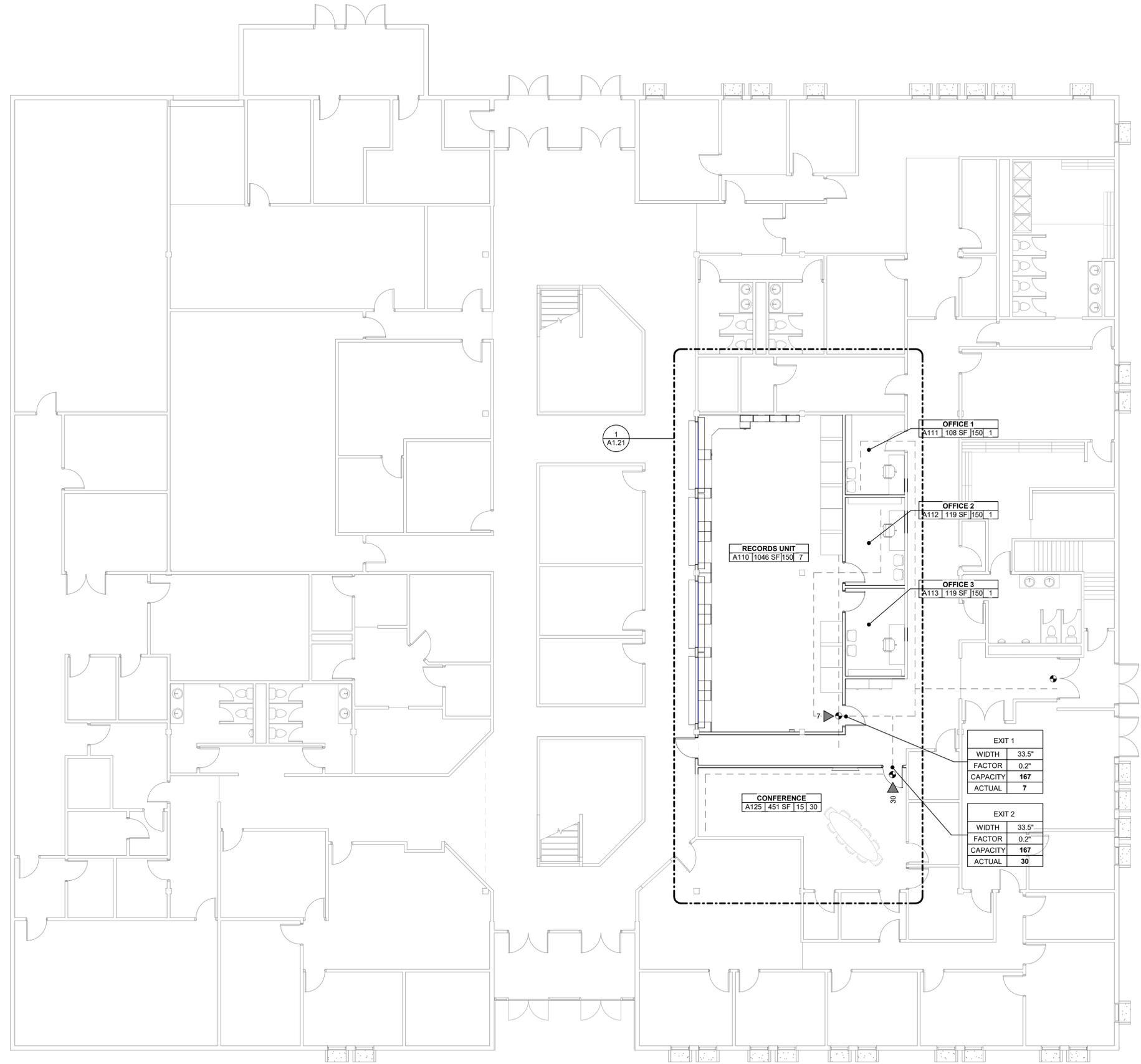
Consultant

PLEASE RECYCLE

Project
DCSO - RECORDS RENOVATION

1038 BUCKEYE ROAD
 MINDEN, NV 89423

Job No: 20-052.00
 Owner
DOUGLAS COUNTY



EXIT 1	
WIDTH	33.5"
FACTOR	0.2"
CAPACITY	167
ACTUAL	7

EXIT 2	
WIDTH	33.5"
FACTOR	0.2"
CAPACITY	167
ACTUAL	30



EXISTING ILLUMINATED EXIT SIGN

100%

REVISIONS		
REV	DATE	DESCRIPTION

Sheet Title
LEVEL 1 EGRESS PLAN

Date: Dec. 22, 2021
 Sheet No:

G1.01

1 EGRESS PLAN - LEVEL 1
 SCALE: 1/8" = 1'-0"



SECTION 012500 - SUBSTITUTION PROCEDURES

1.1 SUMMARY
Section Includes: Administrative and procedural requirements for substitutions.
DEFINITIONS
Substitutions: Changes in products, materials, equipment, and methods of construction from those required by the Contract Documents and proposed by Contractor.
SUBMITTALS
Substitution Requests: Submit (1) electronic copy of each request for consideration.
PART 3 - EXECUTION
SUBSTITUTION SUBMITTAL PROCEDURES
Document each request with complete data substantiating compliance of proposed substitution with Contract Documents.

SECTION 012600 - CONTRACT MODIFICATION PROCEDURES

1.1 SUMMARY
This Section specifies administrative and procedural requirements for handling and processing Contract modifications.
DEFINITIONS
Modification: A Modification is defined as one of the following: An Architect's Supplemental Instruction (ASI); Notice of Clarification; (NOC); A Change Order; (CO); A Construction Change Directive; (CCD); Or a written amendment to the Contract signed by Owner, Architect, and Contractor.
MINOR CHANGES IN THE WORK
Architect will issue supplemental instructions authorizing Minor Changes in the Work, not involving adjustment to the Contract Sum or the Contract Time in the form of an ASI.
CHANGE ORDER PROCEDURES
Owner-Initiated Change Order Requests: Architect will issue a detailed description of proposed changes in the Work that may require adjustment to the Contract Sum or the Contract Time.

SECTION 012613 - REQUEST FOR INFORMATION (CONTINUED)

1.1 SUMMARY
This Section specifies administrative and procedural requirements for handling and processing Contract modifications.
DEFINITIONS
Modification: A Modification is defined as one of the following: An Architect's Supplemental Instruction (ASI); Notice of Clarification; (NOC); A Change Order; (CO); A Construction Change Directive; (CCD); Or a written amendment to the Contract signed by Owner, Architect, and Contractor.
MINOR CHANGES IN THE WORK
Architect will issue supplemental instructions authorizing Minor Changes in the Work, not involving adjustment to the Contract Sum or the Contract Time in the form of an ASI.
CHANGE ORDER PROCEDURES
Owner-Initiated Change Order Requests: Architect will issue a detailed description of proposed changes in the Work that may require adjustment to the Contract Sum or the Contract Time.

SECTION 012613 - REQUEST FOR INFORMATION (CONTINUED)

1. Answered RFIs shall not be construed as an approval to perform the additional work.
2. Unanswered RFIs will be returned with a stamp or notation "Not Reviewed".
K. Contractor shall prepare and maintain a log of RFIs, and at any time requested by the Architect and Owner, Contractor shall furnish copies of the log showing outstanding RFIs.
L. It is the Contractor's responsibility to allow for a reasonable review period for each RFI.
1.4 ARCHITECT'S RESPONSE TO RFIS
Review Time: Architect will respond and return RFIs to Contractor within seven Working days of receipt.

SECTION 013000 - ADMINISTRATIVE REQUIREMENTS (CONTINUED)

1.1 SECTION INCLUDES
Project Meetings
1. Preconstruction meeting.
2. Site mobilization meeting.
3. Preinstallation Meetings.
4. Progress meetings.
1.2 PROJECT COORDINATION
Cooperate with the Owner's Project Manager in allocation of mobilization areas of site; for field offices and sheds, for site access, traffic, and parking, and for site security.
During construction, coordinate use of site and facilities through the Project Manager.

SECTION 013000 - ADMINISTRATIVE REQUIREMENTS (CONTINUED)

D. Reporting: Record minutes of the meeting.
1. Distribute copies within two days after meeting to participants, with 1 copy to Architect, Owner, participants, and those affected by decisions made.
E. Do not proceed with installation if the conference cannot be successfully concluded.
3.3 PROGRESS MEETINGS
Project Manager shall schedule and administer meetings throughout progress of the Work.
A. Project Coordinator shall make arrangements for meetings, prepare agenda with copies for participants, preside at meetings.
B. Attendance Required: Job superintendent, major SubContractors and suppliers, Owner, Architect, others as appropriate to agenda topics for each meeting.

SECTION 013000 - ADMINISTRATIVE REQUIREMENTS (CONTINUED)

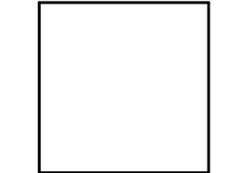
D. Reporting: Record minutes of the meeting.
1. Distribute copies within two days after meeting to participants, with 1 copy to Architect, Owner, participants, and those affected by decisions made.
E. Do not proceed with installation if the conference cannot be successfully concluded.
3.3 PROGRESS MEETINGS
Project Manager shall schedule and administer meetings throughout progress of the Work.
A. Project Coordinator shall make arrangements for meetings, prepare agenda with copies for participants, preside at meetings.
B. Attendance Required: Job superintendent, major SubContractors and suppliers, Owner, Architect, others as appropriate to agenda topics for each meeting.

SECTION 013000 - ADMINISTRATIVE REQUIREMENTS (CONTINUED)

D. Reporting: Record minutes of the meeting.
1. Distribute copies within two days after meeting to participants, with 1 copy to Architect, Owner, participants, and those affected by decisions made.
E. Do not proceed with installation if the conference cannot be successfully concluded.
3.3 PROGRESS MEETINGS
Project Manager shall schedule and administer meetings throughout progress of the Work.
A. Project Coordinator shall make arrangements for meetings, prepare agenda with copies for participants, preside at meetings.
B. Attendance Required: Job superintendent, major SubContractors and suppliers, Owner, Architect, others as appropriate to agenda topics for each meeting.



225 South Arlington Avenue ste. A
Reno NV, 89501
phone: 775.857.2949
fax: 775.857.2403
www.tska.com



THESE DRAWINGS AND SPECIFICATIONS ARE THE PROPERTY OF TATE SNYDER KIMSEY ARCHITECTS AND MAY NOT BE REPRODUCED OR USED FOR ANY PURPOSE WITHOUT THE ARCHITECTS WRITTEN CONSENT. AS INSTRUMENTS OF SERVICE, THESE DOCUMENTS ARE NOT FINAL AND READY FOR USE, AND THEREFORE NOT VALID, UNLESS THEY ARE SEALED, SIGNED AND DATED. Copyright, Ltd 2015

Consultant



Project
DCSO - RECORDS RENOVATION

1038 BUCKEYE ROAD
MINDEN, NV 89423

Job No: 20-052.00

Owner
DOUGLAS COUNTY

100%

Table with 3 columns: REV, DATE, DESCRIPTION. Header: REVISIONS

Sheet Title
PROJECT SPECIFICATIONS

Date: Dec. 22, 2021
Sheet No:

A0.10

SECTION 013300 - SUBMITTAL REQUIREMENTS

PART 1 GENERAL

1.1 SECTION INCLUDES

- A. Submittals:
1. Submittal Schedule.
2. Submittals for Review.
3. Submittals for Information.
4. Submittals for Project Closeout.
5. Number of copies of submittals.
6. Submittal procedures.

PART 2 PRODUCTS - NOT USED.

PART 3 EXECUTION

3.1 SUBMITTALS SCHEDULE

- A. After the General Contractor's Construction Schedule has been developed and accepted, prepare a complete schedule of submittals.
1. Two weeks after notice to proceed, General Contractor shall prepare the Submittals Requirements Schedule in detail:
a. Use one line per item for each section and paragraph number
b. Provide one copy for the Owner and one copy for the Architect of Record.
c. Obtain Architect of Record's and Project Manager's approvals
d. Coordinate the Submittal Schedule with the General Contractor's Construction Schedule, Schedule of Values, Subcontracts, list of products and other pertinent information.
e. Coordinate submittals into logical groupings to facilitate interrelation of several items:
a. Finishes which involve Architect of Record selection of colors, textures or patterns.
b. Associated items which require correlation for efficient function or for installation.
c. Provide:
1) All submittals required by a particular section at one time.
2) Shop drawings, schedules, product data, coordination drawings, samples, color charts and other information as required (whether listed or not) for Architect of Record's complete evaluation.
3) Dates the deferred submittal schedule.
d. Incomplete information or partial submittals will be cause for rejection.
4. Prepare the schedule in chronological order and provide the following:
a. Scheduled date for the initial submittal.
b. Section number per this specification.
c. Submittal category (Shop Drawing, Product Data or Sample).
d. Name of General Contractor.
e. Description of the part of the work covered by this submittal.
f. Date required for this submittal to be returned but not less than the stipulated date herein.

- B. After approval of the Submittal Schedule, distribute in print and electronically in pdf format to the Owner's representative, Architect, subcontractors and all other parties required to comply with the dates indicated in the Submittal Schedule.
1. Submit the Submittal Schedule within 10 days of the date required for submittal of the General Contractor's Construction Schedule.
C. Update and reissue the Submittal Schedule after revised dates, agreed upon by the affected parties, have been approved.
D. Submittal schedule shall be updated periodically to reflect changes in the construction schedule.

3.2 SUBMITTALS FOR REVIEW

- A. Submittals shall be numbered according to Architect's Project Manual of Specifications.
B. When the following are specified in individual sections, submit them for review:
1. Product data: Collect information into a single submittal for each element of construction and type of product or equipment.
a. Submittal only pages which are pertinent. Mark each copy of standard printed data to identify relevant products and the related Specification Section and Article Number.
b. Information must be specially prepared for submittal because standard published data are not suitable for use, submit as Shop Drawings, not as Product Data.
c. Mark each copy of each submittal to show which products and options are applicable.
2. Include the following information, as applicable:
a. Manufacturer's catalog cuts.
b. Manufacturer's product specifications.
c. Performance characteristics and capacities
d. Finishes:
1) Standard color charts.
e. Component parts
f. Statement of compliance with specified referenced standards.
g. Testing by recognized testing agency.
h. Application of testing agency labels and seals.
i. Notation of coordination requirements.
j. Other information as required by the individual specification sections
k. Availability and delivery time information.
3. For equipment, include the following in addition to the above, as applicable:
a. Wiring diagrams showing factory-installed wiring.
b. Printed performance curves.
c. Operational range diagrams.
d. Dimensions
e. Clearances required to other construction, if not indicated on accompanying Shop Drawings.
f. Modify manufacturer's standard schematic drawings and diagrams to supplement standard information and to provide information specifically applicable to the Work. Delete information that is not applicable.
g. Submit Product Data before or concurrent with Samples.
h. Submit Product Data in the following format:
1) PDF electronic file.
C. Shop drawings: Submit neatly prepared, print-specific information, drawn accurately to scale.
1. Do not reproduce Contract Documents or copy standard product information as the basis of Shop Drawings.
a. Submittals received on the Architect's Titleblock will be automatically rejected.
2. Present in a clear and thorough manner Job Specific shop drawings. (Generic shop drawings will be rejected.) Title each drawing sheet with Project Name and Number; identify each element of the drawings by reference to Sheet Number and Detail, Specification Section, Schedule or Room Number listed in the Contract Documents and CAD Standards Manual.
3. Standard information prepared without specific reference to the Project is not a Shop Drawing.
4. Identify field dimensions; show relation to adjacent or critical features of Work or Products.
5. Preparation: Fully illustrate requirements in the Contract Documents. Include the following information, as applicable:
a. Identification of products.
b. Schedules.
c. Compliance with specified standards.
d. Notation of coordination requirements.
e. Notation of dimensions established by field measurement.
f. Relationship and attachment to adjoining construction clearly indicated.
g. Seal and signature of professional engineer if specified.
6. Scale Required: Unless otherwise specifically directed by Architect of Record, make all shop drawings accurate to a scale sufficiently large enough to show all pertinent features of the item and its methods of connection to the Work.
7. Submit Shop Drawings in the following format:
a. PDF electronic file.
8. Provide a 5" x 4" blank space on each submittal sheet or sample label for Architect of Record's review stamp.

- D. Samples for Selection:
1. Provide 4 of each sample or color chart.
2. Submit full range of manufacturer's standard finishes, except when more restrictive requirements are specified, indicating colors, textures, and patterns, for Architect of Record's selection. ALL color charts shall be originals, no photocopies allowed.
3. Submit samples to illustrate functional characteristics of products, including parts and attachments.
4. Label each sample with Project Name and Number, Interior Design Specification Number (as applicable), and Room Number.
5. Mock-up: Provide field samples of finishes and assemblies at the site as required by individual specification sections.
a. Install each sample or assembly complete and finished.
b. Locate as directed by the Owner or Architect of Record.
c. Acceptable mock-up may or may not remain as part of the Work at the Architect of Record's discretion.

- E. Samples for Verification:
1. Provide 4 of each sample or color chart.
2. Submit full range of manufacturer's standard finishes, except when more restrictive requirements are specified, indicating colors, textures, and patterns, for Architect of Record's selection. ALL color charts shall be originals, no photocopies allowed.
3. Submit samples to illustrate functional characteristics of products, including parts and attachments.
4. Label each sample with Project Name and Number, Interior Design Specification Number (as applicable), and Room Number.

- F. Samples will be reviewed only for aesthetic, color, or finish selection.
1. Submit sample of material in size, finish, texture and color as required by the specific specification section and indicating the range of any variations that may occur.
G. After review, provide copies and distribute in accordance with Submittal Procedures article below and for record documents purposes described in Section 017800 - Closeout Procedures and Submittals
H. Fire Alarm/Fire Sprinkler System Shop Drawings shall be submitted to submittal to the Architect whose approval shall be obtained prior to the submittal to the state and local Fire Marshall.

3.3 SUBMITTALS FOR INFORMATION:

- A. When the following are specified in individual sections, submit them for information:
1. Design data.
2. Certificates.
3. Test reports.
4. Inspection reports.
5. Manufacturer's instructions.
6. Manufacturer's field reports.
7. Other types indicated.
B. Submit for Architect's knowledge as Contract Administrator or for Owner. No action will be taken.

3.4 SUBMITTALS FOR PROJECT CLOSEOUT:

- A. Submit for Owner's benefit during and after project completion and in accordance with Section 017800 - Closeout Procedures and Submittals.

SECTION 013300 - SUBMITTAL REQUIREMENTS (CONTINUED)

- B. When the following are specified in individual sections, submit them at project closeout:
1. Project record documents.
2. Operation and maintenance data.
3. Transportation & Bonds.
4. Other types as indicated.
3.5 NUMBER OF COPIES OF SUBMITTALS
A. Documents: Submit one electronic copy in PDF format; an electronically-marked up file will be returned. Create PDFs at native size and right-side up; illegible files will be rejected.
B. Documents for Information: Submit one electronic copy to Architect of Record.
C. Extra Copies at Project Closeout: See Section 017800 - Closeout Procedures and Submittals. Make one reproduction of submittal originally reviewed. Submit one extra of submittals for information.
D. Samples: Submit the number specified in individual specification sections or (4) of each if no specific number is specified in the specific section; one of which will be retained by Architect.
1. After review, produce duplicates.
2. Retained copies will not be returned to Contractor unless specifically so stated.

3.6 SUBMITTAL PROCEDURES

- A. General Submittal Procedure Requirements: Prepare and submit submittals required by individual Specification Sections. Types of submittals are indicated in individual Specification Sections.
B. Schedule submittals to expedite the Project and coordinate submission of related items. The General Contractor is solely responsible for coordinating the delivery of submittals, including any necessary corrections and resubmittals, to assure that Architect of Record approval can be obtained without delaying the Work. The General Contractor shall start the submittal process within three weeks after award or as required to meet the Contract Schedule requirements.
C. General: Electronic copies of the digital files of the Construction Documents may be made available by the Architect for the General Contractor's use in the preparation of the Submittals. The Architect nor the General Contractor shall be obligated to use such documents in the preparation of the Submittals.
1. Transfer of the digital files from the Architect to the General Contractor shall be subject to the Terms and Conditions of a Digital File Transfer Agreement at the time of such transfer.
2. The use of the digital files prepared by the Architect in the preparation of the Shop Drawings shall not in any way obviate the recipient's responsibility for the proper checking and coordination of dimensions, field conditions, details, member sizes, gauges, quantities, and any other condition as required to facilitate complete and accurate fabrication and erection.
D. Transmit each submittal with approved form.
E. Sequentially number the transmittal form. Revise submittals with original number and a sequential alphabetic suffix.
F. Identify Project Manager, Contractor, Subcontractor or supplier; pertinent drawing and detail number; and specification section number, as appropriate on each copy.
G. Apply Contractor's stamp, signed or initialed certifying that review, approval, verification of Products required, field dimensions, adjacent construction Work, and coordination of information is in accordance with the requirements of the Work and Contract Documents.
H. General Contractor Review:
1. Review submittals (prior to sending to Architect of Record) to determine and verify field measurements, field construction criteria, manufacturer's catalog numbers, and conformance of submittal with requirements of Contract Documents.
2. Identify variations from Contract Documents and Product or system limitations which may be detrimental to successful performance of the completed Work.
3. Coordinate submittals with requirements of Work and Contract Documents.
4. Sign or initial each sheet of shop drawings and product data or each sample label to certify compliance with the requirements of Contract Documents using a submittal stamp with the following information incorporated:
a. General Contractor Submittal Approval
b. By making this Submittal No. (Insert General Contractor's Name) does hereby approve said submittal and does certify that it has determined and verified all materials, field measurements and field construction criteria related thereto, and has checked and coordinated the information within this submittal with the requirements of the Work and Contract Documents.
c. Signed for the General Contractor: _____ Date: _____

- I. Submittal Mark-ups:
1. Submittals shall be marked-up as follows:
a. Contractor Comments: Make all Contractor comments in "Blue" ink.
b. Design Team will make all comments in "Red" ink.
J. Identify Project number, General Contractor, Subcontractor or supplier; pertinent drawing and detail number, and specification section number, as appropriate on each copy. Architect will not review submittals that do not bear the General Contractor's approval stamp and will return them without action.
K. Apply General Contractor's stamp, signed or initialed certifying that review, approval, verification of Products required, field dimensions, adjacent construction Work, and coordination of information is in accordance with the requirements of the Work and Contract Documents.
L. All submittals NOT made through the General Contractor will be rejected.
M. The Architect will return unsolicited submittals without action.
N. No portion of the Work which requires a shop drawing or sample submission shall be commenced until the submission has been reviewed and returned as approved by Architect of Record.
O. Deliver physical submittals to Architect at business address.
P. For each submittal for the initial review, allow 10 days excluding delivery time to and from the Contractor.
1. For concurrent review of submittals by Consultants, Owner and other parties, allow 5 additional days excluding time to and from the Contractor.
2. Extension of review time shall not constitute a basis to automatically extend the Contract time.

- Q. For each resubmittal, allow for 10 days excluding time to and from the General Contractor.
R. Submittals and Samples shall be submitted in a timely manner to allow for resubmittal and not cause a delay in the Work.
S. Identify variations from Contract Documents and Product or system limitations that may be detrimental to successful performance of the completed Work.
T. Provide space of approximately 5" x 4" for Contractor and Architect review stamps.
1. General Contractor shall include the following information on label for processing and recording action taken:
a. Project name.
b. Date.
c. Project number.
d. Name and address of Architect.
e. Name and address of General Contractor.
f. Name and address of Subcontractor.
g. Name and address of Supplier.
h. Name of Manufacturer.
i. Unique identifier, including revision number(s).
j. Number and title of appropriate Specification Section.
k. Drawing number and detail references, as appropriate.
l. Other necessary identification.
2. Architect shall mark the action stamp indicating the action taken.

- U. When revised for resubmission, identify all changes made since previous submission.
1. The General Contractor shall make any corrections required by the Architect of Record and resubmit.
a. The General Contractor shall direct specific attention in writing or on the resubmitted shop drawings to revisions other than the correction(s) required by Architect of Record on previous submissions.
b. When revised for resubmission, identify all changes made since previous submission.
c. The revised submittal will be identified with the original submittal number plus a suffix to mark it as a resubmittal, i.e. 099900.001-R1, 099900.001a or 099900.001A. If not so identified, the resubmittal will be returned as revise and resubmit with the proper number.
d. Should the Contractor's resubmittals be returned as Revise and Re-submit after (3) reviews by the Architect; any further reviews may be processed by the Architect, at the Architect's standard hourly rate. The Architect will charge the Owner, and such costs will be deducted from monies still due the Contractor. The Architect will notify the Owner and Contractor prior to the processing of deficient Submittals.

- V. Distribute reviewed submittals as appropriate. Instruct parties to promptly report any inability to comply with requirements.
W. Electronic submittals must be provided in a Portable Document Format (.pdf) file when submitted electronically.
1. Prepare file for submittal by converting it to PDF using BlueBeam Revu, latest version. Legible scanned PDF files of plain paper documents are acceptable, but PDF sets created by electronically converting files using BlueBeam Revu are preferable. Scanned documents are more difficult to annotate, are usually less legible, and produce larger attachment sizes.
2. Ensure that sheets are ready to print out to a PDF format on the appropriate sheet size, with no additional formatting required by the viewer, and with all required information.
3. The option in BlueBeam Revu to print "Documents and MarkUps" in the "Print What" drop down list on the "Print" options window must be chosen to correctly see all applicable information in the request answer. This will ensure all pertinent information is printed if the document is printed.
4. Electronic signatures and stamps must be utilized on electronic submittals where signatures and stamps are required in Section 3.1 Submittal Schedule Items A.1-4 and Section 3.6 Submittal Procedures items A-W above.

- X. Substitutions will not be considered when they are indicated or implied on shop drawings, product data submittals or samples without a separate written request complying to the requirement in Section 012500 - Substitution Procedures.
Y. Maintain one (1) set of all approved submittals at the Project Site in the General Contractors office.

END OF SECTION 013300

SECTION 016000 - PRODUCT REQUIREMENTS

PART 1 GENERAL

1.1 SECTION INCLUDES

- A. Re-use of existing products.
B. Transportation, handling, storage and protection.
C. Product option requirements.
D. Procedures for Owner-supplied products.
E. Maintenance materials, including extra materials, spare parts, tools, and software.
1.2 DEFINITIONS
A. Products: Items obtained for incorporating into the Work, whether purchased for Project or taken from previously purchased stock. The term "product" includes the terms "material," "equipment," "system," and terms of similar intent.
1. Named Products: Items identified by manufacturer's product name, including make or model number or other designation shown or listed in manufacturer's published product literature, that is current as of date of the Contract Documents.
2. New Products: Items that have not previously been incorporated into another project or facility. Products salvaged or recycled from other projects are not considered new products.
3. Comparable Product: Product that is demonstrated and approved through submittal process to have the indicated qualities related to type, function, dimension, in-service performance, physical properties, appearance, and other characteristics that equal or exceed those of specified product.
B. Basis-of-Design Product Specification: A specification in which a specific manufacturer's product is named and accompanied by the words "basis-of-design product," including make or model number or other designation, to establish the significant qualities related to type, function, dimension, in-service performance, physical properties, appearance, and other characteristics for purposes of evaluating comparable products of additional manufacturers named in the specification.

1.3 SUBMITTALS

- A. Refer to Section 013300 - Submittal Requirements, for additional submittal requirements.
B. Proposed Products List: Submit list of major products proposed for use, with name of manufacturer, trade name, and model number of each product.
1. Submit within 15 days after date of Agreement.
2. For products specified only by reference standards, list applicable reference standards.
C. Product Data Submittals: Submit manufacturer's standard published data. Mark each copy to identify applicable products, models, options, and other data. Supplement manufacturers' standard data to provide information specific to this Project.
D. Shop Drawing Submittals: Prepared specifically for this Project, indicate utility and electrical characteristics, utility connection requirements, and location of utility equipment and appliances.
E. Sample Submittals: Illustrate functional and aesthetic characteristics of the product, with integral parts and attachment devices. Coordinate sample submittals for interfacing work.
1. For selection from standard finishes, submit samples of the full range of the manufacturer's standard colors, textures, and patterns.
F. Indicate utility and electrical characteristics, utility connection requirements, and location of utility outlets for service for functional equipment and appliances.

1.4 QUALITY ASSURANCE

- A. Compatibility of Options: If Contractor is given option of selecting between two or more products for use on Project, select product compatible with products previously selected, even if previously selected products were also Options.
1. Each contractor is responsible for providing products and construction methods compatible with products and construction methods of other contractors.
2. If a dispute arises between contractors over concurrently selectable but incompatible products, Architect will determine which products shall be used.
B. Reused Products: Materials and equipment previously used in this or other construction, salvaged and refurbished as specified.
1. Wood fabricated from timber abandoned in transit after harvesting is considered reused, not recycled.
2. Acceptable Evidence: Information about the origin or source, from Contractor or supplier.

1.5 PRODUCT DELIVERY, STORAGE, AND HANDLING

- A. Deliver, store, and handle products using means and methods that will prevent damage, deterioration, and loss, including theft and vandalism. Comply with manufacturer's written instructions.
B. Delivery and Handling:
1. Schedule delivery to minimize long-term storage at Project site and to prevent overcrowding of construction spaces.
2. Coordinate delivery with installation time to ensure minimum holding time for items that are flammable, hazardous, easily damaged, or sensitive to deterioration, theft, and other losses.
3. Deliver products to Project site in an undamaged condition in manufacturer's original sealed container or other packaging system, complete with labels and instructions for handling, storing, unpacking, protecting, and installing.
4. Inspect products on delivery to determine compliance with the Contract Documents and to determine that products are undamaged and properly protected.
C. Storage:
1. Store products to allow for inspection and measurement of quantity or counting of units.
2. Store materials in a manner that will not endanger Project structure.
3. Store products that are subject to damage by the elements, under cover in a weathertight enclosure above ground, with ventilation adequate to prevent condensation.
4. Protect foam plastic from exposure to sunlight, except to extent necessary for period of installation and concealment.
5. Comply with product manufacturer's written instructions for temperature, humidity, ventilation, and weather-protection requirements for storage.
6. Protect stored products from damage and liquids from freezing.
7. Provide a secure location and enclosure at Project site for storage of materials and equipment by Owner's construction forces. Coordinate location with Owner.

1.6 PRODUCT WARRANTIES

- A. Submittal Time: Comply with requirements in Section 017800 - Closeout Procedures and Submittals.
B. Warranties specified in other Sections shall be in addition to, and run concurrent with, other warranties required by the Contract Documents. Manufacturer's disclaimers and limitations on product warranties do not relieve Contractor of obligations under requirements of the Contract Documents. Refer to Section 017336 - Warranties and Bonds.
1. Manufacturer's Warranty: Written warranty furnished by individual manufacturer for a particular product and specifically endorsed by manufacturer to Owner.
2. Special Warranty: Written warranty required by the Contract Documents to provide specific rights for Owner.
C. Special Warranties: Prepare a written document that contains appropriate terms and identification, ready for execution.
1. Manufacturer's Standard Form: Modified to include Project-specific information and properly executed.
2. Specified Form: When specified forms are included with the Specifications, prepare a written document using indicated form properly executed.
3. See other Sections for specific content requirements and particular requirements for submitting special warranties.

PART 2 PRODUCTS

2.1 EXISTING PRODUCTS

- A. Do not use materials and equipment removed from existing premises unless specifically required or permitted by Contract Documents.
B. Unforeseen historic items encountered remain the property of the Owner; notify Owner promptly upon discovery; protect, remove, handle, and store as directed by Owner.
C. Existing materials and equipment indicated to be removed, but not to be re-used, relocated, reinstalled, delivered to the Owner, or otherwise indicated as to remain the property of the Owner, become the property of the Contractor; remove from site.
D. Reused Products: Reused products include materials and equipment previously used in this or other construction, salvaged and refurbished as specified.
E. Specific Products to be Reused: The reuse of certain materials and equipment already existing on the project site is required.
1. See drawings for list of items required to be salvaged for reuse and relocation.
2. If reuse of other existing materials or equipment is desired, submit substitution request.

2.2 NEW PRODUCTS

- A. Provide new products unless specifically required or permitted by Contract Documents.
B. Use of products having any of the following characteristics is not permitted:
1. Made using or containing CFC's or HCFC's.
2. Made of wood from newly cut old growth timber.
3. Containing lead, cadmium, or asbestos.
C. Where other criteria are met, Contractor shall give preference to products that:
1. If used on interior, have lower emissions, as defined in Section 016116.
2. If wet-applied, have lower VOC content, as defined in Section 016116.
3. Are extracted, harvested, and/or manufactured closer to the location of the project.
4. Have longer documented life span under normal use.
5. Result in less construction waste. See Section 017419
6. Are made of vegetable materials that are rapidly renewable.
7. Are made of recycled materials.
8. If made of wood, are made of sustainably harvested wood, wood chips, or wood fiber.
9. If bio-based, other than wood, are or are made of Sustainable Agriculture Network certified products.
D. Provide interchangeable components of the same manufacture for components being replaced.
E. Wiring Terminations: Provide terminal lugs to match branch circuit conductor quantities, sizes, and materials indicated. Size terminal lugs to NFPA 70, include lugs for terminal box.
F. Cord and Plug: Provide minimum 6 foot cord and plug including grounding connector for connection to electric wiring system. Cord of longer length is specified in individual specification sections.

2.3 PRODUCT OPTIONS

- A. General Product Requirements: Provide products that comply with the Contract Documents, are undamaged and, unless otherwise indicated, are new at time of installation.
1. Provide products complete with accessories, trim, finish, fasteners, and other items needed for a complete installation and indicated use and effect.
2. Standard Products: If available, and unless custom products or nonstandard options are specified, provide standard products of types that have been produced and used successfully in similar situations on other projects.
3. Owner reserves the right to limit selection to products with warranties not in conflict with requirements of the Contract Documents.
4. Where products are accompanied by the term "as selected," Architect will make selection.
5. Descriptive, performance, and reference standard requirements in the Specifications establish equal characteristics of products.
6. Or Equal: For products specified by name and accompanied by the term "or equal," or "or approved equal," or "or approved," comply with requirements in "Comparable Products" Article to obtain approval for use of an unnamed product.
B. Products specified by stating that the Contract Documents are based on a Product by a single manufacturer followed by the statement "Equivalent products by the following manufacturers are acceptable":
1. Select the specified Product or a Product by a named manufacturer having equivalent or superior characteristics to the specified Product and meeting the requirements of the Contract Documents.

SECTION 016000 - PRODUCT REQUIREMENTS (CONTINUED)

- 2. If the specified Product is not selected, submit Product Data to substantiate compliance of proposed Product with specified requirements.
3. The specified Product establishes the required standard of quality.
C. Visual Matching Specification: Where Specifications require "match Architect's sample", provide a product that complies with requirements and matches Architect's sample. Architect's decision will be final on whether a proposed product matches.
1. If no product available within specified category matches and complies with other specified requirements, comply with requirements in Article 3.01 of this Specification.
D. Visual Selection Specification: Submit the phrase "as selected by Architect from manufacturer's full range" or similar phrase, select a product that complies with requirements. Architect will select color, gloss, pattern, density, or texture from manufacturer's product line that includes both standard and premium items.
E. Products specified by naming one Product followed by the statement "Substitutions: Not permitted": Substitutions will not be allowed.
F. Products Specified by Reference Standards or by Description Only: Use any product meeting those standards or description.
1. Select any Product meeting the specified standard.
2. Submit Product Data to substantiate compliance of proposed Product with specified requirements.
G. Products Specified by Naming One or More Manufacturers: Use a product of one of the manufacturers named and meeting specifications, no options or substitutions allowed.
H. Products Specified by Naming One or More Manufacturers with a Provision for Substitutions: Submit a request for substitution for any manufacturer not named.
I. Products specified by required performance or attributes, without naming a manufacturer or Product:
1. Select any Product meeting specified requirements.
2. Submit Product Data to substantiate compliance of proposed Product with specified requirements.

2.4 SPARE PARTS AND MAINTENANCE MATERIALS

- A. Furnish extra materials, spare parts, tools, and software of types and in quantities specified in individual specification sections.
B. Deliver to Project site and by the Contractor; obtain receipt prior to final payment.

PART 3 EXECUTION

3.1 SUBSTITUTION PROCEDURES - REFER TO SECTION 012500 - SUBSTITUTION PROCEDURES.

3.2 OWNER-FURNISHED PRODUCTS

- A. Refer to Section 014216 - Definitions for specific requirements for:
1. OWNER FURNISHED - OWNER INSTALLED (OF/OI) products.
2. OWNER FURNISHED - CONTRACTOR INSTALLED (OF/OI) products.
B. Owner's Responsibilities:
1. Arrange for and deliver Owner reviewed shop drawings, product data, and samples, to Contractor.
2. Arrange and pay for product delivery to site.
3. On delivery, inspect products jointly with Contractor.
4. Submit claims for transportation damage and replace damaged, defective, or deficient items.
5. Arrange for manufacturers' warranties, inspections, and service.
C. Contractor's Responsibilities:
1. Contractor shall provide a written schedule to the Owner indicating when the Owner Furnished items must be received at the project site to insure the Project completion in accordance with the established schedule. Such dates shall be shown on the schedule.
2. Review Owner reviewed shop drawings, product data, and samples.
3. Receive and unload products at site; inspect for completeness or damage jointly with Owner.
4. Handle, store, install and finish products.
5. Repair or replace items damaged after receipt.

3.3 TRANSPORTATION AND HANDLING

- A. Package products for shipment in manner to prevent damage; for equipment, package to avoid loss of factory calibration.
B. If special precautions are required, attach instructions prominently and legibly on outside of packaging.
C. Coordinate schedule of product delivery to designated prepared areas in order to minimize site storage time and potential damage to stored materials.
D. Transport and handle products in accordance with manufacturer's instructions.
E. Transport materials in covered trucks to prevent contamination of product and littering of surrounding areas.
F. Promptly inspect shipments to ensure that products comply with requirements, quantities are correct, and products are undamaged.
G. Provide equipment and personnel to handle products by methods to prevent soiling, disfigurement, or damage, and to minimize handling.
H. Arrange for the return of packing materials, such as wood pallets, where economically feasible.

3.4 STORAGE AND PROTECTION

- A. Designate receiving/storage areas for incoming products so that they are delivered according to installation schedule and placed convenient to work areas in order to minimize waste due to excessive materials handling and misapplication. See Section 017419.
B. Store and protect products in accordance with manufacturers' instructions.
C. Store with seals and labels visible, intact and legible.
D. Store sensitive products in weathertight, climate-controlled enclosures in an environment favorable to product.
E. For exterior storage of fabricated products, place on sloped supports above ground.
F. Provide off-site storage and protection when site does not permit on-site storage or protection.
G. Protect products from damage or deterioration due to construction operations, weather, precipitation, humidity, temperature, sunlight and ultraviolet light, dirt, dust, and other contaminants.
H. Comply with manufacturer's warranty conditions, if any.
I. Cover products subject to deterioration with impervious sheet covering. Provide ventilation to prevent condensation and degradation of products.
J. Store loose granular materials on solid flat surfaces in a well-drained area. Prevent mixing with foreign matter.
K. Prevent contact with material that may cause corrosion, discoloration, or staining.
L. Provide equipment and personnel to store products by methods to prevent soiling, disfigurement, or damage.
M. Arrange storage of products to permit access for inspection. Periodically inspect to verify products are undamaged and are maintained in acceptable condition.

END OF SECTION 016000



225 South Arlington Avenue ste. A
Reno NV, 89501
phone: 775.857.2949
fax: 775.857.2403
www.tska.com



THESE DRAWINGS AND SPECIFICATIONS ARE THE PROPERTY OF TATE SNYDER KIMSEY ARCHITECTS AND MAY NOT BE REPRODUCED OR USED FOR ANY PURPOSE WITHOUT THE ARCHITECTS WRITTEN CONSENT. AS INSTRUMENTS OF SERVICE, THESE DOCUMENTS ARE NOT FINAL AND READY FOR USE, AND THEREFORE NOT VALID, UNLESS THEY ARE SEALED, SIGNED AND DATED. Copyright, Ltd 2015

Consultant



Project

DCSO - RECORDS RENOVATION

1038 BUCKEYE ROAD
MINDEN, NV 89423

Job No: 20-052.00

Owner

DOUGLAS COUNTY

100%

Table with 3 columns: REV, DATE, DESCRIPTION. Header row: REVISIONS. Below are several empty rows for revisions.

Sheet Title
PROJECT SPECIFICATIONS

Date: Dec. 22, 2021

Sheet No:

A0.20



225 South Arlington Avenue ste. A
Reno NV, 89501
phone: 775.857.2949
fax: 775.857.2403
www.tska.com



THESE DRAWINGS AND SPECIFICATIONS ARE THE PROPERTY OF TATE SNYDER KIMSEY ARCHITECTS AND MAY NOT BE REPRODUCED OR USED FOR ANY PURPOSE WITHOUT THE ARCHITECTS WRITTEN CONSENT. AS INSTRUMENTS OF SERVICE, THESE DOCUMENTS ARE NOT FINAL AND READY FOR USE, AND THEREFORE NOT VALID, UNLESS THEY ARE SEALED, SIGNED AND DATED. Copyright, Ltd 2015

Consultant



Project

DCSO - RECORDS RENOVATION

1038 BUCKEYE ROAD
MINDEN, NV 89423

Job No: 20-052.00

Owner

DOUGLAS COUNTY

100%

REVISIONS		
REV	DATE	DESCRIPTION

Sheet Title

PROJECT SPECIFICATIONS

Date: Dec. 22, 2021

Sheet No:

A0.30

SECTION 017329 - CUTTING AND PATCHING (CONTINUED)

1.4 QUALITY ASSURANCE

- A. Structural Elements: Do not cut and patch structural elements without written approval from Structural Engineer.
- B. Miscellaneous Elements: Do not cut and patch the following elements or related components in a manner that could change their load-carrying capacity, reduce their capacity to perform as intended, or that results in increased maintenance or decreased operational life or safety. Other construction elements include but are not limited to the following:
 1. Water, moisture, or vapor barriers.
 2. Joint material.
 3. Membranes and flashings.
 4. Exterior curtain-wall construction.
 5. Equipment supports.
 6. Piping, ductwork, vessels, and equipment.
 7. Noise-and vibration-control elements and systems.
 8. Handrails and fences.
- C. Visual Requirements: Do not cut and patch construction in a manner that results in visual evidence of cutting and patching. Do not cut and patch construction exposed on the exterior or in occupied spaces in a manner that would, in Architect's opinion, reduce the building's aesthetic qualities. Remove and replace construction that has been cut and patched in a visually unsatisfactory manner.

1.5 PAYMENT FOR COSTS

- A. Cost caused by ill-timed or defective Work or Work not conforming to Contract Documents, including costs for additional services of Architect and Engineer to be paid by Contractor.
- B. Cost of Work done on written instructions of Architect, other than defective or nonconforming Work, will be paid by Owner on approval by the Owner, on approval of written Change Order. Provide written cost proposals prior to proceeding with cutting and patching proposed by Architect.

1.6 WARRANTY

- A. See Section 017836 -- Warranties and Bonds; for additional warranty requirements.
- B. Existing Warranties: Remove, replace, patch, and repair materials and surfaces cut or damaged during installation or cutting and patching operations, by methods and with materials so as not to void existing warranties.

PART 2 PRODUCTS

2.1 MATERIALS

- A. General: Comply with requirements specified in other Sections of these Specifications.
- B. Provide for replacement of Work removed.
- C. Where required patch materials are not specified, use materials which will result in equal or better work than work being cut and patched in terms of performance characteristics and visual effects.
- D. In-Place Materials: Use materials for patching identical to in-place materials. For exposed surfaces, use materials that visually match in-place adjacent surfaces to the fullest extent possible.
 1. If identical materials are unavailable or cannot be used, use materials that, when installed, will provide a match acceptable to the Architect for the visual and functional performance of in-place materials.
- E. Compound Applied to Core-Drilled Surfaces and Cut Concrete Surfaces:
 1. After core-drilling and before installing the utility or equipment through the penetration, coat exposed concrete and steel with solvent-free, two-component, epoxy protective coating.
 2. Product and Manufacturer: Provide one of the following:
 - a. Sikagard 62, by Sika Corporation.
 - b. Or approved equal.
- F. Product Substitution: For any proposed change in materials, submit request for substitution described in Section 012500.

PART 3 EXECUTION

3.1 EXAMINATION

- A. Inspect existing conditions of Work, including elements subject to movement or damage during cutting and patching, and excavating and backfilling. Examine surfaces to be cut and patched and conditions under which cutting and patching are to be performed.
- B. Compatibility: Before patching, verify compatibility with and suitability of substrates, including compatibility with existing finishes or primers.
- C. Proceed with installation only after unsafe or unsatisfactory conditions have been corrected.
- D. Report unsatisfactory or questionable conditions in writing to Owner and Architect and Engineer. Do not proceed with work until further instructions are received.

3.2 PREPARATION

- A. Contractors shall be responsible for exact location and size of all holes, sleeves, and openings required to be cut, formed, built-in or necessary for their work.
 - B. Temporary Support: Provide shoring, bracing and supports as necessary to maintain structural integrity of work.
 - C. Protection: Protect existing construction during cutting and patching to prevent damage. Provide protection from adverse weather conditions for portions of Project that might be exposed during cutting and patching operations.
 - D. Adjoining Areas: Avoid interference with use of adjoining areas or interruption of free passage to adjoining areas.
- 3.3 PERFORMANCE**
- A. General: Employ skilled workers to perform cutting and patching. Proceed with cutting and patching at the earliest feasible time, and complete without delay.
 1. Cut existing construction to provide for installation of other components or performance of other construction, and subsequently patch as required to restore surfaces to their original condition.
 2. Execute fitting and adjustment of products to provide a finished installation to comply with specified products, functions, tolerances and finishes as shown on Drawings and as specified.
 3. Fit Work airtight to pipes, sleeves, ducts, conduit and other penetrations through surfaces. Conform to fire code requirements for penetrations and maintain integrity of fire walls and ceilings.
 4. Restore Work which has been cut or removed. Install new products to provide completed Work in accordance with requirements of Contract Documents and as required to match surrounding areas and surfaces.
 - B. Cutting: Cut existing construction by sawing, drilling, breaking, chipping, grinding, and similar operations, including excavation, using methods least likely to damage elements retained or adjoining construction. If possible, review proposed procedures with original Installer, comply with original Installer's written recommendations.
 1. In general, use hand or small power tools designed for sawing and grinding, not hammering and chipping.
 2. Cut holes and slots as small as possible, neatly to size required, and with minimum disturbance of adjacent surfaces. Temporarily cover openings when not in use.
 3. Existing Finished Surfaces: Cut out from the exposed or finished side into concealed surfaces.
 4. Mechanical and Electrical Services: Cut off pipe or conduit in walls or partitions to be removed. Cap, valve, or plug and seal remaining portion of pipe or conduit to prevent entrance of moisture or other foreign matter after cutting.
 5. Proceed with patching after construction operations requiring cutting are complete.
 6. Patching: Patch construction by filling, repairing, refinishing, closing up, and similar operations following performance of other Work. Patch with durable seams that are as invisible as possible. Provide materials and comply with installation requirements specified in other Sections of these Specifications.
 7. Inspection: Where feasible, test and inspect patched areas after completion to demonstrate integrity of installation.
 8. Exposed Finishes: Restore exposed finishes of patched areas and extend finish restoration into retained adjoining construction in a manner that will eliminate evidence of patching and refinishing.
 9. Floors and Walls: Where walls or partitions that are removed extend one finished area into another, patch and repair floor and wall surfaces in the new space. Provide an even surface of uniform finish, color, texture, and appearance. Remove existing floor and wall coverings and replace with new materials, if necessary, to achieve uniform color and appearance.
 10. Ceilings: Patch, repair, or rehang existing ceilings as necessary to provide an even-plane surface of uniform appearance.
 11. Exterior Building Enclosure: Patch components in a manner that restores enclosure to a weathertight condition.
 - C. Floor Finishes:
 1. Cut back and reinstall including carpeting and pad to accommodate installation of doors and trim. Provide new tack strips, trim and padding as required for a complete and finished installation.
 - D. Electrical: Extend existing electrical devices where application of new drywall or installation of new duct enclosures is required. Devices include lights, fans, receptacles, switches, telephone jacks, cable TV jacks, thermostats, smoke detectors, audio jacks and other electrical systems. Provide new plaster rings, boxes and wiring as needed and in conformance with electrical codes.
 - E. Drywall: Patch drywall with new materials to provide a level surface with texture to match adjacent surface. Use metal trim at corners. Where drywall butts dissimilar materials, use metal "LC" trim that is taped into drywall leaving a finished appearance with no metal showing. Use perforated joint tape and ready mixed joint compound on joints. Plaster: Provide an even surface of uniform finish, color, texture, and appearance. Match texture of adjacent surface. Remove existing wall coverings and replace with new materials, if necessary, to achieve uniform color and appearance.
 - G. Stucco: Mix and apply stucco in two coats to match existing texture. Provide new wire lath and corner beads if required by conditions. If existing stucco is an integral color material provide new stucco in matching integral color.
 - H. Painting: Where patching occurs in a painted surface, apply primer and intermediate paint coats over the patch and apply final paint coat over entire wall surface containing the patch to the edges of natural breaks. Provide additional coats until patch blends with adjacent surfaces.
 - I. Existing Hardware Removal: Where existing window and door frames remain in openings that have new products installed, complete the following:
 1. Remove existing hardware and hardware parts which are no longer in use.
 2. Patch holes remaining after removal. Fill holes more than 1/4 inch deep with wood infill, glued in place. Holes less than 1/4 inch deep may be filled with wood or with spackle.
 3. Patch to blend with existing surface. Sand smooth and paint to match.

3.4 CLEANING

- A. Refer also to Section 017300 - Execution Requirements for final cleaning requirements.
 - B. Cleaning and Restoration:
 1. Clean areas and spaces where cutting, coring, or patching were performed.
 2. Clean piping, conduit, and similar constructions before applying paint or other finishing materials.
 3. Restore damaged coverings of pipe and other utilities to original condition.
- END OF SECTION 017329**

SECTION 017300 - EXECUTION REQUIREMENTS (CONTINUED)

- 6. Installed Work: Keep installed work clean. Clean installed surfaces according to written instructions of manufacturer or fabricator of product installed, using only cleaning materials specifically recommended. If specific cleaning materials are not recommended, use cleaning materials that are not hazardous to health or property and that will not damage exposed surfaces.
- 7. Concealed Spaces: Remove debris and rubbish from pipe chases, plenums, attics, crawl spaces, and other closed or remote spaces, prior to enclosing the space.
- 8. Waste Disposal: Burying or burning waste materials on-site will not be permitted. Washing waste materials down sewers or into waterways will not be permitted.
- 9. During handling and installation, clean exposed construction in progress and adjoining materials already in place. Apply protective covering where required to ensure protection from damage or deterioration at Substantial Completion.
- 10. Clean and provide maintenance on completed construction as frequently as necessary through the remainder of the construction period. Adjust and lubricate operative components to ensure operability without damaged effects.
- 11. Limiting Exposures: Supervise construction operations to assure that no part of the construction completed or in progress, is subject to harmful, dangerous, damaging, or otherwise deleterious exposure during the construction period.
- 12. Collect and remove waste materials, debris, and trash/rubbish from site periodically and dispose off-site; do not burn or bury.

3.6 STARTING AND ADJUSTING

- A. Start equipment and operating components to confirm proper operation. Remove malfunctioning units, replace with new units, and retest.
- B. Adjust operating components for proper operation without binding. Adjust equipment for proper operation.
- C. Test each piece of equipment to verify proper operation. Test and adjust controls and safeties. Replace damaged and malfunctioning controls and equipment.

3.7 CORRECTION OF THE WORK

- A. Repair or remove and replace defective construction. Restore damaged substrates and finishes. Comply with requirements in Section 017329 - Cutting and Patching.
 1. Repairing includes replacing defective parts, refinishing damaged surfaces, touching up with matching materials, and properly adjusting operating equipment.
 2. Restore permanent facilities used during construction to their specified condition.
 3. Remove and replace damaged surfaces that are exposed to view if surfaces cannot be repaired without visible evidence of repair.
 4. Repair components that do not operate properly. Remove and replace operating components that cannot be repaired.
 5. Remove and replace chipped, scratched, and broken glass or reflective surfaces.

3.8 DEMONSTRATION AND INSTRUCTION

- A. Demonstrate operation and maintenance of products to Owner's personnel two weeks prior to date of Substantial Completion.

3.9 PROTECTION OF INSTALLED WORK

- A. Protect installed work from damage by construction operations.
- B. Provide special protection where specified in individual specification sections.
- C. Provide temporary and removable protection for installed products. Control activity in immediate work area to prevent damage.
- D. Provide protective coverings at walls, projections, jambs, sills, and soffits of openings.
- E. Protect finished floors, stairs, and other surfaces from traffic, dirt, wear, damage, or movement of heavy objects, by protecting with durable sheet materials.
- F. Prohibit traffic or storage upon waterproofed or roofed surfaces. If traffic or activity is necessary, obtain recommendations for protection from waterproofing or roofing material manufacturer.
- G. Remove protective coverings when no longer needed; reuse or recycle plastic coverings if possible.

3.10 ADJUSTING

- A. Adjust operating products and equipment to ensure smooth and unhindered operation.
- B. Testing, adjusting, and balancing HVAC systems: Refer to Drawings.

3.11 FINAL CLEANING

- A. General: Perform final cleaning. Conduct cleaning and waste-removal operations to comply with local laws and ordinances and Federal and local environmental and antipollution regulations.
- B. Execute final cleaning prior to Substantial Completion.
 1. Clean areas to be occupied by Owner prior to final completion before Owner occupancy.
 2. Use cleaning materials that are nonhazardous.
- C. Clean interior glass, surfaces exposed to view; remove temporary labels, stains and foreign substances, polish transparent and glossy surfaces, vacuum carpeted and soft surfaces.
- D. Remove all labels that are not permanent. Do not paint or otherwise cover fire test labels or nameplates on mechanical and electrical equipment.
- F. Remove tools, construction equipment, machinery, and surplus material from Project site.
- G. Clean exposed exterior and interior hard-surfaced finishes to a dirt-free condition, free of stains, films, and similar foreign substances.
 1. Avoid disturbing natural weathering of exterior surfaces.
 2. Restore reflective surfaces to their original condition.
- H. Remove debris and surface dust from limited access spaces, including plenums, shafts, equipment vaults, and similar spaces.
- I. Sweep concrete floors broom clean in unoccupied spaces.
- J. Vacuum carpet and similar soft surfaces, removing debris and excess nap; clean according to manufacturer's recommendations if visible soil or stains remain.
- K. Clean transparent materials, including mirrors and glass in doors and windows. Remove glazing compounds and other noticeable, vision-obscuring materials. Polish mirrors and glass, taking care not to scratch surfaces.
- L. Clean equipment and fixtures to a sanitary condition with cleaning materials appropriate to the surface and material being cleaned.
- M. Replace filters of operating equipment. Clean exposed surfaces of diffusers, registers, and grills.
- N. Clean ducts, blowers, and coils if units were operated without filters during construction or that display contamination with particulate matter on inspection.
 1. Clean HVAC system in compliance with NADCA Standard; 2013. Provide written report on completion of cleaning.
- O. Clean plumbing fixtures to a sanitary condition, free of stains, including stains resulting from water exposure.
- P. Clean debris from roofs, gutters, downspouts, and drainage systems.
- Q. Clean site; sweep paved areas, rake clean landscaped surfaces.
- R. Clean light fixtures, lamps, globes, and reflectors to function with full efficiency.
- S. Remove waste, surplus materials, trash/rubbish, and construction facilities from the site; dispose of in legal manner; do not burn or bury.
- T. Clean Owner-occupied areas of work.
- U. Provide Project Manager with clean materials' MSDS sheets.

3.12 MAINTENANCE

- A. Provide service and maintenance of components indicated in specification sections.
- B. Maintenance Period: As indicated in specification sections or, if not indicated, not less than one year from the Date of Substantial Completion or the length of the specified warranty, whichever is longer.
- C. Examine system components at a frequency consistent with reliable operation. Clean, adjust, and lubricate as required.
- D. Include systematic examination, adjustment, and lubrication of components. Repair or replace parts whenever required. Use parts produced by the manufacturer of the original component.
- E. Maintenance service shall not be assigned or transferred to any agent or subcontractor without prior written consent of the Owner.

END OF SECTION 017300

SECTION 017329 - CUTTING AND PATCHING

PART 1 GENERAL

1.1 SUMMARY

- A. This section specifies the cutting and patching of nominally completed and/or previously existing work in order to accommodate the coordination of Work, to install other Work, to uncover other Work for access or inspection, to obtain samples for testing, or for similar purposes; and excludes integral cutting and patching during the manufacturing, fabricating, erecting, and installing of individual units of Work, including attendant excavation and backfill necessary to complete the Work.
- B. Refer to other sections of the Specifications for specific cutting and patching requirements and limitations applicable to individual units of work.
 1. Comply with NFPA 51B standard for fire prevention in use of cutting and welding processes.

1.2 DEFINITIONS

- A. Cutting: Removal of existing construction necessary to permit installation or performance of other Work.
- B. Patching: Fitting and repair work required to restore surfaces to original conditions after installation of other Work.

1.3 SUBMITTALS

- A. See Section 013300 - Submittal Requirements, for submittal procedures.
- B. Minimum 2 week notification in advance of executing any cutting or alterations, submit written request(s) to the Owner for consent to proceed with cutting which affects:
 1. Work of Owner or other trades.
 2. Structural value or integrity of any element of the Project.
 3. Integrity or effectiveness of weather exposed or moisture resistant elements or systems.
 4. Efficiency, operational life, maintenance or safety of operational elements.
 5. Visual qualities of sight exposed elements.
 6. Owner operations.
- C. Product Data:
 1. Submit manufacturer's product data for the protective compound to be applied to core-drilled surfaces and cut concrete surfaces
- D. Cutting and Patching Proposal: Submit a proposal describing procedures at least 10 days before the time cutting and patching will be performed, requesting approval to proceed. Include the following information:
 1. Necessity: Describe why cutting and patching cannot be avoided.
 2. Changes to Existing Construction: Describe anticipated results. Include changes to structural elements and operating components as well as changes in building's appearance and other significant visual elements.
 3. Description of proposed Work:
 - a. Scope of cutting, patching, alteration, or excavation.
 - b. Trades which will execute Work.
 - c. Products proposed to be used.
 - d. Extent of refinishing to be done.
 4. Dates: Indicate when cutting and patching will be performed.
 5. Utilities: List utilities that cutting and patching procedures will disturb or affect. List utilities that will be relocated and those that will be temporarily out of service. Indicate how long service will be disrupted.
 6. Structural Elements: Where cutting and patching involve adding reinforcement to structural elements, submit details and engineering calculations showing integration of reinforcement with original structure.
 7. Cost proposal, when applicable.
 8. Written permission of trades whose Work will be affected.
 9. Architects Approval: Obtain approval of cutting and patching proposal before cutting and patching. Approval does not waive right to later require removal and replacement of unsatisfactory work.

SECTION 017300 - EXECUTION REQUIREMENTS

PART 1 GENERAL

1.1 SUMMARY

- A. Section includes: General procedural requirements governing execution of the Work including, but not limited to, the following:
 1. General installation of products.
 2. Progress cleaning.
 3. Starting and adjusting.
 4. Protection of installed construction.
 5. Correction of the Work.
 6. Adjustment of the Work.
 7. Final Cleaning
 8. General requirements for maintenance service.

1.2 REFERENCE STANDARDS

- A. NFPA 241 - Standard for Safeguarding Construction, Alteration, and Demolition Operations.

1.3 SUBMITTALS

- A. See Section 013300 - Submittal Requirements, for submittal procedures.
- B. Certificates: Submit certificate signed by land surveyor or professional engineer certifying that location and elevation of improvements comply with requirements.
- C. Landfill Receipts: Submit copy of receipts issued by a landfill facility, licensed to accept hazardous materials, for hazardous waste disposal.
- D. Project Record Documents: Accurately record actual locations of capped and active utilities.

1.4 QUALIFICATIONS

- A. For field engineering, employ a professional engineer of the discipline required for specific service on Project, licensed in Nevada.

PROJECT CONDITIONS

- A. Ventilate enclosed areas to assist cure of materials, to dissipate humidity, and to prevent accumulation of dust, fumes, vapors, or gases.
- B. Dust Control: Execute work by methods to minimize raising dust from construction operations. Provide positive means to prevent air-borne dust from dispersing into atmosphere and over adjacent property.
 1. Provide dust-proof enclosures to prevent entry of dust generated outdoors.
 2. Provide dust-proof barriers between construction areas and areas continuing to be occupied by Owner.
- C. Noise Control: Provide methods, means, and facilities to minimize noise produced by construction operations.
 1. At All Times: Excessively noisy tools and operations will not be tolerated inside the building at any time of day; excessively noisy includes jackhammers.
 2. Outdoors: Limit conduct of noisy exterior work to hours approved by the Owner's Representative. Indoors: Limit conduct of noisy interior work to hours approved by the Owner's Representative.

1.6 COORDINATION

- A. Verify all dimensions and conditions at the site.
- B. Coordinate the Work of this section with all trades.
- C. Coordinate scheduling, submittals, and work of the various sections of the Project Manual to ensure efficient and orderly sequence of installation of interdependent construction elements, with provisions for accommodating items installed later.
- D. Notify affected utility companies and comply with their requirements.
- E. Verify that utility requirements and characteristics of new operating equipment are compatible with building utilities. Coordinate work of various sections having interdependent responsibilities for installing, connecting to, and placing in service, such equipment.
- F. Coordinate space requirements, supports, and installation of mechanical and electrical work that are indicated diagrammatically on Drawings. Follow routing shown for pipes, ducts, and conduit, as closely as practicable; place runs parallel with lines of building. Utilize spaces efficiently to maximize accessibility for other installations, for maintenance, and for repairs.
- G. In finished areas except as otherwise indicated, conceal pipes, ducts, and wiring within the construction. Coordinate locations of fixtures and outlets with finish elements.
- H. Coordinate completion and clean-up of work of separate sections.
- I. After Owner occupancy of premises, coordinate access to site for correction of defective work and work not in accordance with Contract Documents, to minimize disruption of Owner's activities.
- J. All work, including materials and workmanship, shall conform to the requirements of applicable local codes, laws, ordinances, the adopted building codes, ANSI A117.1 - Guidelines for Accessible & Useable Buildings and Facilities, and ADAAG - ADA Accessibility Guidelines for Buildings & Facilities.

PART 2 PRODUCTS

2.1 MATERIALS

- A. Cleaning Agents: Use cleaning materials and agents recommended by manufacturer or fabricator of the surface to be cleaned. Do not use cleaning agents that are potentially hazardous to health or property or that might damage finished surfaces.
 1. Use cleaning products that comply with Green Seal's GS-37, or if GS-37 is not applicable, use products that comply with the maximum allowable VOC levels.

PART 3 EXECUTION

3.1 EXAMINATION

- A. Existing Conditions: The existence and location of site improvements, utilities, and other construction indicated as existing are not guaranteed. Before beginning work, investigate and verify the existence and location of mechanical and electrical systems and other construction affecting the Work.
- B. Before construction, verify the location and points of connection of utility services.
- C. Existing Utilities: The existence and location of underground and other utilities and construction indicated as existing are not guaranteed. Before beginning sitework, investigate and verify the existence and location of underground utilities and other construction affecting the Work.
 1. Furnish location data for work related to Project that must be performed by public utilities serving Project site.
- D. Acceptance of Conditions:
 1. Examine substrates, areas, and conditions, with Installer or Applicator present where indicated, for compliance with requirements for installation tolerances and other conditions affecting performance. Record observations. Start of work means acceptance of existing conditions.
 2. Prior to Cutting: Examine existing conditions prior to commencing work, including elements subject to damage or movement during cutting and patching. After uncovering existing work, assess conditions affecting performance of work. Beginning of cutting or patching means acceptance of existing conditions.
- E. Verify compatibility with and suitability of substrates, including compatibility with existing finishes or primers.
- F. Verify that existing substrate is capable of structural support or attachment of new work being applied or attached.
- G. Examine and verify specific conditions described in individual specification sections.
- H. Take field measurements before confirming product orders or beginning fabrication, to minimize waste due to over-ordering or mis-fabrication.
- I. Examine roughing-in for mechanical and electrical systems to verify actual locations of connections before equipment and fixture installation.
- J. Proceed with installation only after unsatisfactory conditions have been corrected. Proceeding with the Work indicates acceptance of surfaces and conditions.
- K. Notify Owner and Architect of discrepancies prior to commencement of Work.

3.2 PREINSTALLATION CONFERENCES - REFER TO SECTION 013000 - ADMINISTRATIVE REQUIREMENTS.

3.3 PREPARATION

- A. Existing Utility Information: Furnish information to local utility and Owner that is necessary to adjust, move, or relocate existing utility structures, utility poles, lines, services, or other utility appurtenances located in or affected by construction. Coordinate with authorities having jurisdiction.
- B. Field Measurements: Take field measurements as required to fit the Work properly. Recheck measurements before installing each product. Where portions of the Work are indicated to fit to other construction, verify dimensions of other construction by field measurements before fabrication. Coordinate fabrication schedule with construction progress to avoid delaying the Work.
- C. Space Requirements: Verify space requirements and dimensions of items shown diagrammatically on Drawings.
- D. Review of Contract Documents and Field Conditions: Immediately on discovery of the need for clarification of the Contract Documents, submit a request for information to Architect. Include a detailed description of problem encountered, together with recommendations for changing the Contract Documents.

3.4 INSTALLATION

- A. General: Locate the Work and components of the Work accurately, in correct alignment and elevation, as indicated.
 1. Make vertical work plumb and make horizontal work level, unless otherwise indicated.
 2. Where space is limited, install components to maximize space available for maintenance and ease of removal for replacement.
 3. Conceal pipes, ducts, and wiring in finished areas, unless otherwise indicated.
- B. Install products as specified in individual sections, in accordance with manufacturer's instructions and recommendations, and so as to avoid waste due to necessity for replacement.
- C. Comply with manufacturer's written instructions and recommendations for installing products in applications indicated.
- D. Install products at the time and under conditions that will ensure the best possible results. Maintain conditions required for product performance until Substantial Completion.
- E. Conduct construction operations so no part of the Work is subjected to damaging operations or loading in excess of that expected during normal conditions of occupancy.
- F. Anchors and Fasteners: Provide anchors and fasteners as required to anchor each component securely in place, accurately located and aligned with other portions of the Work.
 1. Mounting Heights: Where mounting heights are not indicated, mount components at heights directed by Architect.
 2. Allow for building movement, including thermal expansion and contraction.
 3. Joints: Make joints of uniform width. Where joint locations in exposed work are not indicated, arrange joints for the best visual effect. Fit exposed connections together to form hairline joints.
 4. Hazardous Materials: Use products, cleaners, and installation materials that are not considered hazardous.
- G. Install equipment and fittings plumb and level, neatly aligned with adjacent vertical and horizontal lines, unless otherwise indicated.
- H. Make consistent texture on surfaces, with seamless transitions, unless otherwise indicated. Make neat transitions between different surfaces, maintaining texture and appearance.

3.5 PROGRESS CLEANING

- A. General: Clean Project site and work areas daily, including common areas. Coordinate progress cleaning for joint-use areas where more than one installer has worked. Enforce requirements strictly. Dispose of materials lawfully.
 1. Comply with requirements in NFPA 241 for removal of combustible waste materials and debris.
 2. Do not hold materials more than 7 days during normal weather or 3 days if the temperature is expected to rise above 60 deg F.
 3. Containerize hazardous and unsanitary waste materials separately from other waste. Mark containers appropriately and dispose of legally, according to regulations.
 4. Site: Maintain Project site free of waste materials and debris.
 5. Work Areas: Clean areas where work is in progress to the level of cleanliness necessary for proper execution of the Work.
 - a. Remove liquid spills promptly.
 - b. Where dust would impair proper execution of the Work, broom-clean or vacuum the entire work area, as appropriate.

SECTION 017800 - CLOSEOUT PROCEDURES AND SUBMITTALS

1.1 GENERAL
PART 1 SECTION INCLUDES
A. Administrative and procedural requirements for contract closeout including, but not limited to the following: (as part of Set of Manuals & Documents for Commissioning process) Inspection procedures including Pre-Functional Checklists and Pre-Substantial Completion.
B. Project record documents.
C. Operation and maintenance data.
D. Substantial completion procedures.
E. Closeout requirements for specific construction activities are included in the appropriate Sections in Divisions 1 through 48 and shall be coordinated with this Section.
1.2 SUBMITTALS
A. See Section 013300 - Submittal Requirements, for submittal procedures.
B. Project Record Documents: Submit documents to Architect with claim for final Application for Payment.
1. Provide duplicate, notarized copies of the documents required in the Final Completion and Final Payment article of the General Conditions.
C. Operation and Maintenance Data:
1. Submit two copies of preliminary draft or proposed formats and outlines of contents before start of Work. Architect will review draft and return one copy with comments.
2. For equipment or component put into service during construction and operated by Owner, submit completed documents within ten days after acceptance.
3. Submit one copy of completed documents 15 days prior to final inspection. This copy will be reviewed and returned after final inspection, with Architect comments. Revise content of all document sets as required prior to final submission.
4. Submit final sets of revised final documents in final form within 10 days after final inspection.
1.3 SUBSTANTIAL COMPLETION
A. Definition: Substantial Completion is that condition which occurs when the Owner accepts the certification of the Architect that construction is sufficiently complete in accordance with the Contract Documents so that the Project may be occupied for the use for which it is intended.
B. Contractor Notifications: When Contractor considers work substantially complete, and after the building commissioning and training, submit written declaration to the Architect that Work or designated portion thereof, is substantially complete. Include list of items to be completed or corrected.
C. Preliminary Procedures: Before requesting inspection for determining date of Substantial Completion, complete the following:
1. List items below that are incomplete with request.
2. Prepare a list of items to be completed and corrected (Contractor's punch list), the value of items on the list, and reasons why the Work is not complete.
3. Advise Owner of pending insurance changeover requirements.
4. Submit specific warranties, workmanship bonds, maintenance service agreements, final certifications, and similar documents.
5. Obtain and submit releases permitting Owner unrestricted use of the Work and access to services and utilities. Include occupancy permits, operating certificates, and similar re-leases.
6. Certificates of Release: Obtain and submit releases from authorities having jurisdiction permitting Owner unrestricted use of the Work and access to services and utilities. Include occupancy permits, operating certificates, and similar releases.
7. Prepare and submit: Completed Commissioning Manual including but not limited to - Summary by specification # Record of Approved Submittals and Samples, Project Record Documents (including but not limited to As-Built Record Drawings, As-Built Record Specifications, Operating and Maintenance Manuals, Certification of No Asbestos Products Incorporated in Work, Completed Punch Lists, final completion construction photographic documentation, damage or settlement surveys, property surveys, and similar final record information.
8. Make final changeover of permanent locks and deliver keys to Owner. Advise Owner's personnel of changeover in security provisions.
9. Complete startup testing of systems.
10. Submit test/adjust/balance records and Specification compliant Final Report.
11. Terminate and remove temporary facilities from Project site, along with muckups, construction tools, and similar elements.
12. Advise Owner of changeover in heat and other utilities.
13. Submit changeover information related to Owner's occupancy, use, operation, and maintenance.
14. Complete final cleaning requirements, including touchup painting.
15. Touch up and otherwise repair and restore marred exposed finishes to eliminate visual defects. If 100 percent completion cannot be shown, include a list of incomplete items, the value of incomplete construction, and reasons the Work is not complete.
16. Prior to preliminary Substantial Completion and Inspection - Submit:
a. Operating and Maintenance Data
b. Keys and keying schedule
c. Guarantees, Warranties and Bonds
d. Completed pre-substantial completion checklists
D. Preliminary Inspection: Architect will make a preliminary inspection within 7 business days after receipt of Contractor's declaration.
E. Submit a written request for inspection for Substantial Completion. Upon receipt of request, Construction Manager will either proceed with inspection or notify Contractor of unfulfilled requirements. Architect will prepare the Certificate of Substantial Completion (A.A. Document G704 or similar, after inspection or will notify Contractor of items, either on Contractor's list or additional items identified by Architect, that must be completed or corrected before certificate will be issued.
1. Re-inspection: Request re-inspection when the Work identified in previous inspections as incomplete is completed or corrected.
2. Results of completed inspection will form the basis of requirements for final completion.
F. Upon determining that Work is substantially complete, Architect will:
1. Punch List: Prepare a punch list of items to be completed or corrected, as determined by the inspection.
2. Organization of List: Include name and identification of each space and area affected by construction operations for incomplete items and items needing correction including, if necessary, areas disturbed by Contractor that are outside the limits of construction.
a. Organize list of spaces in sequential order, starting with exterior areas first and proceeding from lowest floor to highest floor.
b. Include the following information at the top of each page:
1) Project name.
2) Date.
3) Name of Architect and Construction Manager.
4) Name of Contractor.
5) Page number.
c. Submit list of incomplete items in the following format:
1) PDF electronic file.
2) Certificate: Prepare and process a certificate of substantial completion, containing:
a. Date of substantial completion.
b. Punchlist of items to be completed or corrected.
c. The time within which punchlist items shall be completed or corrected.
d. Date and time the Owner will take occupancy of Project or designated portion thereof.
e. Responsibilities of Owner and Contractor for:
1) Insurance.
2) Utilities.
3) Operation and maintenance of mechanical, electrical and other systems.
4) Maintenance and cleaning.
5) Security.
f. Signatures of:
1) Architect.
2) General Contractor.
3) Owner.
4) Prime Contractor.
G. Contractor is responsible for the following:
1. Corrections: Complete all Work listed for completion or correction within designated time.
2. Final Cleaning: Perform final cleaning.
H. Occupancy: Using Ager or will occupy Project or designated portions thereof under provisions stated in the Certificate of Substantial Completion.
I. Complete All Work: At time of inspection, should substantial completion not be certified, Contractor shall complete the Work and resubmit declaration in accordance with the requirements of this Section.
1.4 FINAL ACCEPTANCE
A. Preliminary Procedures: Before requesting final inspection for determining final completion, complete the following:
1. Submit the final payment request with releases and supporting documentation not previously submitted and accepted. Include insurance certificates for products and complete operations where required.
2. Submit an updated final statement, accounting for final additional changes to the Contract Sum.
3. Submit certified copy of the Architect's final inspection list of items to be completed or corrected, endorsed and dated by the Architect. The certified copy of the list shall state that each item has been completed or otherwise resolved for acceptance and shall be endorsed and dated by the Architect.
4. Submit consent of surety to final payment.
5. Submit evidence of final, continuing insurance coverage complying with insurance requirements.
6. Submit pest-control final inspection report and warranty.
7. Instruct Owner's personnel in operation, adjustment, and maintenance of products, equipment, and systems.
B. Final Inspection: Submit a written request for final inspection for acceptance. On receipt of request, Architect and Construction Manager will either proceed with inspection with Contractor or/and as appropriate notify Contractor of unfulfilled requirements to ensure completion of all Contract requirements.
C. Closeout Documents: Architect will prepare and process closeout documents when all Work is considered finally complete in accord with Contract Document requirements including all Deliverable Documentation.
D. Architect will prepare a final Certificate for Payment after inspection or will notify Contractor of construction that must be completed or corrected before certificate will be issued.
E. Re-inspection Procedure:
1. The Architect will re-inspect the Work upon receipt of notice that the Work, including inspection list items from earlier inspections, has been completed, except for items whose completion is delayed under circumstances acceptable to the Architect.
2. Upon successful completion of re-inspection, the Architect will prepare a certificate of final acceptance. If the Work is incomplete, the Architect will advise the Contractor of Work that is incomplete or of obligations that have not been fulfilled but are required for final acceptance. When necessary, reinspection will be repeated.
PART 2 PRODUCTS - NOT USED
PART 3 EXECUTION
3.1 CLOSEOUT PROCEDURES
A. Accompany Project Manager on preliminary inspection to determine items to be listed for completion or correction in Contractor's Notice of Substantial Completion.
B. Accompany Project Manager on preliminary final inspection.
3.2 CLOSEOUT SUBMITTALS
A. Make submittals that are required by governing or other authorities.
1. Provide copies to Architect and Owner.

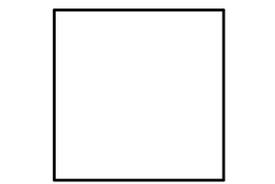
SECTION 017800 - CLOSEOUT PROCEDURES AND SUBMITTALS (CONTINUED)
B. Accompany Project Coordinator on preliminary inspection to determine items to be listed for completion or correction in Contractor's Notice of Substantial Completion.
C. Notify Architect when work is considered ready for Substantial Completion.
D. Submit written certification that Contract Documents have been reviewed, work has been inspected, and that work is complete in accordance with Contract Documents and ready for Architect's review.
E. Owner will occupy all of the building as specified in Section 01 10 00.
F. Correct items of work listed in executed Certificates of Substantial Completion and comply with requirements for Contract Documents and Limitations.
G. Accompany Project Coordinator on preliminary final inspection.
H. Notify Architect when work is considered finally complete.
I. Complete items of work determined by Architect's final inspection.
3.3 PROJECT RECORD DOCUMENTS
A. Maintain on site one set of the following record documents; record actual revisions to the Work:
1. Drawings.
2. Specifications.
3. Addenda.
4. Change Orders and other modifications to the Contract.
5. Reviewed shop drawings, product data, and samples.
6. Manufacturer's instruction for assembly, installation, and adjusting.
7. Inspection Reports.
8. Laboratory Test Records.
9. Field Test Reports and Records.
10. Factory Test Reports and Records.
B. Ensure availability of enabling future reference by Owner.
C. Maintain for record purposes at a location approved by the Architect/Owner, electronic files and those shop drawings and other documents which are required to be submitted electronically. Ensure that backups of electronic files are made on a regular basis and stored at a remote location.
D. Store record documents separate from documents used for construction.
E. Record information concurrent with construction progress.
F. Specifications: Legibly mark and record at each product section description of actual products installed, including the following:
1. Manufacturer's name and product model and number.
2. Product substitutions or alternates utilized.
3. Changes made by Addenda and modifications.
G. Record Drawings and Shop Drawings: Legibly mark each item to record actual construction including:
1. Measured depths of foundations in relation to finish first floor datum.
2. Measured horizontal and vertical locations of underground utilities and appurtenances, referenced to permanent surface improvements.
3. Measured horizontal and vertical locations of appurtenances concealed in construction, referenced to visible and accessible features of the Work.
4. Field changes of dimension and detail.
5. Details not on original Contract drawings.
H. Final Punchlist: Reclassify items from AHJ regarding substantial completion and certificate of occupancy.
3.4 OPERATION AND MAINTENANCE DATA
A. Owner's Manual: Prior to final payment, provide three copies (two printed and one digital) hardback, loose-leaf binders, and a "pdf" formal file of same, containing the following required submittals and any others required in other Sections, suitably typed, indexed and labeled for ready reference, to the Owner with notification to the Architect of each transmittal and an affidavit that the Manual is complete and in accordance with the Project Specifications.
B. Source Data: For each product or system, list manufacturer and telephone numbers of Subcontractors and suppliers, including local source of supplies and replacement parts.
C. Product Data: Mark each sheet to clearly identify specific products and component parts, and data applicable to installation. Delete inapplicable information.
1. Warranties and certifications.
2. Affidavit from General Contractor and subcontractors on use of asbestos free materials.
3. Maintenance and operating instructions and parts list.
4. List of extra materials delivered to Owner, signed by Owner's representative.
5. Other items required by the Specifications.
D. Drawings: Supplement product data to illustrate relations of component parts of equipment and systems, to show correct installation and disassembly. Do not use Project Record Documents as maintenance drawings.
E. Typed Text: As required to supplement product data. Provide logical sequence of instructions for each procedure, incorporating manufacturer's instructions.
3.5 OPERATION AND MAINTENANCE DATA FOR MATERIALS AND FINISHES
A. For Each Product, Applied Material, and Finish:
1. Product data, with catalog number, size, composition, and color and texture designations.
2. Information for re-ordering custom manufactured products.
B. Instructions for Care and Maintenance: Manufacturer's recommendations for cleaning agents and methods, precautions against detrimental cleaning agents and methods, and recommended schedule for cleaning and maintenance.
C. Ensure protection and weather-exposed products: Include product data listing applicable reference standards, chemical composition, and details of installation. Provide recommendations for inspections, maintenance, and repair.
D. Additional information as specified in individual product specification sections.
E. Where additional instructions are required, beyond the manufacturer's standard printed instructions, have instructions prepared by personnel experienced in the operation and maintenance of the specific products.
F. Provide a listing of Contents for design data, with tabbed fly sheet and space for insertion of data.
3.6 OPERATION AND MAINTENANCE DATA FOR EQUIPMENT AND SYSTEMS
A. For Each Item of Equipment and Each System:
1. Description of unit or system, and component parts.
2. Identify function, normal operating characteristics, and limiting conditions.
3. Include performance curves, with engineering data and tests.
4. Complete nomenclature and model number of replaceable parts.
B. Where additional instructions are required, beyond the manufacturer's standard printed instructions, have instructions prepared by personnel experienced in the operation and maintenance of the specific products.
C. Panelboard Circuit Directories: Provide electrical service characteristics, controls, and communications; typed.
D. Include color coded wiring diagrams as installed.
E. Operating Procedures: Include start-up, break-in, and routine normal operating instructions and sequences. Include regulation, control, stopping, shut-down, and emergency instructions. Include summer, winter, and any special operating instructions.
F. Maintenance Requirements: Include routine procedures and guide for preventative maintenance and trouble shooting; disassembly, repair, and reassembly instructions; and alignment, adjusting, balancing, and checking instructions.
G. Provide servicing and lubrication schedule, and list of lubricants required.
H. Include manufacturer's printed operation and maintenance instructions.
I. Include sequence of operation by controls manufacturer.
J. Date and time the Owner will take occupancy of Project, illustrations, assembly drawings, and diagrams required for maintenance.
K. Provide control diagrams by controls manufacturer as installed.
L. Provide Contractor's coordination drawings, with color coded piping diagrams as installed.
M. Provide charts of valve tag numbers, with location and function of each valve, keyed to flow and control diagrams.
N. Provide list of original manufacturer's spare parts, current prices, and recommended quantities to be maintained in storage.
O. Include test and balancing reports.
P. Additional Requirements: As specified in individual product specification sections.
3.7 ASSEMBLY OF OPERATION AND MAINTENANCE MANUALS
A. Assemble operation and maintenance data into durable manuals for Owner's personnel use, with data arranged in the same sequence as, and identified by, the specification section.
B. Where systems involve more than one specification section, provide separate tabbed divider for each system.
C. Submit two draft copies of the Operation and Maintenance Manuals a minimum of 14 days prior to requesting the inspection for Substantial Completion or the scheduled date for Substantial Completion, whichever is earliest.
D. Prepare instructions and data by personnel experienced in maintenance and operation of described products.
E. Prepare data in the form of an instructional manual.
F. Provide the final manual, submit to the Owner, with the required information identified in this section.
G. Binders: Commercial quality, 8-1/2 by 11 inch three D side ring binders with durable plastic covers; 2 inch maximum ring size. When multiple binders are used, correlate data into related consistent groupings.
H. Cover: Identify each binder with typed or printed title OPERATION AND MAINTENANCE INSTRUCTIONS; identify title of Project; identify subject matter of contents.
I. Project Directory: Title and address of Project; names, addresses, and telephone numbers of Architect, Consultants, Contractor and subcontractors, with names of responsible parties.
J. Tables of Contents: List every item separated by a divider, using the same identification as on the divider tab; where multiple volumes are required, include all volumes Tables of Contents in each volume, with the current volume clearly identified.
K. Dividers: Provide tabbed dividers for each separate product and system; identify the contents on the divider tab; immediately following the divider tab include a description of product and major component parts of equipment.
L. Text: Manufacturer's printed data, or typewritten data on 24 pound paper.
M. Drawings: Provide with reinforced punched binder tab. Bind in with text; fold larger drawings to size of text pages.
N. Arrange content by systems under section numbers and sequence of Table of Contents of this Project Manual.
O. Contents: Prepare a Table of Contents for each volume, with each product or system description identified, in three parts as follows:
1. Part 1: Directory, listing names, addresses, and telephone numbers of Architect, Contractor, Subcontractors, and major equipment suppliers.
2. Part 2: Operation and maintenance instructions, arranged by system and subdivided by specification section. For each category, identify names, addresses, and telephone numbers of Subcontractors and suppliers. Identify the following:
a. Significant design criteria.
b. List of equipment.
c. Parts list for each component.
d. Maintenance instructions for equipment and systems.
f. Maintenance instructions for special finishes, including recommended cleaning methods and materials, and special precautions identifying detrimental agents.
3. Part 3: Project documents and certificates, including the following:
a. Shop drawings and product data.
b. Air and water balance reports.
c. Certificates.
d. Photocopies of warranties and bonds.
P. Provide a listing in Table of Contents for design data, with tabbed dividers and space for insertion of data.
Q. Table of Contents: Provide title of Project; names, addresses, and telephone numbers of Architect, Consultants, and Contractors; with name of responsible party; schedule of products and systems, indexed to content of the volume.
3.8 SPARE PARTS AND MAINTENANCE MATERIALS
A. Deliver spare parts, extra stock, tools and other items specified in individual specification sections to the Owner with a copy of the transmittal to the Architect. Label with manufacturer's name and model number where applicable. Obtain a signed and dated receipt from the Owner of this transfer.
END OF SECTION 017800

SECTION 017836 - WARRANTIES AND BONDS
PART 1 GENERAL
1.1 SECTION INCLUDES:
A. Warranties and bonds.
1.2 SUMMARY
A. This Section includes administrative and procedural requirements for warranties required by the Contract Documents, including manufacturer's standard warranties on products and special warranties.
1. Refer to the General Conditions and Standard Construction Management Agreement for additional terms and requirements affecting the Work.
B. Disclaimers/Limitations: Manufacturer's disclaimers and limitations on product warranties do not relieve the Contractor of the warranty on the Work that incorporates the products. Manufacturer's disclaimers and limitations on product warranties do not relieve suppliers, manufacturers, and subcontractors required to countersign special warranties with the Contractor.
C. Manufacturer's warranties will begin upon Final Acceptance by Owner. Equipment was used, started or operated during construction period. "Acceptance" will be mutually agreed by Owner, Architect, Engineer and Owners Representative.
1.3 DEFINITIONS
A. Standard product warranties are preprinted written warranties published by individual manufacturers for particular products and are specifically endorsed by the manufacturer to the Owner.
B. Special warranties are written by or incorporated in the Contract Documents, either to extend time limits provided by standard warranties or to provide greater rights for the Owner.
1.4 WARRANTY REQUIREMENTS
A. Related Damages and Losses: When correcting failed or damaged warranted construction, remove and replace construction that has been damaged as a result of such failure or must be removed and replaced to provide access for correction of warranted construction.
B. Reinstatement of Warranty: When Work covered by a warranty has failed and been corrected by replacement or rebuilding, reinstate the warranty by written endorsement. The reinstated warranty shall be equal to the original warranty with an equitable adjustment for depreciation.
C. Replacement Cost: Upon determination that Work covered by a warranty has failed, replace or rebuild the Work to an acceptable condition complying with requirements of the Contract Documents. The Contractor is responsible for the cost of replacing or rebuilding defective Work regardless of whether the Owner has benefited from use of the Work through a portion of its anticipated useful service life.
D. Owner's Recourse: Expressed warranties made to the Owner are in addition to implied warranties and shall not limit the duties, obligations, rights, and remedies otherwise available under the law. Expressed warranty periods shall not be interpreted as limitations on the time in which the Owner can enforce such other duties, obligations, rights, or remedies.
1. Rejection of Warranties: The Owner reserves the right to reject warranties and to limit selection to products with warranties not in conflict with requirements of the Contract Documents.
E. Where the Contract Documents require a special warranty, or similar commitment on the Work or part of the Work, the Owner reserves the right to refuse to accept the Work, until the Contractor presents evidence that entitles the Owner to countersign such commitments are willing to do so.
1.5 SUBMITTALS
A. See Section 013300 - Submittal Requirements, for submittal procedures.
B. Submit written warranties to the Architect prior to the date certified for Substantial Completion. If the Architect's Certificate of Substantial Completion designates a commencement date for warranties other than the date of Substantial Completion for the Work, or a designated portion of the Work, submit written warranties upon request of the Architect.
1. When a designated portion of the Work is completed and occupied or used by the Owner, by separate agreement with the Contractor during the construction period, submit properly executed warranties to the Architect within 15 days of completion of that designated portion of the Work.
C. When the Contract Documents require the Contractor and a subcontractor, supplier or manufacturer to execute a special warranty, prepare a written document that contains appropriate terms and identification, ready for execution by the required parties. Submit a draft to the Owner, through the Architect, for approval prior to final execution.
D. Warranties and Bonds:
1. For equipment or component parts of equipment put into service during construction with Owner's permission, submit documents within 10 days after acceptance, to Project Manager.
2. Make other submittals within 10 days after Date of Substantial Completion, prior to final Application for Payment, to Project Manager.
3. For items of Work for which acceptance is delayed beyond Date of Substantial Completion, submit within 10 days after acceptance, listing the date of acceptance as the beginning of the warranty period, to Project Manager.
E. Form of Submittal: At Final Completion compile 2 copies of each required warranty properly executed by the Contractor, or by the Contractor, subcontractor, supplier, or manufacturer. Organize the warranty documents into an orderly sequence based on the table of contents of the Project Manual.
F. Bind warranties and bonds in heavy-duty, commercial-quality, durable 3-ring, vinyl-covered loose-leaf binders, thickness as necessary to accommodate contents, and sized to receive 8-1/2-by-11-inch paper.
1. Provide heavy paper dividers with celluloid covered tabs for each separate warranty. Mark the tab to identify the product or installation. Provide a typed description of the product or installation, including the name of the product, and the name, address, and telephone number of the installer.
2. Identify each binder on the front and spine with the typed or printed title "WARRANTIES," Project title or name, and name, address and telephone number of the Contractor and equipment supplier, and name of responsible company principal.
3. When warranted construction requires operation and maintenance manuals, provide additional copies of each required warranty, as necessary, for inclusion in each required manual.
PART 2 PRODUCTS (NOT USED)
PART 3 EXECUTION
3.1 LIST OF WARRANTIES
A. Schedule: Provide warranties on products and installations as specified in individual Sections in Divisions 2 through 28.
3.2 WARRANTIES AND BONDS
A. Obtain warranties and bonds, executed in duplicate by responsible Subcontractors, suppliers, and manufacturers, within 10 days after completion of the applicable item of work. Except for items put into use with Owner's permission, leave date of beginning of time of warranty until the Date of Substantial completion is determined.
B. Verify that documents are in proper form, contain full information, and are notarized.
C. Co-execute submittals when required.
D. Retain warranties and bonds until time specified for submission.
E. Manual: Bind in commercial quality 8-1/2 by 11 inch three D side ring binders with durable plastic covers.
F. Table of Contents: Neatly typed, in the sequence of the Table of Contents of the Project Manual, with each item identified with the number and title of the specification section in which specified, and the name of product or work item.
G. Separate each warranty or bond with index tab sheets keyed to the Table of Contents listing. Provide full information, using separate typed sheets as necessary. List Subcontractor, supplier, and manufacturer, with name, address, and telephone number of responsible principal.
END OF SECTION 017836
SECTION 055000 - METAL FABRICATIONS
PART 1 GENERAL
1.1 SECTION INCLUDES
A. Shop fabricated steel, aluminum, and miscellaneous metal items.
B. Metal fabrications, including items fabricated from iron and steel shapes, plates, bars, strips, tubes, pipes and castings which are not a part of structural steel or other metal systems in other Sections of these Specifications.
C. Miscellaneous framing and supports including, but not limited to the following:
1. Carpenter's ironwork.
2. Bent bar or angle frame countertop supports and backing plates.
3. Applications where framing and supports are not specified in other sections.
4. Hangers & Supports per Divisions 22, 23 & 26.
D. Supports for suspended ceilings, suspended finishes, chandeliers and fixtures and other items as necessary.
E. Other items as indicated in Drawings.
1.2 SUBMITTALS
A. See Section 013300 - Submittal Requirements, for submittal procedures.
B. Shop Drawings: Indicate profiles, sizes, connection attachments, reinforcing, anchorage, size and type of fasteners, and accessories. Include erection drawings, elevations, and details where applicable.
1. Indicate welded connections using standard AWS A2.4 welding symbols. Indicate net weld lengths.
2. Design data: Submit drawings and supporting calculations, signed and sealed by a qualified professional structural engineer.
a. Include the following, as applicable:
1) Design criteria.
2) Engineering analysis depicting stresses and deflections.
3) Member sizes and gauges.
4) Details of connections.
5) Support reactions.
6) Bracing requirements.
3. Structural Calculations by a Registered Professional or Structural Engineer in the State of Nevada for approval by Engineer of Record.
C. Welders' Qualification Statement: Welder's certificates in accordance with AWS B2.1/B2.1M and dated no more than 12 months before start of scheduled welding work.
D. Fabricator's Qualification Statement: Provide documentation showing steel fabricator is accredited under IAS AC172.
1.3 QUALITY ASSURANCE
A. Design shall be under direct supervision of a Professional Structural Engineer experienced in design of this Work and licensed in Nevada.
B. Welder Qualifications: Welding processes and welding operators qualified in accordance with AWS D1.1/D1.1M and AWS D1.2/D1.2M and dated no more than 12 months before start of scheduled welding work.
C. Standards: Comply with the following, except as otherwise shown and specified:
1. AISC "Specifications for Structural Steel Buildings."
2. AISI "Specifications for the Design of Cold-Formed Steel Structural Members."
3. AWS "Structural Welding CodeSteel."
4. ASTM A6 "General Requirements for Rolled Steel Plates Shapes, Sheet Piping and Bars for Structural Use."
D. Qualifications: Qualify welding processes and welding operators in accordance with AWS "Standard Qualification Procedure."
E. Fabricator Qualifications: A qualified steel fabricator that is accredited by IAS AC172.
1.4 DELIVERY, STORAGE AND HANDLING
A. Exercise care during unloading, storage and erection to avoid damage. Support material stored at the site completely free of the ground, and cover to avoid damage from the elements.
B. Field Measurements: Take field measurements prior to preparation of Shop Drawings and fabrication, where possible, to ensure proper fitting of the Work. Allow for trimming and fitting wherever the taking of field measurements before fabrication might delay the Work.
1.5 PROJECT/SITE CONDITIONS
A. Field Measurements: Take field measurements prior to preparation of Shop Drawings and fabrication, where possible, to ensure proper fitting of the Work. Allow for trimming and fitting wherever the taking of field measurements before fabrication might delay the Work.

SECTION 055000 - METAL FABRICATIONS (CONTINUED)
PART 2 EXECUTION
2.1 MATERIALS - STEEL
A. Steel Sections: ASTM A 36/A 36M.
B. Steel Tubing: ASTM A501/A501M hot-formed structural tubing.
C. Plates: ASTM A283/A283M.
D. Pipe: ASTM A 53/A 53M, Grade B Schedule 40, black finish.
E. Slotted Channel Fittings: ASTM A1011/A1011M.
F. Cold-Finished Carbon Steel Bars: ASTM A108, Grade as selected by fabricator.
G. Cold-rolled Carbon Steel Sheets: ASTM A611.
H. Cold-drawn Steel Tubing: ASTM A512, sunk drawn, but welded, cold-finished and stress-relieved.
I. Fasteners: Provide zinc-coated fasteners with galvanizing complying with ASTM A153 for exterior use or where built into exterior walls.
1. Bolts and nuts: ASTM A307, Grade A, regular hexagon head.
2. Bolts, hexagon and square: ANSI B-18.2.1.
3. Bolts, round head: ANSI B-18.5.
4. Lag bolts: Square head type.
5. Wood screws: ANSI B-18 6.1, flat head carbon steel.
6. Plain washers: ASTM F844 helical spring type carbon steel.
7. Bolts, Nuts, and Washers: ASTM F3125/F3125M, Type 1, plain.
L. Welding Materials: AWS D1.1/D1.1M; type required for materials being welded.
M. Shop and Touch-Up Primer: SSPC-PAINT 15, complying with VOC limitations of authorities having jurisdiction.
N. Touch-Up Primer for Galvanized Surfaces: SSPC-PAINT 20, Type I - inorganic, complying with VOC limitations of authorities having jurisdiction.
2.2 MATERIALS - ALUMINUM
A. Aluminum surfaces in contact with concrete, grout or dissimilar metals will be protected with a coat of bituminous paint, Mylar isolators or other approved material.
B. Extruded Aluminum: ASTM B221 (ASTM B221M), 6063 alloy, T6 temper.
C. Sheet Aluminum: ASTM B209 (ASTM B209M), 5052 alloy, H32 or H22 temper.
D. Aluminum-Alloy Drawn Seamless Tubes: ASTM B210/B210M, 6063 alloy, T6 temper.
E. Aluminum-Alloy Bars: ASTM B211/B211M, 6061 alloy, T6 temper.
F. Bolts, Nuts, and Washers: Stainless steel.
G. Welding Materials: AWS D1.2/D1.2M; type required for materials being welded.
2.3 FABRICATION
A. Fit and shop assemble items in largest practical sections, for delivery to site.
B. Fabricate items with joints tightly fitted and secured.
C. Continuously seal joined members by intermittent welds and plastic filler.
D. Shop and field weld all joints and similar items to be anchored to the Work.
E. Hairline. Ease exposed edges to small uniform radius.
F. Exposed Mechanical Fasteners: Flush countersunk screws or bolts; unobtrusively located; consistent with design of component, except where specifically noted otherwise.
G. Supply components required for anchorage of fabrications. Fabricate anchors and related components of same material and finish as fabrication, except where specifically noted otherwise.
2.4 FABRICATED ITEMS
A. Miscellaneous Framing and Supports:
1. Provide miscellaneous steel framing and supports which are not a part of the structural steel framework, or other metal systems in other Sections of these Specifications, whether indicated or not as necessary to complete the Work.
2. Fabricate miscellaneous units to sizes, shapes and profiles shown, or if not shown, of the dimensions required to receive adjacent grating, plates, doors or other Work to be retained by the framing. Except as otherwise shown, fabricate from structural steel shapes and plates and steel bars of all welded construction using mitered corners, welded brackets and splice plates, and a minimum number of joints for field connection. Cut, drill and tap units to receive hardware and similar items to be anchored to the Work.
3. Equip units with integrally welded anchor straps for casting into concrete or building into masonry wherever possible. Furnish inserts if units must be installed after concrete is poured. Except as otherwise shown, space anchors 24 inches o.c., and provide minimum anchor units of 1 1/4 inch x 1 1/3 inch x 8 inch steel straps.
B. Countertop Supports: Fabricate countertop supports from steel tube and shapes as detailed on Drawings.
C. Continuously weld all joints and grind smooth where exposed.
D. Prevent galvanic action and other forms of corrosion by insulating contact points between metals and incompatible metals or materials. Provide separation of resilient gasket or other appropriate material to separate aluminum bar gratings and angles where items are attached.
2.5 FINISHES - STEEL
A. Prime paint steel items.
1. Exceptions: Galvanize items to be embedded in concrete or masonry.
2. Exceptions: Do not prime surfaces in direct contact with concrete, where field welding is required, and items to be covered with sprayed fireproofing.
B. Prepare surfaces to be primed in accordance with SSPC-SP-2.
C. Clean surfaces of rust, scale, grease, and foreign matter prior to finishing.
D. Prime Painting: One coat.
E. Galvanizing of Structural Steel Members: Galvanize after fabrication to ASTM A123/A123M requirements.
F. Galvanizing of Non-structural Items: Galvanize after fabrication to ASTM A123/A123M requirements.
2.6 FINISHES - ALUMINUM
A. Exterior Aluminum Surfaces: High performance organic coating.
B. Interior Aluminum Surfaces: Class I natural anodized.
C. Class I Natural Anodized Finish: AAMA 611 AA-M12C22A41 Clear anodic coating not less than 0.7 mils thick.
D. Class I Color Anodized Finish: AAMA 611 AA-M12C22A42 Integrally colored anodic coating not less than 0.7 mils thick; light bronze.
E. High Performance Organic Coating System: AAMA 2604 multiple coat, thermally cured fluoropolymer system; color as selected from manufacturer's standard colors.
F. Apply one coat of bituminous paint to concealed aluminum surfaces in contact with cementitious or dissimilar materials.
2.7 FABRICATION TOLERANCES
A. Squareness: 1/8 inch maximum difference in diagonal measurements.
B. Maximum Offset Between Faces: 1/16 inch.
C. Maximum Misalignment of Adjacent Members: 1/16 inch.
D. Maximum Bow: 1/8 inch in 48 inches.
E. Maximum Deviation From Plane: 1/16 inch in 48 inches.
PART 3 EXECUTION
3.1 EXAMINATION
A. Verify that field conditions are acceptable and are ready to receive work.
3.2 PREPARATION
A. Clean and strip primed steel items to bare metal and aluminum where site welding is required.
B. Supply setting templates to the appropriate entities for steel items required to be cast into concrete or embedded in masonry.
3.3 INSTALLATION - GENERAL
A. Install items plumb and level, accurately fitted, free from distortion or defects.
B. Provide for erection loads, and for sufficient temporary bracing to maintain true alignment until completion of erection and installation of permanent attachments.
C. Field weld components as indicated on drawings.
D. Perform field welding in accordance with AWS D1.1/D1.1M.
E. Obtain approval prior to site cutting or making adjustments not scheduled.
F. After erection, prime welds, abrasions, and surfaces not shop primed or galvanized, except surfaces to be in contact with concrete.
3.4 TOLERANCES
A. Maximum Variation From Plumb: 1/4 inch per story, non-cumulative.
B. Maximum Offset From True Alignment: 1/4 inch.
C. Maximum Out-of-Position: 1/4 inch.
3.5 CLEAN-UP
A. Immediately following installation, clean field welds, bolted connections, and abraded and rusted areas of shop painted and galvanized finishes and perform required touch-up painting; use appropriate materials to match manufacturer's shop paint and galvanized finishes.
1. For shop primed surfaces, apply paint to comply with requirements of SSPC PA 1.
2. For galvanized surfaces, clean welds, bolted connections, and abraded areas, and apply galvanizing repair paint to comply with ASTM A780.
B. Transport debris and excess materials from site and legally dispose of them.
END OF SECTION 055000



225 South Arlington Avenue ste. A
Reno NV, 89501
phone: 775.857.2949
fax: 775.857.2403
www.tska.com



THESE DRAWINGS AND SPECIFICATIONS ARE THE PROPERTY OF TATE SNYDER KIMSEY ARCHITECTS AND MAY NOT BE REPRODUCED OR USED FOR ANY PURPOSE WITHOUT THE ARCHITECTS WRITTEN CONSENT. AS INSTRUMENTS OF SERVICE, THESE DOCUMENTS ARE NOT FINAL AND READY FOR USE, AND THEREFORE NOT VALID UNLESS THEY ARE SEALED, SIGNED AND DATED. Copyright, Ltd 2015

Consultant
PLEASE RECYCLE

Project
DCSO - RECORDS RENOVATION

1038 BUCKEYE ROAD
MINDEN, NV 89423

Job No: 20-052.00

Owner
DOUGLAS COUNTY

100%

Table with 3 columns: REV, DATE, DESCRIPTION. Header row: REVISIONS. Multiple empty rows below.

Sheet Title
PROJECT SPECIFICATIONS

Date: Dec. 22, 2021
Sheet No:

A0.40

SECTION 061100 - ROUGH CARPENTRY

- 2.3 CONSTRUCTION PANELS
A. Wall Sheathing: Plywood, PS 1, Grade C-D, Exposure 1
B. Communications and Electrical Room Mounting Boards: PS 1 Grade C-D plywood; 1" inch thick; flame spread index of 25 or less, smoke developed index of 450 or less, when tested in accordance with ASTM E84.
C. Other Applications:
1. Plywood Concealed From View But Located Within Exterior Enclosure: PS 1, C-C Plugged or better, Exterior grade.
2. Plywood Exposed to View But Not Exposed to Weather: PS 1, A-D, or better.
3. Other Locations: PS 1, C-D Plugged or better.
2.4 ACCESSORIES
A. Fasteners and Anchors:
1. Metal and Finish: Hot-dipped galvanized steel complying with ASTM A153/A153M for high humidity and preservative-treated wood locations, unfinished steel elsewhere.
2. Drywall Screws: Bugle head, hardened steel, power driven type, refer to section 092116.
3. Anchors: Toggle bolt type for anchor to hollow masonry.
2.5 FACTORY WOOD TREATMENT
A. Treated Lumber and Plywood: Comply with requirements of AWPA A1 - Use Category System for wood treatments determined by use categories, expected service conditions, and specific applications.
1. Fire-Retardant Treated Wood: Mark each piece of wood with producer's stamp indicating compliance with specified requirements.
2. Preservative-Treated Wood: Provide lumber and plywood marked or stamped by an AISC-accredited testing agency, certifying level and type of treatment in accordance with AWPA standards.
B. Fire Retardant Treatment:
1. Manufacturers:
a. Lonza Group: www.wolmanizedwood.com/#sle.
b. Hoover Treated Wood Products, Inc: www.frtw.com/#sle.
c. Pyro-Guard.
2. Interior Type A: AWPA U1, Use Category UCFA, Commodity Specification H, low temperature (low hygroscopic) type, chemically treated and pressure impregnated; capable of providing a maximum flame spread index of 25 when tested in accordance with ASTM E84, with no evidence of significant combustion when test is extended for an additional 20 minutes.
a. Kiln dry wood after treatment to a maximum moisture content of 19 percent for lumber and 15 percent for plywood.
b. Treat rough carpentry items as indicated.
c. Do not use treated wood in applications exposed to weather or where the wood may become wet.

- 2.6 TOLERANCES
A. Framing Members: 1/4 inch from true position, maximum.
B. Surface Flatness of Floor: 1/8 inch in 10 feet maximum, and 1/4 inch in 30 feet maximum.
C. Variation from Plane, Other than Floors: 1/4 inch in 10 feet maximum, and 1/4 inch in 30 feet maximum.
3.7 CLEANING
A. Do not burn scrap on project site.
B. Do not leave wood, shavings, sawdust, etc. on the ground or buried in fill.
C. Prevent sawdust and wood shavings from entering the storm drainage system.
END OF SECTION 061100

SECTION 064100 - ARCHITECTURAL WOOD CASEWORK

- 2.3 CONSTRUCTION PANELS
A. Wall Sheathing: Plywood, PS 1, Grade C-D, Exposure 1
B. Communications and Electrical Room Mounting Boards: PS 1 Grade C-D plywood; 1" inch thick; flame spread index of 25 or less, smoke developed index of 450 or less, when tested in accordance with ASTM E84.
C. Other Applications:
1. Plywood Concealed From View But Located Within Exterior Enclosure: PS 1, C-C Plugged or better, Exterior grade.
2. Plywood Exposed to View But Not Exposed to Weather: PS 1, A-D, or better.
3. Other Locations: PS 1, C-D Plugged or better.
2.4 ACCESSORIES
A. Fasteners and Anchors:
1. Metal and Finish: Hot-dipped galvanized steel complying with ASTM A153/A153M for high humidity and preservative-treated wood locations, unfinished steel elsewhere.
2. Drywall Screws: Bugle head, hardened steel, power driven type, refer to section 092116.
3. Anchors: Toggle bolt type for anchor to hollow masonry.
2.5 FACTORY WOOD TREATMENT
A. Treated Lumber and Plywood: Comply with requirements of AWPA A1 - Use Category System for wood treatments determined by use categories, expected service conditions, and specific applications.
1. Fire-Retardant Treated Wood: Mark each piece of wood with producer's stamp indicating compliance with specified requirements.
2. Preservative-Treated Wood: Provide lumber and plywood marked or stamped by an AISC-accredited testing agency, certifying level and type of treatment in accordance with AWPA standards.
B. Fire Retardant Treatment:
1. Manufacturers:
a. Lonza Group: www.wolmanizedwood.com/#sle.
b. Hoover Treated Wood Products, Inc: www.frtw.com/#sle.
c. Pyro-Guard.
2. Interior Type A: AWPA U1, Use Category UCFA, Commodity Specification H, low temperature (low hygroscopic) type, chemically treated and pressure impregnated; capable of providing a maximum flame spread index of 25 when tested in accordance with ASTM E84, with no evidence of significant combustion when test is extended for an additional 20 minutes.
a. Kiln dry wood after treatment to a maximum moisture content of 19 percent for lumber and 15 percent for plywood.
b. Treat rough carpentry items as indicated.
c. Do not use treated wood in applications exposed to weather or where the wood may become wet.

- 2.6 TOLERANCES
A. Framing Members: 1/4 inch from true position, maximum.
B. Surface Flatness of Floor: 1/8 inch in 10 feet maximum, and 1/4 inch in 30 feet maximum.
C. Variation from Plane, Other than Floors: 1/4 inch in 10 feet maximum, and 1/4 inch in 30 feet maximum.
3.7 CLEANING
A. Do not burn scrap on project site.
B. Do not leave wood, shavings, sawdust, etc. on the ground or buried in fill.
C. Prevent sawdust and wood shavings from entering the storm drainage system.
END OF SECTION 061100

SECTION 064100 - ARCHITECTURAL WOOD CASEWORK (CONTINUED)

- 2.3 CONSTRUCTION PANELS
A. Wall Sheathing: Plywood, PS 1, Grade C-D, Exposure 1
B. Communications and Electrical Room Mounting Boards: PS 1 Grade C-D plywood; 1" inch thick; flame spread index of 25 or less, smoke developed index of 450 or less, when tested in accordance with ASTM E84.
C. Other Applications:
1. Plywood Concealed From View But Located Within Exterior Enclosure: PS 1, C-C Plugged or better, Exterior grade.
2. Plywood Exposed to View But Not Exposed to Weather: PS 1, A-D, or better.
3. Other Locations: PS 1, C-D Plugged or better.
2.4 ACCESSORIES
A. Fasteners and Anchors:
1. Metal and Finish: Hot-dipped galvanized steel complying with ASTM A153/A153M for high humidity and preservative-treated wood locations, unfinished steel elsewhere.
2. Drywall Screws: Bugle head, hardened steel, power driven type, refer to section 092116.
3. Anchors: Toggle bolt type for anchor to hollow masonry.
2.5 FACTORY WOOD TREATMENT
A. Treated Lumber and Plywood: Comply with requirements of AWPA A1 - Use Category System for wood treatments determined by use categories, expected service conditions, and specific applications.
1. Fire-Retardant Treated Wood: Mark each piece of wood with producer's stamp indicating compliance with specified requirements.
2. Preservative-Treated Wood: Provide lumber and plywood marked or stamped by an AISC-accredited testing agency, certifying level and type of treatment in accordance with AWPA standards.
B. Fire Retardant Treatment:
1. Manufacturers:
a. Lonza Group: www.wolmanizedwood.com/#sle.
b. Hoover Treated Wood Products, Inc: www.frtw.com/#sle.
c. Pyro-Guard.
2. Interior Type A: AWPA U1, Use Category UCFA, Commodity Specification H, low temperature (low hygroscopic) type, chemically treated and pressure impregnated; capable of providing a maximum flame spread index of 25 when tested in accordance with ASTM E84, with no evidence of significant combustion when test is extended for an additional 20 minutes.
a. Kiln dry wood after treatment to a maximum moisture content of 19 percent for lumber and 15 percent for plywood.
b. Treat rough carpentry items as indicated.
c. Do not use treated wood in applications exposed to weather or where the wood may become wet.

- 2.6 TOLERANCES
A. Framing Members: 1/4 inch from true position, maximum.
B. Surface Flatness of Floor: 1/8 inch in 10 feet maximum, and 1/4 inch in 30 feet maximum.
C. Variation from Plane, Other than Floors: 1/4 inch in 10 feet maximum, and 1/4 inch in 30 feet maximum.
3.7 CLEANING
A. Do not burn scrap on project site.
B. Do not leave wood, shavings, sawdust, etc. on the ground or buried in fill.
C. Prevent sawdust and wood shavings from entering the storm drainage system.
END OF SECTION 061100

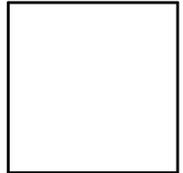
SECTION 081416 - FLUSH WOOD DOORS

- 2.3 CONSTRUCTION PANELS
A. Wall Sheathing: Plywood, PS 1, Grade C-D, Exposure 1
B. Communications and Electrical Room Mounting Boards: PS 1 Grade C-D plywood; 1" inch thick; flame spread index of 25 or less, smoke developed index of 450 or less, when tested in accordance with ASTM E84.
C. Other Applications:
1. Plywood Concealed From View But Located Within Exterior Enclosure: PS 1, C-C Plugged or better, Exterior grade.
2. Plywood Exposed to View But Not Exposed to Weather: PS 1, A-D, or better.
3. Other Locations: PS 1, C-D Plugged or better.
2.4 ACCESSORIES
A. Fasteners and Anchors:
1. Metal and Finish: Hot-dipped galvanized steel complying with ASTM A153/A153M for high humidity and preservative-treated wood locations, unfinished steel elsewhere.
2. Drywall Screws: Bugle head, hardened steel, power driven type, refer to section 092116.
3. Anchors: Toggle bolt type for anchor to hollow masonry.
2.5 FACTORY WOOD TREATMENT
A. Treated Lumber and Plywood: Comply with requirements of AWPA A1 - Use Category System for wood treatments determined by use categories, expected service conditions, and specific applications.
1. Fire-Retardant Treated Wood: Mark each piece of wood with producer's stamp indicating compliance with specified requirements.
2. Preservative-Treated Wood: Provide lumber and plywood marked or stamped by an AISC-accredited testing agency, certifying level and type of treatment in accordance with AWPA standards.
B. Fire Retardant Treatment:
1. Manufacturers:
a. Lonza Group: www.wolmanizedwood.com/#sle.
b. Hoover Treated Wood Products, Inc: www.frtw.com/#sle.
c. Pyro-Guard.
2. Interior Type A: AWPA U1, Use Category UCFA, Commodity Specification H, low temperature (low hygroscopic) type, chemically treated and pressure impregnated; capable of providing a maximum flame spread index of 25 when tested in accordance with ASTM E84, with no evidence of significant combustion when test is extended for an additional 20 minutes.
a. Kiln dry wood after treatment to a maximum moisture content of 19 percent for lumber and 15 percent for plywood.
b. Treat rough carpentry items as indicated.
c. Do not use treated wood in applications exposed to weather or where the wood may become wet.

- 2.6 TOLERANCES
A. Framing Members: 1/4 inch from true position, maximum.
B. Surface Flatness of Floor: 1/8 inch in 10 feet maximum, and 1/4 inch in 30 feet maximum.
C. Variation from Plane, Other than Floors: 1/4 inch in 10 feet maximum, and 1/4 inch in 30 feet maximum.
3.7 CLEANING
A. Do not burn scrap on project site.
B. Do not leave wood, shavings, sawdust, etc. on the ground or buried in fill.
C. Prevent sawdust and wood shavings from entering the storm drainage system.
END OF SECTION 061100



225 South Arlington Avenue ste. A
Reno NV, 89501
phone: 775.857.2949
fax: 775.857.2403
www.tska.com



THESE DRAWINGS AND SPECIFICATIONS ARE THE PROPERTY OF TATE SNYDER KIMSEY ARCHITECTS AND MAY NOT BE REPRODUCED OR USED FOR ANY PURPOSE WITHOUT THE ARCHITECTS WRITTEN CONSENT. AS INSTRUMENT OF SERVICE, THESE DOCUMENTS ARE NOT FINAL AND READY FOR USE, AND THEREFORE NOT VALID, UNLESS THEY ARE SEALED, SIGNED AND DATED. Copyright, Ltd 2015

Consultant



Project

DCSO - RECORDS RENOVATION

1038 BUCKEYE ROAD
MINDEN, NV 89423

Job No: 20-052.00

Owner

DOUGLAS COUNTY

SECTION 081213 - HOLLOW METAL FRAMES

- 2.3 CONSTRUCTION PANELS
A. Wall Sheathing: Plywood, PS 1, Grade C-D, Exposure 1
B. Communications and Electrical Room Mounting Boards: PS 1 Grade C-D plywood; 1" inch thick; flame spread index of 25 or less, smoke developed index of 450 or less, when tested in accordance with ASTM E84.
C. Other Applications:
1. Plywood Concealed From View But Located Within Exterior Enclosure: PS 1, C-C Plugged or better, Exterior grade.
2. Plywood Exposed to View But Not Exposed to Weather: PS 1, A-D, or better.
3. Other Locations: PS 1, C-D Plugged or better.
2.4 ACCESSORIES
A. Fasteners and Anchors:
1. Metal and Finish: Hot-dipped galvanized steel complying with ASTM A153/A153M for high humidity and preservative-treated wood locations, unfinished steel elsewhere.
2. Drywall Screws: Bugle head, hardened steel, power driven type, refer to section 092116.
3. Anchors: Toggle bolt type for anchor to hollow masonry.
2.5 FACTORY WOOD TREATMENT
A. Treated Lumber and Plywood: Comply with requirements of AWPA A1 - Use Category System for wood treatments determined by use categories, expected service conditions, and specific applications.
1. Fire-Retardant Treated Wood: Mark each piece of wood with producer's stamp indicating compliance with specified requirements.
2. Preservative-Treated Wood: Provide lumber and plywood marked or stamped by an AISC-accredited testing agency, certifying level and type of treatment in accordance with AWPA standards.
B. Fire Retardant Treatment:
1. Manufacturers:
a. Lonza Group: www.wolmanizedwood.com/#sle.
b. Hoover Treated Wood Products, Inc: www.frtw.com/#sle.
c. Pyro-Guard.
2. Interior Type A: AWPA U1, Use Category UCFA, Commodity Specification H, low temperature (low hygroscopic) type, chemically treated and pressure impregnated; capable of providing a maximum flame spread index of 25 when tested in accordance with ASTM E84, with no evidence of significant combustion when test is extended for an additional 20 minutes.
a. Kiln dry wood after treatment to a maximum moisture content of 19 percent for lumber and 15 percent for plywood.
b. Treat rough carpentry items as indicated.
c. Do not use treated wood in applications exposed to weather or where the wood may become wet.

- 2.6 TOLERANCES
A. Framing Members: 1/4 inch from true position, maximum.
B. Surface Flatness of Floor: 1/8 inch in 10 feet maximum, and 1/4 inch in 30 feet maximum.
C. Variation from Plane, Other than Floors: 1/4 inch in 10 feet maximum, and 1/4 inch in 30 feet maximum.
3.7 CLEANING
A. Do not burn scrap on project site.
B. Do not leave wood, shavings, sawdust, etc. on the ground or buried in fill.
C. Prevent sawdust and wood shavings from entering the storm drainage system.
END OF SECTION 061100

- 2.3 CONSTRUCTION PANELS
A. Wall Sheathing: Plywood, PS 1, Grade C-D, Exposure 1
B. Communications and Electrical Room Mounting Boards: PS 1 Grade C-D plywood; 1" inch thick; flame spread index of 25 or less, smoke developed index of 450 or less, when tested in accordance with ASTM E84.
C. Other Applications:
1. Plywood Concealed From View But Located Within Exterior Enclosure: PS 1, C-C Plugged or better, Exterior grade.
2. Plywood Exposed to View But Not Exposed to Weather: PS 1, A-D, or better.
3. Other Locations: PS 1, C-D Plugged or better.
2.4 ACCESSORIES
A. Fasteners and Anchors:
1. Metal and Finish: Hot-dipped galvanized steel complying with ASTM A153/A153M for high humidity and preservative-treated wood locations, unfinished steel elsewhere.
2. Drywall Screws: Bugle head, hardened steel, power driven type, refer to section 092116.
3. Anchors: Toggle bolt type for anchor to hollow masonry.
2.5 FACTORY WOOD TREATMENT
A. Treated Lumber and Plywood: Comply with requirements of AWPA A1 - Use Category System for wood treatments determined by use categories, expected service conditions, and specific applications.
1. Fire-Retardant Treated Wood: Mark each piece of wood with producer's stamp indicating compliance with specified requirements.
2. Preservative-Treated Wood: Provide lumber and plywood marked or stamped by an AISC-accredited testing agency, certifying level and type of treatment in accordance with AWPA standards.
B. Fire Retardant Treatment:
1. Manufacturers:
a. Lonza Group: www.wolmanizedwood.com/#sle.
b. Hoover Treated Wood Products, Inc: www.frtw.com/#sle.
c. Pyro-Guard.
2. Interior Type A: AWPA U1, Use Category UCFA, Commodity Specification H, low temperature (low hygroscopic) type, chemically treated and pressure impregnated; capable of providing a maximum flame spread index of 25 when tested in accordance with ASTM E84, with no evidence of significant combustion when test is extended for an additional 20 minutes.
a. Kiln dry wood after treatment to a maximum moisture content of 19 percent for lumber and 15 percent for plywood.
b. Treat rough carpentry items as indicated.
c. Do not use treated wood in applications exposed to weather or where the wood may become wet.

- 2.6 TOLERANCES
A. Framing Members: 1/4 inch from true position, maximum.
B. Surface Flatness of Floor: 1/8 inch in 10 feet maximum, and 1/4 inch in 30 feet maximum.
C. Variation from Plane, Other than Floors: 1/4 inch in 10 feet maximum, and 1/4 inch in 30 feet maximum.
3.7 CLEANING
A. Do not burn scrap on project site.
B. Do not leave wood, shavings, sawdust, etc. on the ground or buried in fill.
C. Prevent sawdust and wood shavings from entering the storm drainage system.
END OF SECTION 061100

100%

Table with 3 columns: REV, DATE, DESCRIPTION. Includes a REVISIONS header and several empty rows for tracking changes.

Sheet Title

PROJECT SPECIFICATIONS

Date: Dec. 22, 2021

Sheet No:

A0.50

SECTION 083326 - OVERHEAD COILING GRILLES

- PART 1 GENERAL**
- 1.1 SECTION INCLUDES**
- A. Overhead coiling metal grilles and operating hardware, manual operation.
- 1.2 SUBMITTALS**
- A. See Section 013300 - Submittal Requirements, for submittal procedures.
 - B. Product Data: Provide general construction component connections and details, and electrical equipment.
 - C. Shop Drawings: Indicate perimeter dimensions, anchorage methods, hardware locations, and installation details.
 - D. Samples: Submit two grille members, 12 inch in size illustrating shape, color and finish texture.
 - E. Manufacturer's Installation Instructions: Indicate installation sequence and procedures, adjustment and alignment procedures.
 - F. Maintenance Data: Indicate lubrication requirements and frequency and periodic adjustments required.
- 1.3 QUALITY ASSURANCE**
- A. Manufacturer Qualifications: Company specializing in manufacturing the products specified in this section with minimum 10 years of documented experience.
 - B. Installer Qualifications: Company specializing in performing work of type specified and with at least 5 years documented experience and approved by manufacturer.
- 1.4 WARRANTY**
- A. See Section 017836 - Warranty Procedures for warranty requirements.
 - B. Coiling Specialty Grille Warranty: Provide Two (2) Year Warranty signed by the manufacturer and installer agreeing to repair or replace work which has failed as a result of defects in materials or workmanship. Upon notification within the warranty period, such defects shall be repaired at no cost to the owner.

- PART 2 PRODUCTS**
- 2.1 MANUFACTURERS**
- A. Basis of Design: Contract Documents are based on products specified below to establish a standard of quality. Other acceptable manufacturers with products having equivalent characteristics may be considered, provided deviations are minor and design concept expressed in Contract Documents is not changed, as determined by the Architect.
 - 1. Cornell Iron Works, Inc.: 24 Elmwood Ave. Mountain Top, PA 18077. Telephone: (800) 233-8366. Underwriters Laboratories, Inc. (UL), ISO 9001:2008 Registered. www.cornelliron.com.
 - B. Acceptable Manufacturers: Subject to compliance with requirements of Contract Documents, provide product by one of manufacturers listed alphabetically below. If not listed, submit as substitution according to Conditions of the Contract and Division 1 Sections.
 - 1. The Cookson Company: www.cooksondoor.com.
 - 2. Or Approved Equal.
 - C. Substitutions: Refer to Section 012500 - Substitution Procedures.

- 2.2 GRILLES AND COMPONENTS**
- A. Curtain:**
- 1. Model: ESC10.
 - a. Slat Configuration:
 - 1) Galvanized Steel with Finish as Described Below: No. 1F, interlocked flat-faced slats, 1-1/2 inches (38 mm) high by 1/2 inch (13 mm) deep, minimum 22 gauge ASTM A653, Commercial Quality, galvanized steel with extruded tubular aluminum bottom bar with continuous lift handle and vinyl astragal.
 - b. Finish:
 - 1) GalvaNex™ Coating System (Stock Colors):
 - (a) ASTM A 653 galvanized base coating treated with dual process rinsing agents in preparation for chemical bonding baked-on base coat and gray, tan, or white baked-on polyester enamel finish coat.

- B. Endlocks:**
- 1. Fabricate interlocking slat sections with high strength molded nylon endlocks riveted to ends of alternate slats.
- C. Guides:**
- 1. Fabrication:
 - a. Aluminum: Heavy duty extruded aluminum sections with snap-on cover to conceal fasteners. Provide polypropylene pile runners on both sides of curtain to eliminate metal to metal contact between guides and curtain.
 - 2. Finish:
 - a. Aluminum: Clear anodized, Medium bronze anodized, Dark bronze anodized, Black anodized, or Powder coat – Color selected by Architect.

- D. Shaft Assembly:**
- 1. Tube Motor Shaft Assembly:
 - a. Barrel: Steel pipe capable of supporting curtain load with maximum deflection of 0.03 inches per foot (2.5 mm per meter) of width.
- E. Brackets:**
- 1. Fabricate from reinforced steel plate with bearings at rotating support points to support counterbalance shaft assembly and form end closures
 - 2. Finish:
 - a. Standard (Stock Colors): Zirconium treatment followed by a gray, tan, or white baked-on polyester powder coat; minimum 2.5 mils (0.065 mm) cured film thickness

- F. Hood:**
- 1. Minimum 24 gauge galvanized steel with reinforced top and bottom edges. Provide minimum 1/4 inch (6.35 mm) steel intermediate support brackets.
 - 2. Finish:
 - a. GalvaNex™ Coating System (Stock Colors):
 - 1) ASTM A653 galvanized base coating treated with dual process rinsing agents in preparation for chemical bonding baked-on base coat and gray baked-on polyester enamel finish coat.

- 2.3 OPERATION**
- A. Motor Operation:**
- 1. Electric Tube Motor Operator: Rated for a maximum of 10 cycles per day, cULus recognized, rated (50nm) (100nm) or (200nm) as recommended by door manufacturer for size and type of door, 110 Volts, 1 Phase. Provide complete with electric tube motor, maintenance free electric brake, emergency manual crank hoist and control station(s). Motor shall be protected against overload with an auto-reset thermal sensing device. Operator shall be equipped with an emergency manual crank hoist assembly that safety cuts operator power when engaged. A disconnect chain shall not be required to release the manual crank hoist. Operator shall be capable of 10-14 RPM. Fully adjustable, mechanical internal worm limit switch mechanism shall synchronize the operator with the door. The electrical contractor shall mount the control station(s) and supply the appropriate disconnect switch, all conduit and wiring per the overhead door wiring instructions.
- B. Control Station:** For use with motor operated units only
- 1. (Tube Motor Only): Flush mounted; Designer Switch; NEMA 1
- C. Control Operation:**
- 1. Constant pressure to close:
 - a. No sensing device required.
 - 2. Momentary contact to close:
 - a. Fail-safe, UL325-2010 Compliant Entrapment Protection for Model MG Motor Operation.

- 2.4 MATERIALS**
- A. Galvanized Steel Bars: Galvanized to minimum coating thickness grade in accordance with ASTM A123/A123M.
 - B. Galvanized Steel Sheet: ASTM A653/A653M, galvanized to minimum G90/Z275 coating.
 - C. Stainless Steel: ASTM A666, Type 304, with rollable temper.

- PART 3 EXECUTION**
- 3.1 EXAMINATION**
- A. Verify that opening sizes, tolerances and conditions are acceptable.
- 3.2 INSTALLATION**
- A. Install grille unit assembly in accordance with manufacturer's instructions.
 - B. Use anchorage devices to securely fasten assembly to wall construction and building framing without distortion or stress.
 - C. Securely and rigidly brace components suspended from structure. Secure guides to structural members only.
 - D. Fit and align assembly including hardware; level and plumb, to provide smooth operation.
 - E. Install enclosure and perimeter trim.
 - F. All key cylinders for switches must match brand, style, and key system used in balance of the building. Must be coordinated between overhead door installer and hardware supplier.
- 3.3 TOLERANCES**
- A. Maintain dimensional tolerances and alignment with adjacent work.
 - B. Maximum Variation From Plumb: 1/16 inch.
 - C. Maximum Variation From Level: 1/16 inch.
 - D. Longitudinal or Diagonal Warp: Plus or minus 1/8 inch per 10 ft straight edge.
- 3.4 ADJUSTING**
- A. Adjust grille, hardware and operating assemblies for smooth and noiseless operation.
- 3.5 PROTECTION**
- A. Protect installed work using adequate and suitable means during and after installation until accepted by owner.
- 3.6 CLEANING**
- A. Clean grille and components.
 - B. Remove labels and visible markings.

END OF SECTION 083326

SECTION 092116 - GYPSUM BOARD ASSEMBLIES

- PART 1 GENERAL**
- 1.1 SECTION INCLUDES**
- A. Performance criteria for gypsum board assemblies.
 - B. Acoustic insulation.
 - C. Gypsum wallboard.
 - D. Joint treatment and accessories.
- 1.2 SUBMITTALS**
- A. See Section 013300 - Submittal Requirements, for submittal procedures.
 - B. Shop Drawings: Indicate special details associated with fireproofing and acoustic seals.
 - C. Product Data: Provide data on gypsum board, glass mat faced gypsum board, accessories, and joint finishing system.
 - D. Product Data: Provide manufacturer's data on partition head to structure connectors, showing compliance with requirements.
 - E. Test Reports: For stud framing products that do not comply with ASTM C645 or ASTM C754, provide independent laboratory reports showing maximum stud heights at required spacings and deflections.

- 1.3 QUALITY ASSURANCE**
- A. Manufacturer Qualifications: Company specializing in manufacturing products specified in this section, with not less than 25 years of documented experience.
 - B. Installer Qualifications: Company specializing in performing, with minimum 5 years of documented experience and approved by manufacturer.
 - C. Regulatory Requirements: Comply with the applicable codes relating to the fire rated assemblies as shown on the drawings.
 - D. Copies of Documents at Site: Maintain at the project site a copy of each referenced document that prescribes execution requirements.
- 1.4 DELIVERY, STORAGE AND HANDLING**
- A. Comply with GA-216 and Manufacturer's instructions.
- 1.5 WARRANTY**
- A. See Section 017836 - Warranties and Bonds for additional warranty requirements.
 - B. Special Warranty
 - 1. Exterior Gypsum Sheathing: Provide manufacturer's limited warranty for 10 years covering defects in the manufacturing and in the materials.
 - 2. Include warranty coverage for a minimum of 6 months exposure; clearly state that the product will remain free of defects and suitable for its intended use after installation and before the exterior weather barrier or cladding is installed.

- PART 2 PRODUCTS**
- 2.1 GYPSUM BOARD ASSEMBLIES**
- A. Provide completed assemblies complying with ASTM C840 and GA-216.
 - 1. See PART 3 for finishing requirements.
 - B. Interior Partitions, Indicated as Acoustic: Provide completed assemblies with the following characteristics:
 - 1. Acoustic Attenuation: STC of 45-62 calculated in accordance with ASTM E413, based on tests conducted in accordance with ASTM E90.

- 2.2 MANUFACTURERS**
- A. Basis of Design: Contract Documents are based on products specified below to establish a standard of quality. Other acceptable manufacturers with products having equivalent characteristics may be considered, provided deviations are minor and design concept expressed in Contract Documents is not changed, as determined by the Architect.
 - B. Acceptable Manufacturers: Subject to compliance with requirements of Contract Documents, provide product by one of manufacturers listed alphabetically below. If not listed, submit as substitution according to Conditions of the Contract and Division 1 Sections.
 - 1. Manufacturers - Gypsum-Based Board:
 - a. CertainTeed Corporation: www.certainteed.com/#sle.
 - b. National Gypsum Company: www.nationalgypsum.com/#sle.
 - c. PABCO Gypsum: www.pabco gypsum.com/#sle.
 - d. USG Corporation: www.usg.com/#sle.

- 2.3 MATERIALS**
- A. Gypsum Wallboard:**
- 1. Application: Use for vertical surfaces and ceilings, unless otherwise indicated.
 - 2. Glass mat faced gypsum panels, as defined in ASTM C1658/C1658M, suitable for paint finish, of the same core type and thickness may be substituted for paper-faced board.
 - 3. Unfaced finished gypsum panels as defined in ASTM C1278/C1278M, suitable for paint finish, of the same core type and thickness may be substituted for paper-faced board.
 - 4. Mold Resistance: Score of 10, when tested in accordance with ASTM D3273.
 - a. Mold-resistant board is required whenever board is being installed before the building is enclosed and conditioned.
 - b. Mold resistant board is required at all locations.
 - 5. All Assemblies Indicated with Fire-Resistance Rating: Use type required by indicated tested assembly; if no tested assembly is indicated, use Type X board, UL or VH listed.
 - 6. Thickness:
 - a. Vertical Surfaces: 5/8 inch.
 - b. Ceilings: 5/8 inch.
 - c. Multi-Layer Assemblies: Thicknesses as indicated on drawings.
 - 7. Mold Resistant Paper Faced Products:
 - a. Georgia-Pacific Gypsum; ToughRock Mold-Guard: www.gypgypsum.com/#sle.
 - 8. Glass Mat Faced Products:
 - a. Georgia-Pacific Gypsum; DensArmor Plus: www.gypgypsum.com/#sle.
 - b. Georgia-Pacific Gypsum; DensArmor Plus Fireguard C: www.gypgypsum.com/#sle.

- B. Backing Board For Non-Wet Areas:** Water-resistant gypsum backing board as defined in ASTM C1396/C1396M; sizes to minimum joints in place; ends square cut.
- 1. Application: Vertical surfaces behind thinset tile, except in wet areas.
 - 2. Mold Resistance: Score of 10, when tested in accordance with ASTM D3273.
 - 3. At Assemblies Indicated with Fire-Resistance Rating: Use type required by indicated tested assembly; if no tested assembly is indicated, use Type X board, UL or VH listed.
 - 4. Type: Regular and Type X, in locations indicated.
 - 5. Type X Thickness: 5/8 inch.
 - 6. Regular Board Thickness: 5/8 inch.
 - 7. Edges: Tapered.
 - 8. Products:
 - a. Georgia-Pacific Gypsum; DensShield Tile Backer.
- C. Ceiling Board:** Special sag resistant gypsum ceiling board as defined in ASTM C1396/C1396M; sizes to minimize joints in place; ends square cut.
- 1. Application: Ceilings, unless otherwise indicated.
 - 2. Thickness: 5/8 inch.
 - 3. Edges: Tapered.
 - 4. Products:
 - a. Georgia-Pacific Gypsum; ToughRock Span 24 Ceiling Board: www.gypgypsum.com/#sle.

- 2.4 GYPSUM WALLBOARD ACCESSORIES**
- A. Acoustic Sealant: Acrylic emulsion latex or water-based elastomeric sealant; do not use solvent-based non-curing butyl sealant.
 - B. Finishing Accessories: ASTM C1047, galvanized steel or rolled zinc, unless noted otherwise.
 - 1. Types: As detailed or required for finished appearance.
 - 2. Special Shapes: In addition to conventional corner bead and control joints, provide U-bead at exposed panel edges.
 - 3. Corner Beads: GA216; Type CB; electrogalvanized steel.
 - 4. Edge Trim: GA216; Type L bead; electrogalvanized steel and Type LC rolledformed zinc. Milcore No. 66 J-metal edge, or as approved by Architect, at unfinished gypsum board edges against other finish materials.
 - 5. Control Joint: U.S. Gypsum No. 093, rolledformed zinc.
 - 6. Products:
 - a. Same manufacturer as framing materials.
 - b. Phillips Manufacturing Co: www.phillipsmfg.com/#sle.
 - c. U.S. Gypsum.

- C. Joint Materials:** ASTM C475/C475M and as recommended by gypsum board manufacturer for project conditions.
- 1. Fiberglass Tape: 2 inch wide, coated glass fiber tape for joints and corners, except as otherwise indicated.
 - 2. Paper Tape: 2 inch wide, creased paper tape for joints and corners, except as otherwise indicated.
 - 3. Joint Compound: Setting type, field-mixed.
- D. Screws:** ASTM C1002 for steel drill screws. Type G for fastening to gypsum board and Type S for fastening to light gauge steel framing.
- E. Screws for Fastening of Gypsum Panel Products to Cold-Formed Steel Studs:** Less than 0.033 inches in Thickness and Wood Members: ASTM C1002; self-piercing tapping screws, corrosion-resistant.
- F. Screws for Fastening of Gypsum Panel Products to Steel Members:** From 0.033 to 0.112 inch in Thickness: ASTM C954; steel drill screws, corrosion-resistant.
- G. Drywall Primer:**
- 1. Paint material specifically formulated to fill the pores and equalize the suction difference between gypsum board surface paper and the compound used on finished joints, angles, fastener heads and accessories and over skim coatings.
 - 2. Drywall primer which is applied to the finished surface of the work specified in this section shall be provided as specified under Sections 099000 as applicable.
 - 3. A good quality, white latex drywall primer formulated with high binder solids, applied undiluted, and shall be applied to gypsum board surfaces prior to the application of texture materials.
- H. Anchorage to Substrate:** Tie wire, nails, screws, and other metal supports, of type and size to suit application; to rigidly secure materials in place.

- PART 3 EXECUTION**
- 3.1 EXAMINATION**
- A. Verify that project conditions are appropriate for work of this section to commence.
- 3.2 ACOUSTIC ACCESSORIES INSTALLATION**
- A. Acoustic Insulation: Place tightly within spaces, around cut openings, behind and around electrical and mechanical items within partitions, and light to items passing through partitions.
 - B. Acoustic Sealant: Install in accordance with manufacturer's instructions.
 - 1. Place one bead continuously on substrate before installation of perimeter framing members.
 - 2. Place continuous bead at perimeter of each layer of gypsum board.
 - 3. Seal around all penetrations by conduit, pipe, ducts, and rough-in boxes.

- 3.3 BOARD INSTALLATION**
- A. Comply with ASTM C840, GA-216, and manufacturer's instructions. Install to minimize butt end joints, especially in highly visible locations.
 - B. Single-Layer Nonrated: Install gypsum board in most economical direction, with ends and edges occurring over firm bearing.
 - 1. Exception: Tapered edges to receive joint treatment at right angles to framing.

SECTION 092116 - GYPSUM BOARD ASSEMBLIES (CONTINUED)

- C. Double-Layer Non-Rated:** Use gypsum board for first layer; placed perpendicular to framing or furring members, with ends and edges occurring over firm bearing. Place second layer perpendicular to first layer. Offset joints of second layer from joints of first layer. Secure the second layer to the first layer with adhesive and support to hold in place.
- D. Fire-Resistance-Rated Construction:** Install gypsum board in strict compliance with requirements of assembly listing.
- E. Exposed Gypsum Board in Interior Wet Areas:** Seal joints, cut edges, and holes with water-resistant sealant.
- F. Installation on Wood Framing:** For rated assemblies, comply with requirements of listing authority. For nonrated assemblies, install as follows:
 - 1. Single-Layer Applications: Screw attachment.
 - 2. Curved Surfaces: Apply gypsum board to curved substrates in accordance with GA-226.
 - 3. Moisture Protection: Treat cut edges and holes in moisture resistant gypsum board with sealant.
 - 4. Apply acoustical putty pads completely around all electrical boxes and other items penetrating into acoustically rated walls, walls with acoustical insulation and all Restroom wall conditions.
 - 1. Refer to Section 078400 - Firestopping.

- 3.4 INSTALLATION OF TRIM AND ACCESSORIES**
- A. Control Joints: Place control joints consistent with lines of building spaces and as indicated.
 - 1. Not more than 30 feet apart on walls and ceilings over 50 feet long.
 - 2. At exterior soffits, not more than 30 feet apart in both directions.
 - B. Corner Beads: Install at external corners, using longest practical lengths.
 - C. Edge Trim: Install at locations where gypsum board abuts dissimilar materials.

- 3.5 JOINT TREATMENT**
- A. Glass Mat Faced Gypsum Board: Use fiberglass joint tape, embed and finish with setting type joint compound.
 - B. Paper Faced Gypsum Board: Use paper joint tape, embed with drying type joint compound and finish with drying type joint compound.

- 3.6 FINISHES**
- A. Finish gypsum board in accordance with levels defined in ASTM C840, as follows:
 - 1. Level 4: Walls and ceilings to receive paint finish or wall coverings, unless otherwise indicated. (Typical finish for all interior locations, unless otherwise indicated) (Appearance areas to receive flat paints, light texture, or where backed wallcoverings are to be applied. This level of finish is not to be used where gloss, semigloss and enamel paints are to be applied.)
 - a. Joints and interior angles shall have tape embedded in joint compound and 2 separate coats of joint compound applied over flat joints and one separate coat of joint compound applied over interior angles.
 - b. Fastener heads and accessories shall be covered with 3 separate coats of joint compound.
 - c. Joint compound shall be smooth and free of tool marks and ridges.
 - d. Surface to be coated with Drywall Primer as specified herein prior to application of texture.
 - e. Untextured surfaces to be coated with Drywall Primer prior to application of final finishes as specified in Sections 099000 as applicable.
 - 2. Level 3: (Utility and Mechanical Spaces) (Appearance areas to receive heavy or medium texture (spray or hand applied) finishes before final painting, or where heavy grade wallcoverings are to be applied as final decoration. This level of finish is not to be used where smooth painted surface or light to medium wall coverings are to be applied.)
 - a. Joints and interior angles shall have tape embedded in joint compound and one additional coat of joint compound applied over joints and interior angles.
 - b. Fastener heads and accessories shall be covered with 2 separate coats of joint compound.
 - c. Joint compound shall be smooth and free of tool marks and ridges.
 - d. Surface to be coated with Drywall Primer as specified herein prior to application of texture.
 - e. Untextured surfaces to be coated with Drywall Primer prior to application of final finishes as specified in Sections 099000 as applicable.

- 3. Level 2: In utility areas, behind cabinetry, and on backing board to receive tile finish. (Areas to receive applied wall panels, wood paneling, applied products, etc.)
 - a. Joints and interior angles shall have tape embedded in joint compound and wiped with a joint knife leaving a thin coating joint compound over joints and interior angles.
 - b. Fastener heads and accessories shall be covered with a coat of joint compound.
 - c. Surface shall be free of excess joint compound.
 - d. Tool marks and ridges are acceptable.
 - e. Joint compound applied over the body of the tape at the time of tape embedment shall be considered a separate coat of joint compound and shall satisfy the conditions of this level.

- 4. Level 1: Fire rated wall areas above finished ceilings, in attics, in areas where the assembly will be concealed or in building service corridors and other areas not normally open to public view whether or not accessible in the completed construction.
 - a. Joints and interior angles shall have tape embedded in joint compound.
 - b. Surface shall be free of excess joint compound.
 - c. Tool marks and ridges are acceptable.

- 5. Level 0: Temporary partitions and surfaces indicated to be finished in later stage of project. No taping, finishing, or accessories required.
- B. Tape, fill, and sand exposed joints, edges, and corners to provide smooth surface ready to receive finishes.
 - 1. Feather coats of joint compound so that camber is maximum 1/32 inch.
 - 2. Taping, filling, and sanding are not required at surfaces behind adhesive applied ceramic tile and fixed cabinetry.
 - 3. Taping, filling, and sanding are not required at base layer of double-layer applications.

- C. Where Level 5 finish is indicated, spray apply high build drywall surfacer over entire surface after joints have been properly treated; achieve a flat and tool mark-free finish.
- D. Fill and finish joints and corners of cementitious backing board as recommended by manufacturer.

3.7 TOLERANCES

- A. Maximum Variation of Finished Gypsum Board Surface from True Flatness: 1/8 inch in 10 feet in any direction.

END OF SECTION 092116

SECTION 096813 - TILE CARPETING

- PART 1 GENERAL**
- 1.1 SECTION INCLUDES**
- A. Carpet tile, fully adhered.
 - B. Removal of existing carpet tile.
- 1.2 SUBMITTALS**
- A. See Section 013300 - Submittal Requirements, for submittal procedures.
 - B. Product Data: Provide data on specified product describing physical and performance characteristics; sizes, patterns, colors available, and method of installation.
 - C. Shop Drawings: Indicate layout of joints and pattern orientation.
 - D. Samples: Submit two carpet tiles illustrating color and pattern design for each carpet color selected.
 - E. Maintenance Data: Include maintenance procedures, recommended maintenance materials, and suggested schedule for cleaning.
 - F. Maintenance Materials: Furnish the following for Owner's use in maintenance of project.
 - 1. See Section 016000 - Product Requirements, for additional provisions.
 - 2. Extra Carpet Tiles: Quantity equal to 5 percent of total installed of each color and pattern installed.

- 1.3 QUALITY ASSURANCE**
- A. Manufacturer Qualifications: Company specializing in manufacturing specified carpet tile with minimum 10 years documented experience.
 - B. Installer Qualifications: Company specializing in installing carpet tile with minimum 5 years documented experience and approved by carpet tile manufacturer.
- 1.4 FIELD CONDITIONS**
- A. Store materials in area of installation for minimum period of 24 hours prior to installation.

- PART 2 PRODUCTS**
- 2.1 MANUFACTURERS**
- A. Approved Manufacturer: Tile Carpeting:
 - 1. Basis of Design: Shaw Industries Group, Inc., a Berkshire Hathaway Company: www.shawcontract.com.
 - B. Acceptable Manufacturers:
 - 1. Interface, Inc: www.interface.com/#sle.
 - 2. Milliken & Company: www.milliken.com/#sle.
 - 3. Mohawk Group: www.mohawkgroup.com/#sle.
 - 4. Or Approved Equal.

- 2.2 MATERIALS**
- A. Tile Carpeting:** Type F-2: Multi-Level Pattern Cut/Loop, manufactured in one color dye lot.
- 1. Location: As indicated on Drawings.
 - 2. Product: Tinge Tile - 5T156 manufactured by Shaw Contract.
 - 3. Collection: Vertical Layers
 - 4. Tile Size: 9 by 36 inch, nominal.
 - 5. Thickness: 0.092 inch.
 - 6. Color: Oxidized Iron - #6506.
 - 7. Pattern: Monolithic.
 - 8. Critical Radiant Flux: Minimum of 0.22 watts/sq cm, when tested in accordance with ASTM E648 or NFPA 253.
 - 9. Surface Flammability Ignition: Pass ASTM D2859 (the "pill test").
 - 10. VOC Content: Provide CRI (GLP) certified product; in lieu of labeling, independent test report showing compliance is acceptable.
 - 11. Maximum Electrostatic Charge: 3 Kv. at 20 percent relative humidity.

- 2.3 ACCESSORIES**
- A. Edge Strips:** Embossed aluminum, color as selected by Architect.
- B. Adhesives:**
- 1. Compatible with materials being adhered; maximum VOC content of 50 g/L; CRI (GLP) certified; in lieu of labeled product, independent test report showing compliance is acceptable.

PART 3 EXECUTION

- 3.1 EXAMINATION**
- A. Verify that subfloor surfaces are smooth and flat within tolerances specified for that type of work and are ready to receive carpet tile.
 - B. Verify that wall surfaces are smooth and flat within the tolerances specified for that type of work, are dust-free, and are ready to receive carpet tile.
 - C. Verify that subfloor surfaces are dust-free and free of substances that could impair bonding of adhesive materials to subfloor surfaces.
 - D. Cementitious Subfloor Surfaces: Verify that substrates are ready for flooring installation by testing for moisture and alkalinity (pH).
 - 1. Test in accordance with Section 090561.
 - 2. Obtain instructions if test results are not within limits recommended by flooring material manufacturer and adhesive materials manufacturer.
 - 3. Follow moisture and alkalinity remediation procedures in Section 090561.

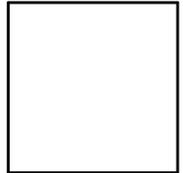
- 3.2 PREPARATION**
- A. Remove existing carpet tile.
 - B. Prepare floor substrates for installation of flooring in accordance with Section 090561.
- 3.3 INSTALLATION**
- A. Starting installation constitutes acceptance of subfloor conditions.
 - B. Install carpet tile in accordance with manufacturer's instructions.
 - C. Blend carpet from different cartons to ensure minimal variation in color match.
 - D. Cut carpet tile clean. Fit carpet tight to intersection with vertical surfaces without gaps.
 - E. Locate change of color or pattern between rooms under door centerline.

- 3.4 FULLY ADHERED CARPET TILE TO SUBSTRATE**
- A. Fully adhere carpet tile to substrate.
 - B. Trim carpet tile neatly at walls and around interruptions.
 - C. Complete installation of edge strips, concealing exposed edges.
- 3.4 A INSTALLATION ON STAIRS**
- A. Use one piece of carpet for each tread and the riser below. Apply seam adhesive to all cut edges.
 - B. Lay carpet with pile direction in the length of the stair.
 - C. Adhere carpet tight to stair treads and risers.
- 3.5 CLEANING**
- A. Remove excess adhesive without damage, from floor, base, and wall surfaces.
 - B. Clean and vacuum carpet surfaces.

END OF SECTION 096813



225 South Arlington Avenue ste. A
Reno NV, 89501
phone: 775.857.2949
fax: 775.857.2403
www.tska.com



THESE DRAWINGS AND SPECIFICATIONS ARE THE PROPERTY OF TATE SNYDER KIMSEY ARCHITECTS AND NOT BE REPRODUCED OR USED FOR ANY PURPOSE WITHOUT THE ARCHITECTS WRITTEN CONSENT. AS INSTRUMENTS OF SERVICE, THESE DOCUMENTS ARE NOT FINAL AND READY FOR USE, AND THEREFORE NOT VALID, UNLESS THEY ARE SEALED, SIGNED AND DATED. Copyright, Ltd 2015

Consultant



DCSO - RECORDS RENOVATION

1038 BUCKEYE ROAD
MINDEN, NV 89423

Job No: 20-052.00

Owner
DOUGLAS COUNTY

100%

REVISIONS		
REV	DATE	DESCRIPTION

Sheet Title
PROJECT SPECIFICATIONS

Date: Dec. 22, 2021
Sheet No:

A0.60

SECTION 099000 - PAINTING AND COATING

PART 1 GENERAL

1.1 SECTION INCLUDES

- A. Surface preparation.
- B. Interior painting and coating systems.
- C. Scope:
 - 1. Finish surfaces exposed to view, unless fully factory-finished and unless otherwise indicated, including the following:
 - a. Interior:
 - 1) Metal: Aluminum and galvanized.
 - 2) Wood: Doors and other miscellaneous wood as required.
 - 3) Drywall: Walls, ceilings, gypsum board, and similar items.

1.2 SUBMITTALS

- A. See Section 013300 - Submittal Requirements for submittal procedures.
- B. Product Data: Provide complete list of products to be used, with the following information for each:
 - 1. Product characteristics.
 - 2. Surface preparation instructions and recommendations.
 - 3. Primer requirements and finish specification.
 - 4. Storage and handling requirements and recommendations.
 - 5. Application methods.
 - 6. Clean-up information.
- C. Samples: Submit four paper draw down samples, 8-1/2 by 11 inches in size, illustrating range of colors available for each finishing product specified.
- D. Maintenance Data: Submit coating maintenance manual including finish schedule showing where each product/color/finish was used, product technical data sheets, safety data sheets (SDS), care and cleaning instructions, touch-up procedures, repair of painted and finished surfaces, and color samples of each color and finish used.
- E. Maintenance Materials: Furnish the following for Owner's use in maintenance of project.
 - 1. See Section 016000 - Product Requirements for additional provisions.
 - 2. Extra Paint and Finish Materials: 1 gallon of each color, from the same product run, store where directed.
 - 3. Label each container with color in addition to manufacturer's label.

1.3 QUALITY ASSURANCE

- A. Applicator Qualifications: Company specializing in performing the type of work specified with minimum 3 years experience and approved by manufacturer.

1.4 DELIVERY, STORAGE, AND HANDLING

- A. Deliver products to site in sealed and labeled containers; inspect to verify acceptability.
- B. Container Label: Include manufacturer's name, type of paint, product name, product code, color designation, VOC content, batch date, environmental handling, surface preparation, application, and use instructions.
- C. Paint Materials: Store at a minimum of 45 degrees F and a maximum of 90 degrees F, in ventilated area, and as required by manufacturer's instructions.
- D. Handling: Maintain a clean, dry storage area to prevent contamination or damage to materials.

1.5 FIELD CONDITIONS

- A. Do not apply materials when environmental conditions are outside the ranges required by manufacturer.
- B. Follow manufacturer's recommended procedures for producing the best results, including testing of substrates, moisture in substrates, and humidity and temperature limitations.

PART 2 PRODUCTS

2.1 MANUFACTURERS

- A. Basis of Design Products: Subject to compliance with requirements, provide Sherwin-Williams Company (The) products indicated, www.sherwin-williams.com/#sle.
- B. Comparable Products: Products of approved manufacturers will be considered in accordance with 016000 - Product Requirements, and the following:

2.2 PAINTINGS AND COATINGS

- A. General:
 - 1. Provide factory-mixed coatings unless otherwise indicated.
 - 2. Do not reduce, thin, or dilute coatings or add materials to coatings unless specifically indicated in manufacturer's instructions.
- B. Volatile Organic Compound (VOC) Content:
 - 1. Provide paints and finishes that comply with the most stringent requirements specified in the following:
 - a. 40 CFR 59, Subpart D--National Volatile Organic Compound Emission Standards for Architectural Coatings.
 - b. Ozone Transport Commission (OTC) Phase II Model Rule, Architectural and Industrial Maintenance Coatings; www.otcair.org.
 - c. Architectural coatings VOC limits of Nevada.
- C. Accessory Materials: Provide primers, sealers, cleaning agents, cleaning cloths, sanding materials, and clean-up materials as required for final completion of painted surfaces.

2.3 PAINT SYSTEMS - INTERIOR

- A. Metal: Aluminum and Galvanized.
 - 1. Medium duty applications include HM Doors and HM Door Frames.
- 2. Latex Systems:
 - a. Gloss Finish High Performance:
 - 1) 1st Coat: Sherwin-Williams Pro Industrial Pro-Cryl Universal Primer, B66-1310 Series: www.sherwin-williams.com/#sle.
 - 2) 2nd and 3rd Coat: Sherwin-Williams Pro Industrial Acrylic Gloss, B66-600 Series: www.sherwin-williams.com/#sle.
 - b. Semi-Gloss High Performance:
 - 1) 1st Coat: Sherwin-Williams Pro Industrial Pro-Cryl Universal Primer, B66-1310 Series: www.sherwin-williams.com/#sle.
 - 2) 2nd and 3rd Coat: Sherwin-Williams Pro Industrial Acrylic Semi-Gloss, B66-650 Series: www.sherwin-williams.com/#sle.
 - 3. Epoxy Systems, Water Based:
 - a. Semi-Gloss Finish:
 - 1) 1st Coat: Sherwin-Williams Pro Industrial Pro-Cryl Universal Primer, B66-1310 Series: www.sherwin-williams.com/#sle.
 - (a) 5 mils wet, 2 mils dry per coat.
 - 2) 2nd and 3rd Coat: Sherwin-Williams Pro Industrial Pre-Catalyzed Waterbased Epoxy, K46 Series: www.sherwin-williams.com/#sle.
 - (a) 4 mils wet, 1.5 mils dry per coat.
- B. Wood: Doors, Trim, and other miscellaneous wood as required.
 - 1. Latex Systems:
 - a. Gloss Finish:
 - 1) 1st Coat: Sherwin-Williams Premium Wall and Wood Primer, B28W8111: www.sherwin-williams.com/#sle.
 - (a) 4 mils wet, 1.8 mils dry per coat.
 - 2) 2nd and 3rd Coat: Sherwin-Williams ProClassic Waterborne Acrylic Gloss, B21-51 Series: www.sherwin-williams.com/#sle.
 - (a) 4 mils wet, 1.5 mils dry per coat.
 - b. Semi-Gloss Finish:
 - 1) 1st Coat: Sherwin-Williams Premium Wall and Wood Primer, B28W8111: www.sherwin-williams.com/#sle.
 - (a) 4 mils wet, 1.8 mils dry per coat.
 - 2) 2nd and 3rd Coat: Sherwin-Williams ProClassic Waterborne Acrylic Semi-Gloss, B31 Series: www.sherwin-williams.com/#sle.
 - (a) 4 mils wet, 1.3 mils dry per coat.
 - c. Eg-Shel/Satin Finish:
 - 1) 1st Coat: Sherwin-Williams Premium Wall and Wood Primer, B28W8111: www.sherwin-williams.com/#sle.
 - (a) 4 mils wet, 1.8 mils dry per coat.
 - 2) 2nd and 3rd Coat: Sherwin-Williams ProClassic Waterborne Acrylic Satin, B20 Series: www.sherwin-williams.com/#sle.
 - (a) 4 mils wet, 1.2 mils dry per coat.
- C. Drywall: Walls, ceilings, gypsum board, and similar items.
 - 1. Latex Systems:
 - a. Semi-Gloss Finish High Performance (HP):
 - 1) 1st Coat: Sherwin-Williams ProMar 200 Zero VOC Interior Latex Primer, B28W2600: www.sherwin-williams.com/#sle.
 - (a) 4 mils wet, 1.5 mils dry per coat.
 - 2) 2nd and 3rd Coat: Sherwin-Williams ProMar 200 HP Zero VOC Latex Semi-Gloss, B31-1950 Series: www.sherwin-williams.com/#sle.
 - (a) 4 mils wet, 1.6 mils dry per coat.
 - b. Eg-Shel Finish High Performance (HP):
 - 1) 1st Coat: Sherwin-Williams ProMar 200 Zero VOC Interior Latex Primer, B28W2600: www.sherwin-williams.com/#sle.
 - (a) 4 mils wet, 1.5 mils dry per coat.
 - 2) 2nd and 3rd Coat: Sherwin-Williams ProMar 200 HP Zero VOC Eg-Shel, B20-1950 Series: www.sherwin-williams.com/#sle.
 - (a) 4 mils wet, 1.7 mils dry per coat.
 - c. Low Sheen Finish High Performance (HP):
 - 1) 1st Coat: Sherwin-Williams ProMar 200 Zero VOC Interior Latex Primer, B28W2600: www.sherwin-williams.com/#sle.
 - (a) 4 mils wet, 1.5 mils dry per coat.
 - 2) 2nd and 3rd Coat: Sherwin-Williams ProMar 200 HP Zero VOC Latex Low Gloss Eg-Shel, B41-1950 Series: www.sherwin-williams.com/#sle.
 - (a) 4 mils wet, 1.6 mils dry per coat.
 - d. Flat Finish:
 - 1) 1st Coat: Sherwin-Williams ProMar 200 Zero VOC Interior Latex Primer, B28W2600: www.sherwin-williams.com/#sle.
 - (a) 4 mils wet, 1.5 mils dry per coat.
 - 2) 2nd and 3rd Coat: Sherwin-Williams ProMar 200 Zero VOC Latex Flat, B30-2600 Series: www.sherwin-williams.com/#sle.
 - (a) 4 mils wet, 1.6 mils dry per coat.

PART 3 EXECUTION

3.1 EXAMINATION

- A. Verify that surfaces are ready to receive work as instructed by the product manufacturer.
- B. Examine surfaces scheduled to be finished prior to commencement of work. Report any condition that may potentially effect proper application.
- C. Test shop-applied primer for compatibility with subsequent cover materials.

3.2 PREPARATION

- A. Clean surfaces thoroughly and correct defects prior to application.
- B. Prepare surfaces using the methods recommended by the manufacturer for achieving the best result for the substrate under the project conditions.
- C. Remove mildew from impervious surfaces by scrubbing with solution of water and bleach. Rinse with clean water and allow surface to dry.

SECTION 099000 - PAINTING AND COATING (CONTINUED)

PART 1 GENERAL

- D. Gypsum Board: Fill minor defects with filler compound, sand smooth and remove dust prior to painting.
 - E. Galvanized Surfaces:
 - 1. Remove surface contamination and oils and wash with solvent according to SSPC-SP 1.
 - 2. Prepare surface according to SSPC-SP 2.
 - F. Ferrous Metal:
 - 1. Solvent clean according to SSPC-SP 1.
 - 2. Shop-Primed Surfaces: Sand and scrape to remove loose primer and rust. Feather edges to make touch-up patches inconspicuous. Prime bare steel surfaces.
 - 3. Remove rust, loose mill scale, and other foreign substances using methods recommended by paint manufacturer and blast cleaning according to SSPC-SP 6. Protect from corrosion until coated.
 - G. Wood: Remove dust, grit, and foreign matter. Scrape, sand, and spot prime knots and pitch streaks. Fill nail holes and imperfections with wood filler and sand smooth.
- 3.3 APPLICATION**
- A. Remove unfinished louvers, grilles, covers, and access panels on mechanical and electrical components and paint separately.
 - B. Apply products in accordance with manufacturer's written instructions.
 - C. Apply coatings at spread rate required to achieve manufacturer's recommended dry film thickness.
 - D. Regardless of number of coats specified, apply additional coats until complete hide is achieved.
- 3.4 PRIMING**
- A. Apply primer to all surfaces unless specifically not required by coating manufacturer. Apply in accordance with coating manufacturer's instructions.
 - B. Primers specified in painting schedules may be omitted on items that are factory primed or factory finished if acceptable to top coat manufacturers.
- 3.5 CLEANING**
- A. Collect waste material that could constitute a fire hazard, place in closed metal containers, and remove daily from site.
 - B. Clean surfaces immediately of overspray, splatter, and excess material.
 - C. After coating has cured, clean and replace finish hardware, fixtures, and fittings previously removed.
- 3.6 PROTECTION**
- A. Protect finished coatings from damage until completion of project.
 - B. Touch-up damaged finishes after Substantial Completion.
- END OF SECTION 099000**



225 South Arlington Avenue ste. A
Reno NV, 89501
phone: 775.857.2949
fax: 775.857.2403
www.tska.com



THESE DRAWINGS AND SPECIFICATIONS ARE THE PROPERTY OF TATE SNYDER KIMSEY ARCHITECTS AND MAY NOT BE REPRODUCED OR USED FOR ANY PURPOSE WITHOUT THE ARCHITECTS WRITTEN CONSENT. AS INSTRUMENTS OF SERVICE, THESE DOCUMENTS ARE NOT FINAL AND READY FOR USE, AND THEREFORE NOT VALID, UNLESS THEY ARE SEALED, SIGNED AND DATED.
Copyright, Ltd 2015

Consultant



Project

DCSO - RECORDS RENOVATION

**1038 BUCKEYE ROAD
MINDEN, NV 89423**

Job No: 20-052.00

Owner

DOUGLAS COUNTY

100%

REVISIONS	
REV	DESCRIPTION

Sheet Title

PROJECT SPECIFICATIONS

Date: Dec. 22, 2021

Sheet No:

A0.70



225 South Arlington Avenue ste. A
 Reno NV, 89501
 phone: 775.857.2949
 fax: 775.857.2403
 www.tska.com



THESE DRAWINGS AND SPECIFICATIONS ARE THE PROPERTY OF TATE SNYDER KIMSEY ARCHITECTS AND MAY NOT BE REPRODUCED OR USED FOR ANY PURPOSE WITHOUT THE ARCHITECTS WRITTEN CONSENT. AS INSTRUMENTS OF SERVICE, THESE DOCUMENTS ARE NOT FINAL AND READY FOR USE, AND THEREFORE NOT VALID, UNLESS THEY ARE SEALED, SIGNED AND DATED. Copyright, Ltd 2015

Consultant

PLEASE RECYCLE

Project
DCSO - RECORDS RENOVATION

1038 BUCKEYE ROAD
 MINDEN, NV 89423

Job No: 20-052.00

Owner
DOUGLAS COUNTY

GENERAL NOTES

- 1 EXISTING DRAWINGS - ARE NOT AVAILABLE FOR THIS BUILDING. THE GENERAL CONTRACTOR SHALL DO EXPLORATORY FIELD INVESTIGATION AND NOTIFY THE ARCHITECT OF ANY DISCREPANCIES IN A TIMELY MANNER.
- 2 THESE DRAWINGS (ALL DISCIPLINES) ARE A COHESIVE SET OF DRAWINGS. EACH TRADE SHALL REVIEW ALL ARCHITECTURAL AND ENGINEERED DRAWINGS FOR INFORMATION THAT CROSSES OVER VARIOUS TRADES.
- 3 CONTRACTOR TO FIELD VERIFY ALL DIMENSIONS AND CONFIRM EXISTING CONDITIONS PRIOR TO COMMENCING WORK.
- 4 CONTRACTOR TO NOTIFY ARCHITECT OF ANY DISCREPANCIES WITH CONTRACT DOCUMENTS AS SOON AS POSSIBLE.
- 5 SEE PLUMBING AND ELECTRICAL DRAWINGS FOR ADDITIONAL INFORMATION.
- 6 ALL DIMENSIONS ARE TAKEN FROM FACE-OF-EXISTING-FINISH OR FACE-OF-STUD UNLESS NOTED OTHERWISE.
- 7 FINISH FLOOR FOR PROJECT IS 100'-0".
- 8 DOOR JAMBS AT HINGE SIDE SHALL BE A MINIMUM OF 4 INCHES FROM FACE OF PERPENDICULAR WALL, U.N.O.

KEYNOTES

- 1 REMOVE (E) CASEWORK/COUNTER
- 2 REMOVE (E) WINDOW SYSTEM
- 3 REMOVE (E) DOOR
- 4 REPAIR, PATCH AND PAINT TERMINATING WALL AFTER DEMOLITION OF EXISTING WALL. SEE FINISH SCHEDULE.
- 5 REMOVE (E) OVERHEAD COILING DOOR
- 6 REMOVE (E) CARPET IN ITS ENTIRETY
- 7 REMOVE PORTION (E) CARPET (HATCHED)
- 8 REMOVE NON-BEARING WALL
- 9 REMOVE (E) CEILING SYSTEM IN ITS ENTIRETY
- 10 REMOVE PORTION OF (E) CEILING SYSTEM
- 11 REMOVE PORTION OF WALL FOR NEW WINDOW SYSTEM

LEGEND

- WALL TO BE DEMOLISHED
- WINDOW TO BE DEMOLISHED
- DOOR TO BE DEMOLISHED
- SUSPENDED ACOUSTIC CEILING TO BE DEMOLISHED
- LIGHT FIXTURE TO BE DEMOLISHED - SEE ELECTRICAL
- DIFFUSER TO BE DEMOLISHED - SEE MECHANICAL
- TO BE DEMOLISHED

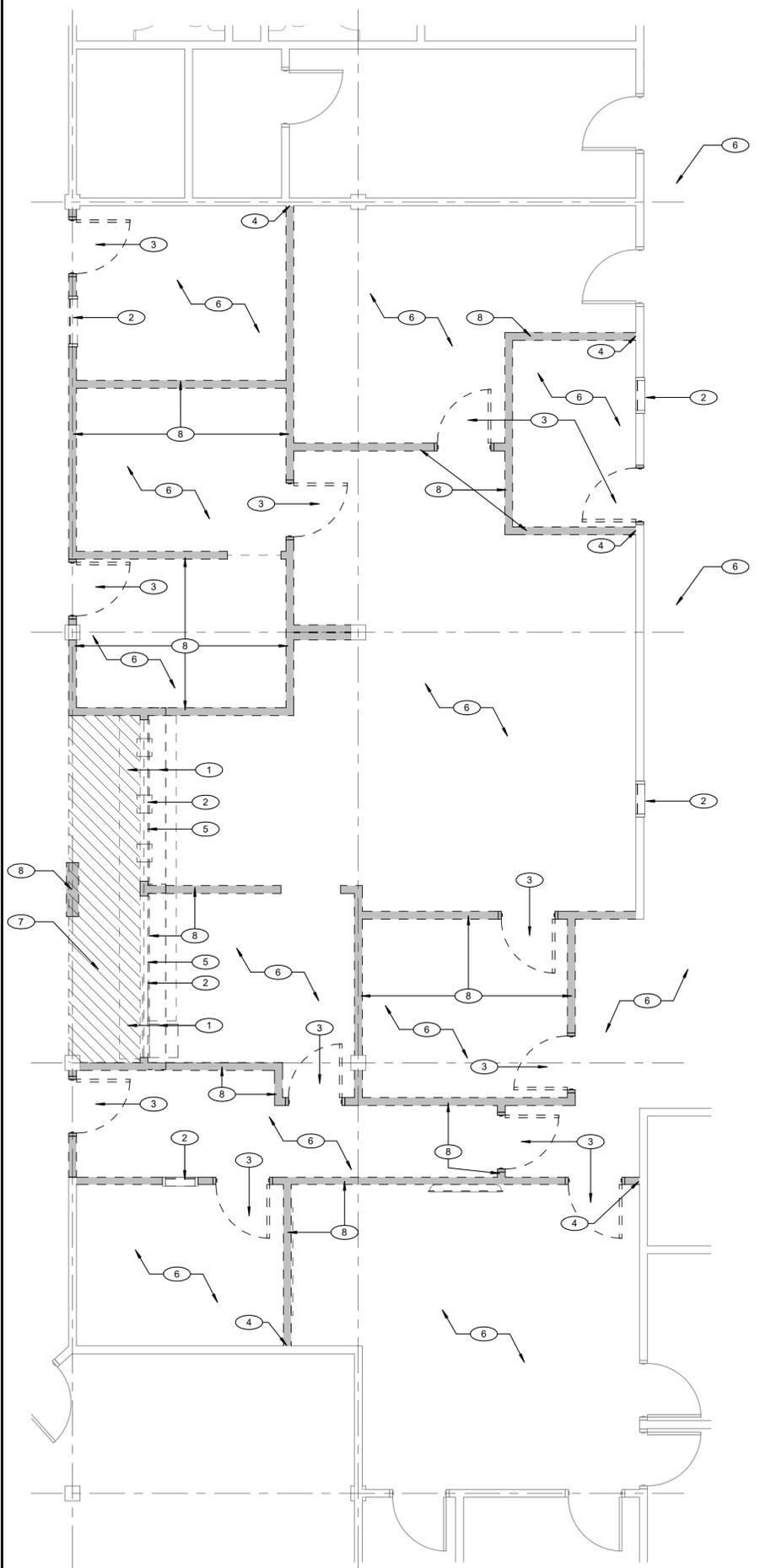
100%

REVISIONS		
REV	DATE	DESCRIPTION

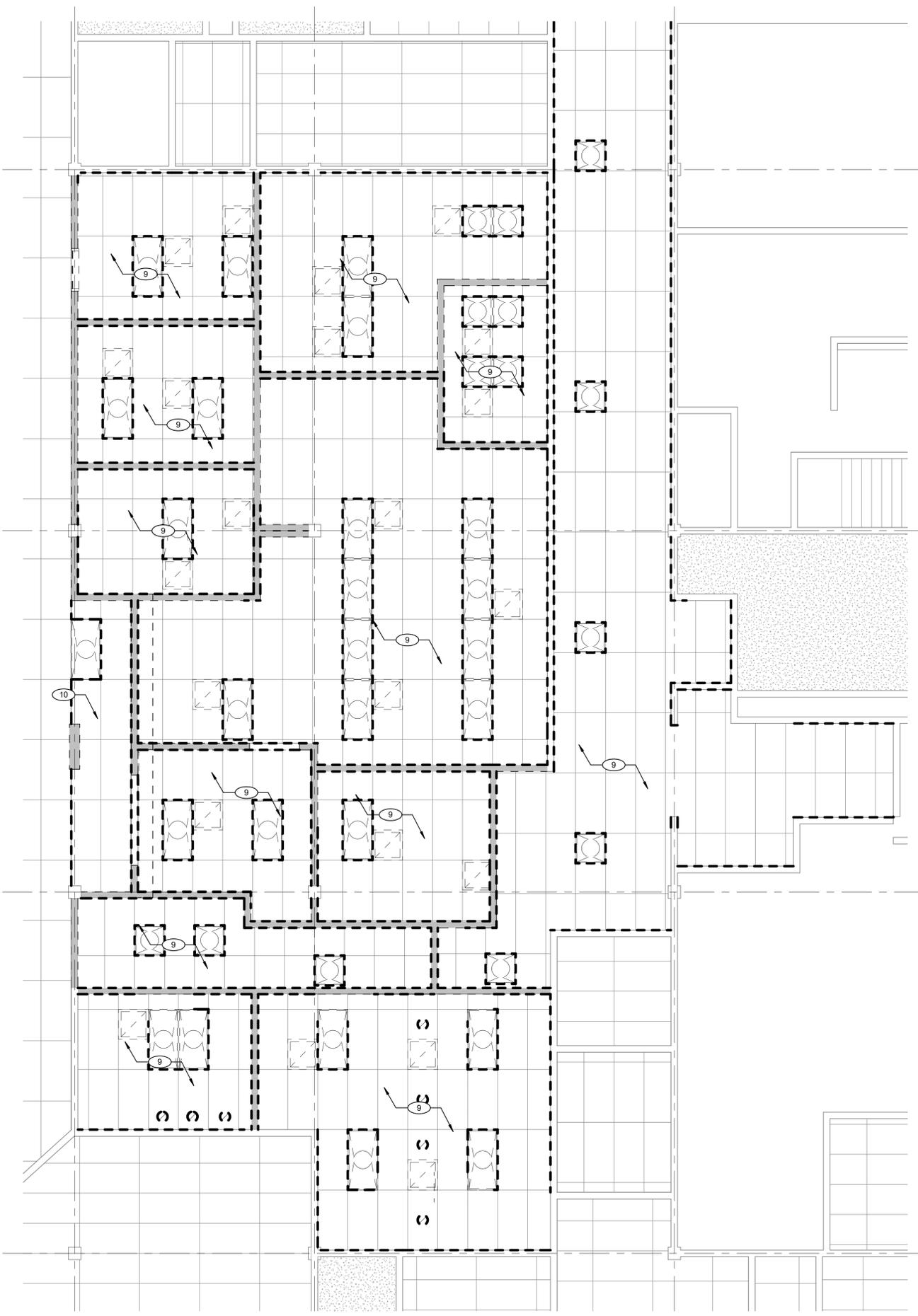
Sheet Title
ENLARGED DEMOLITION PLANS - LEVEL 1

Date: Dec. 22, 2021
 Sheet No:

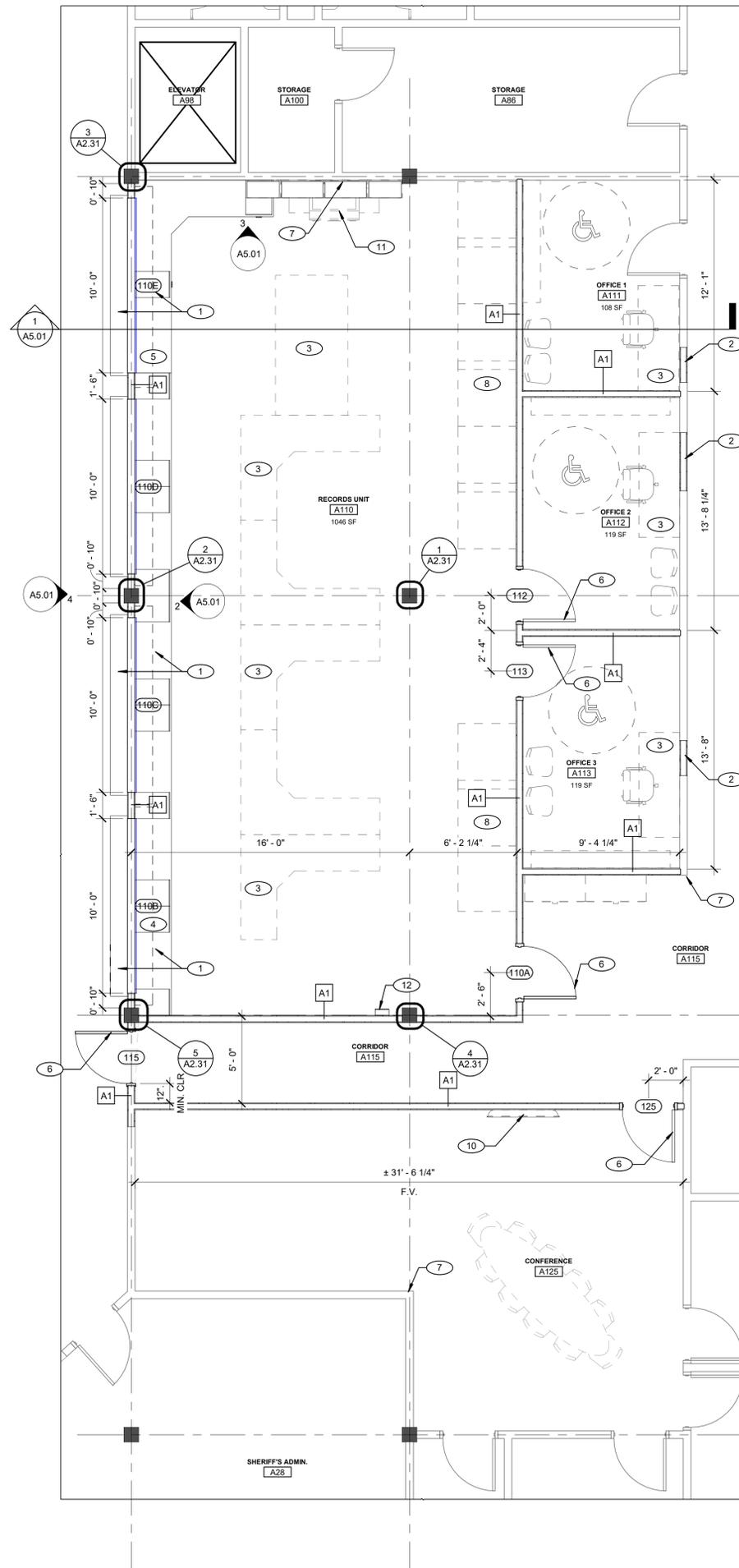
AD1.31



1 ENLARGED DEMOLITION FLOOR PLAN - LEVEL 1
 SCALE: 1/4" = 1'-0"



2 ENLARGED DEMOLITION REFLECTED CEILING PLAN - LEVEL 1
 SCALE: 1/4" = 1'-0"



1 ENLARGED FLOOR PLAN - LEVEL 1
SCALE: 1/4" = 1'-0"



GENERAL NOTES

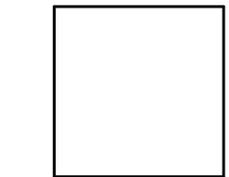
- 1 EXISTING DRAWINGS - ARE NOT AVAILABLE FOR THIS BUILDING. THE GENERAL CONTRACTOR SHALL DO EXPLORATORY FIELD INVESTIGATION AND NOTIFY THE ARCHITECT OF ANY DISCREPANCIES IN A TIMELY MANNER.
- 2 THESE DRAWINGS (ALL DISCIPLINES) ARE A COHESIVE SET OF DRAWINGS. EACH TRADE SHALL REVIEW ALL ARCHITECTURAL AND ENGINEERED DRAWINGS FOR INFORMATION THAT CROSSES OVER VARIOUS TRADES.
- 3 CONTRACTOR TO FIELD VERIFY ALL DIMENSIONS AND CONFIRM EXISTING CONDITIONS PRIOR TO COMMENCING WORK.
- 4 CONTRACTOR TO NOTIFY ARCHITECT OF ANY DISCREPANCIES WITH CONTRACT DOCUMENTS AS SOON AS POSSIBLE.
- 5 SEE PLUMBING AND ELECTRICAL DRAWINGS FOR ADDITIONAL INFORMATION.
- 6 ALL DIMENSIONS ARE TAKEN FROM FACE-OF-EXISTING-FINISH OR FACE-OF-STUD UNLESS NOTED OTHERWISE.
- 7 FINISH FLOOR FOR PROJECT IS 100'-0".
- 8 DOOR JAMBS AT HINGE SIDE SHALL BE A MINIMUM OF 4 INCHES FROM FACE OF PERPENDICULAR WALL, U.N.O.

KEYNOTES

- 1 NEW CASEWORK. SEE DETAILS
- 2 (N) WALL INFILL, INCLUDE SOUND INSULATION. MATCH ADJACENT FINISH. SEE FINISH SCHEDULE.
- 3 FURNITURE - OWNER PROVIDED AND INSTALLED (EXISTING)
- 4 MOTORIZED OVERHEAD COILING DOOR. SEE INTERIOR ELEVATIONS AND DETAILS
- 5 FINGERPRINTING COUNTERWINDOW
- 6 NEW DOOR. SEE DOOR SCHEDULE.
- 7 REPAIR, PATCH AND PAINT FROM DEMOLITION OF WALL
- 8 ROTARY STORAGE - OWNER PROVIDED AND INSTALLED (EXISTING)
- 9 SECURITY WINDOW PASS-THRU, TYP.
- 10 WALL MOUNTED TV - OWNER PROVIDED AND INSTALLED
- 11 COPIER - OWNER PROVIDED AND INSTALLED (EXISTING)
- 12 NEW FIRE EXTINGUISHER AND CABINET



225 South Arlington Avenue ste. A
Reno NV, 89501
phone: 775.857.2949
fax: 775.857.2403
www.tska.com



THESE DRAWINGS AND SPECIFICATIONS ARE THE PROPERTY OF TATE SNYDER KIMSEY ARCHITECTS AND MAY NOT BE REPRODUCED OR USED FOR ANY PURPOSE WITHOUT THE ARCHITECTS WRITTEN CONSENT. AS INSTRUMENTS OF SERVICE, THESE DOCUMENTS ARE NOT FINAL AND READY FOR USE, AND THEREFORE NOT VALID, UNLESS THEY ARE SEALED, SIGNED AND DATED.
Copyright, Ltd 2015

Consultant



Project
DCSO - RECORDS RENOVATION

1038 BUCKEYE ROAD
MINDEN, NV 89423

Job No: 20-052.00
Owner
DOUGLAS COUNTY

100%

REVISIONS		
REV	DATE	DESCRIPTION

Sheet Title
ENLARGED FLOOR PLANS - LEVEL 1

Date: Dec. 22, 2021
Sheet No:

A1.21



225 South Arlington Avenue ste. A
Reno NV, 89501
phone: 775.857.2949
fax: 775.857.2403
www.tska.com



THESE DRAWINGS AND SPECIFICATIONS ARE THE PROPERTY OF TATE SNYDER KIMSEY ARCHITECTS AND MAY NOT BE REPRODUCED OR USED FOR ANY PURPOSE WITHOUT THE ARCHITECTS WRITTEN CONSENT. AS INSTRUMENTS OF SERVICE, THESE DOCUMENTS ARE NOT FINAL AND READY FOR USE, AND THEREFORE NOT VALID, UNLESS THEY ARE SEALED, SIGNED AND DATED.
Copyright, Ltd 2015

Consultant



Project

DCSO - RECORDS RENOVATION

1038 BUCKEYE ROAD
MINDEN, NV 89423

Job No: 20-052.00

Owner

DOUGLAS COUNTY

100%

REVISIONS		
REV	DATE	DESCRIPTION

Sheet Title

MATERIAL/FINISH/DOOR SCHEDULE

Date: Dec. 22, 2021

Sheet No:

A2.01

DOOR SCHEDULE

DR. NO.	RM. NO.	PR	PANEL			FRAME						HDWR	LABEL	REMARKS		
			SIZE			TYPE	MAT'L	TYPE	MAT'L	HEAD DTL	SILL DTL				JAMB DTL LATCH	JAMB DTL HINGE
			W	H	T											
110A	A110		3' - 0"	7' - 0"	1 3/4"	B	SCWD	1	HM	2/A2.41	N/A	3/A2.41	3/A2.41	2		
110B	A110		10' - 0"	4' - 0"	1"	C	STL								MOTORIZED	
110C	A110		10' - 0"	4' - 0"	1"	C	STL								MOTORIZED	
110D	A110		10' - 0"	4' - 0"	1"	C	STL								MOTORIZED	
110E	A110		10' - 0"	4' - 8"	1"	C	STL								MOTORIZED	
112	A112		3' - 0"	7' - 0"	1 3/4"	A	SCWD	1	HM	2/A2.41	N/A	3/A2.41	3/A2.41	2		
113	A113		3' - 0"	7' - 0"	1 3/4"	A	SCWD	1	HM	2/A2.41	N/A	3/A2.41	3/A2.41	2		
115	A115		3' - 0"	7' - 0"	1 3/4"	B	SCWD	1	HM	2/A2.41	N/A	3/A2.41	3/A2.41	2		
125	A125		3' - 0"	7' - 0"	1 3/4"	A	SCWD	1	HM	2/A2.41	N/A	3/A2.41	3/A2.41	1	CARD ACCESS TO MATCH/INTEGRATE W/ EXISTING	

ROOM FINISH SCHEDULE

RM. NO.	ROOM NAME	FLOORING		CEILING		WALLS				COMMENTS
		MAT'L	BASE	MAT'L	HEIGHT	NORTH MATERIAL	WEST MATERIAL	SOUTH MATERIAL	EAST MATERIAL	
A110	RECORDS UNIT	F-1	B-1	C-1	9' - 0"	PC-1	PC-1	PC-1	PC-1	
A111	OFFICE 1	F-2	B-1	C-1	9' - 0"	PC-1	PC-1	PC-1	PC-1	
A112	OFFICE 2	F-2	B-1	C-1	9' - 0"	PC-1	PC-1	PC-1	PC-1	
A113	OFFICE 3	F-2	B-1	C-1	9' - 0"	PC-1	PC-1	PC-1	PC-1	
A115	CORRIDOR	F-2	B-1	C-1	9' - 0"	PC-1	PC-1	NO WORK	NO WORK	
A125	CONFERENCE	F-1	B-1	C-1	9' - 0"	PC-1	PC-1	PC-1	PC-1	

SIGNAGE SCHEDULE

NOTE: ALL ROOM NUMBERS AND SIGNAGE TEXT TO BE VERIFIED WITH OWNER PRIOR TO FABRICATION						
DOOR			SIGNAGE			
DR NO	RM NO	ROOM NAME	NO	TEXT	TYPE	NOTES
72	A125	CONFERENCE				
101	A115	CORRIDOR				
110A	A110	RECORDS UNIT				
112	A112	OFFICE 2				
113	A113	OFFICE 3				
C57II	A125	CONFERENCE				

PAINT COLOR SCHEDULE

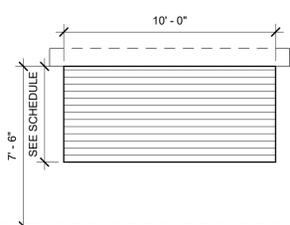
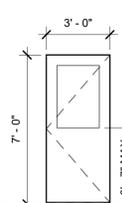
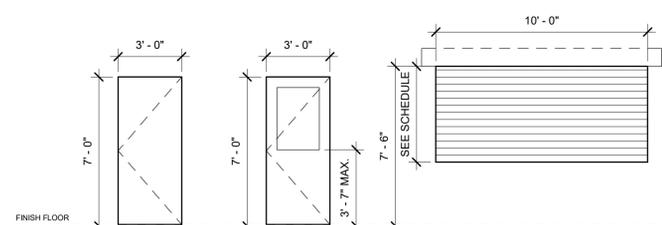
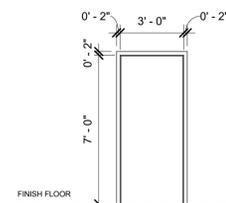
KEY	DESCRIPTION	COLOR	LOCATION
PC-1	WHITE	TO MATCH EXISTING	

CASEWORK SCHEDULE

Type Mark	Type	SIZE			REMARKS	Count
		W	H	D		
230	18"w x 24"d x 34.5"h	18"	32 1/2"	24"		2
254	18"w x 24"d x 40.5"h	18"	40 1/2"	24"		11
300	30"w x 12"d x 30"h	30"	30"	12"		2
300.1	24"w x 12"d x 30"h	24"	30"	12"		2
T1110	36"w x 12"d x 84"h	36"	84"	12"		1

BUILDING MATERIAL SCHEDULE - INTERIOR

KEY	DESCRIPTION	MANUFACTURER (BASIS OF DESIGN)	MODEL NUMBER	COLOR	REMARKS
BASE					
B-1	4" RUBBER BASE	ROPPE		TBD	4" TALL
CEILING					
C-1	ACOUSTICAL CEILING TILE	ARMSTRONG	USG MARS OR ARMSTRONG ULTIMA	WHITE	
CORNER GUARDS					
CG-1	3" x 3" x 5" - STAINLESS STEEL				3" x 3" x 5" - STAINLESS STEEL
COUNTERTOP					
ML-1	COUNTERTOP. SEE DETAILS.	Formica	9532-43	Smoked Sea Salt	Artisan Finish
FLOORING					
F-1	CARPET	ShawContract	Style Name: Tinge Tile - Style Number: 5T156	Oxidized Iron (#56506)	Herringbone Pattern - SEE SPECIFICATIONS
PLASTIC LAMINATE					
PL-1		Formica	Chelsea Maple	Chelsea Maple	
WALLS					
W-1	PAINTED GYPSUM BOARD	SHERWIN WILLIAMS		PC-1	MATCH EXISTING



FRAME TYPES

SCALE: 1/4" = 1'-0"

PANEL TYPES

SCALE: 1/4" = 1'-0"

HARDWARE GROUP #1:

HINGES: HAGER BB1279 4-1/2" X 4-1/2"
LOCKSET: SCHLAGE ND80 R SPA
ELECTRIC STRIKE: VON DUPRIN 6211-
SURFACE CLOSURE: LCN 4040XP RWPA TBSRT 113/4"
WALL DOOR STOP: IVES WS406/407CCV

US26D
626
630
689
US26D

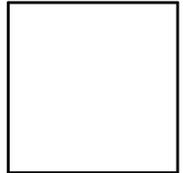
HARDWARE GROUP #2:

HINGES: HAGER BB1279 4-1/2" X 4-1/2"
LOCKSET: SCHLAGE ND50PD R SPA
WALL DOOR STOP: IVES WS406/407CCV

US26D
626
US26D

DOOR HARDWARE

SCALE: 1/4" = 1'-0"



THESE DRAWINGS AND SPECIFICATIONS ARE THE PROPERTY OF TATE SNYDER KIMSEY ARCHITECTS AND MAY NOT BE REPRODUCED OR USED FOR ANY PURPOSE WITHOUT THE ARCHITECTS WRITTEN CONSENT. AS INSTRUMENTS OF SERVICE, THESE DOCUMENTS ARE NOT FINAL AND READY FOR USE, AND THEREFORE NOT VALID, UNLESS THEY ARE SEALED, SIGNED AND DATED.
 Copyright, Ltd 2015

Consultant

PLEASE RECYCLE

Project
DCSO - RECORDS RENOVATION

1038 BUCKEYE ROAD
 MINDEN, NV 89423

Job No: 20-052.00

Owner
DOUGLAS COUNTY

100%

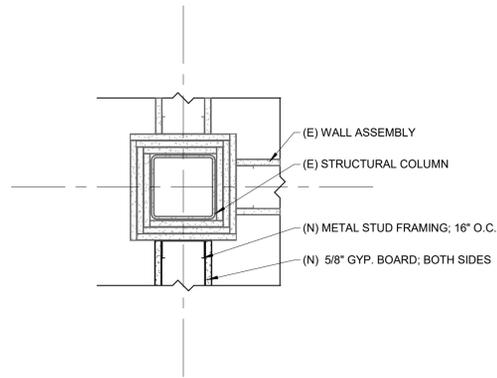
REVISIONS		
REV	DATE	DESCRIPTION

Sheet Title
PARTITION TYPES & DETAILS

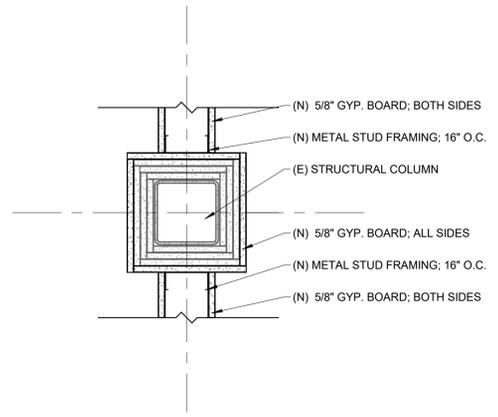
Date: Dec. 22, 2021

Sheet No:

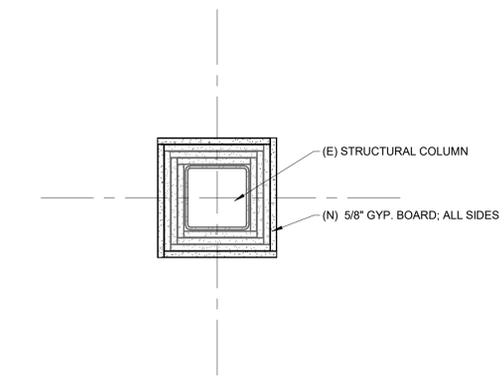
A2.31



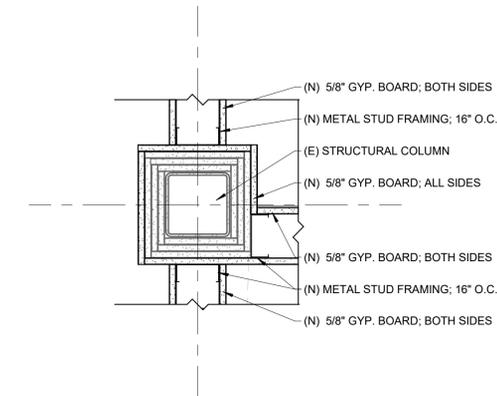
3 ENLARGED COLUMN DETAIL
 SCALE: 1 1/2" = 1'-0"



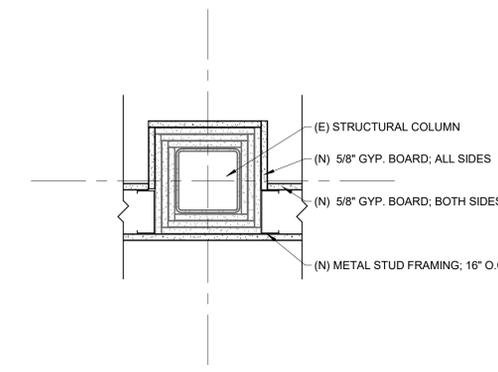
2 ENLARGED COLUMN DETAIL
 SCALE: 1 1/2" = 1'-0"



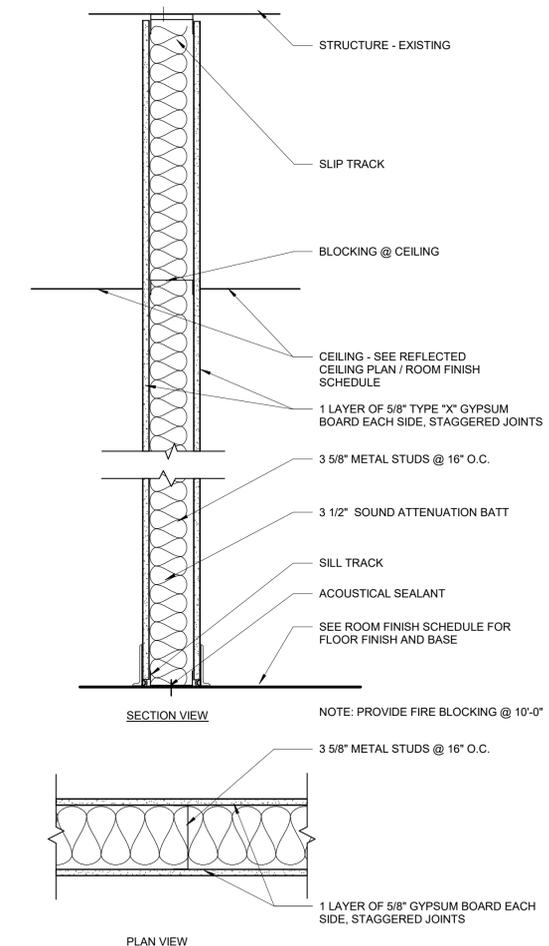
1 ENLARGED COLUMN DETAIL
 SCALE: 1 1/2" = 1'-0"



5 ENLARGED COLUMN DETAIL
 SCALE: 1 1/2" = 1'-0"



4 ENLARGED COLUMN DETAIL
 SCALE: 1 1/2" = 1'-0"



PARTITION TYPE
 SCALE: 1 1/2" = 1'-0"

3 5/8" METAL STUDS

A1



THESE DRAWINGS AND SPECIFICATIONS ARE THE PROPERTY OF TATE SNYDER KIMSEY ARCHITECTS AND MAY NOT BE REPRODUCED OR USED FOR ANY PURPOSE WITHOUT THE ARCHITECTS WRITTEN CONSENT. AS INSTRUMENTS OF SERVICE, THESE DOCUMENTS ARE NOT FINAL AND READY FOR USE, AND THEREFORE NOT VALID, UNLESS THEY ARE SEALED, SIGNED AND DATED.
Copyright, Ltd 2015

Consultant

PLEASE RECYCLE

Project
DCSO - RECORDS RENOVATION

1038 BUCKEYE ROAD
MINDEN, NV 89423

Job No: 20-052.00

Owner
DOUGLAS COUNTY

100%

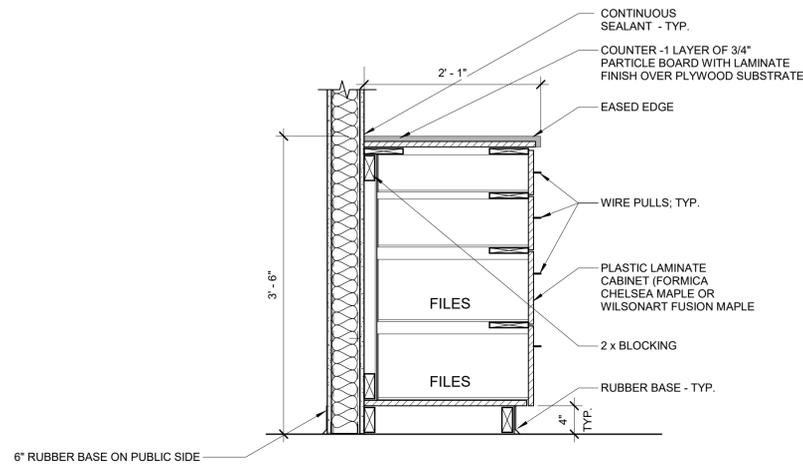
REVISIONS		
REV	DATE	DESCRIPTION

Sheet Title
TYPICAL DETAILS

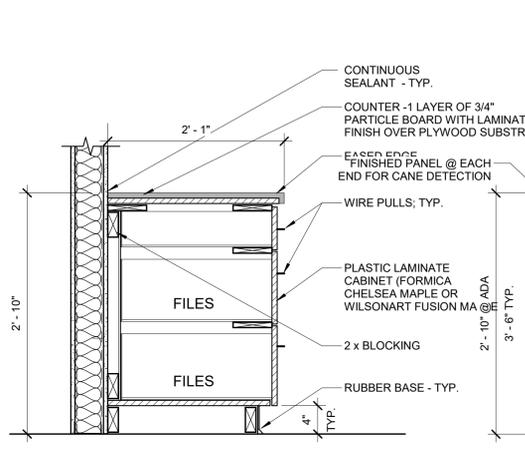
Date: Dec. 22, 2021

Sheet No:

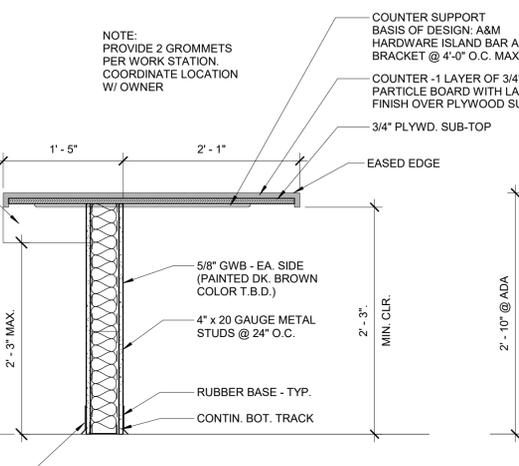
A2.41



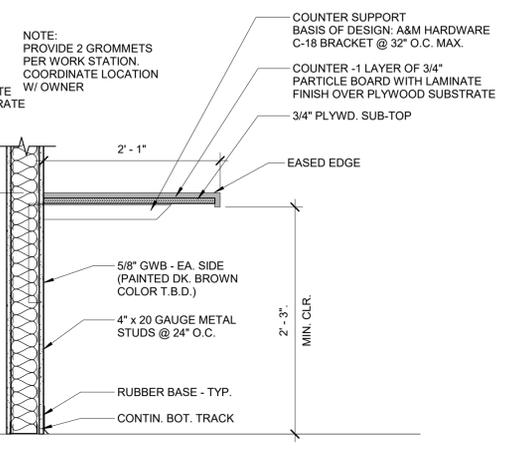
8 CABINET SECTION
SCALE: 1" = 1'-0"



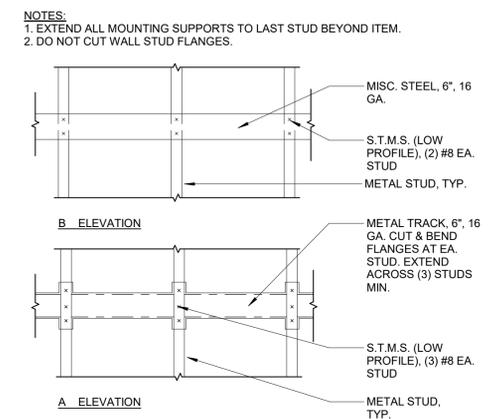
7 CABINET SECTION
SCALE: 1" = 1'-0"



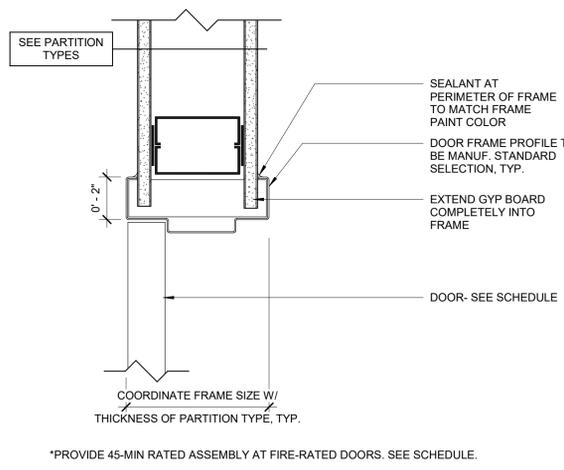
6 COUNTER SECTION @ WINDOW
SCALE: 1" = 1'-0"



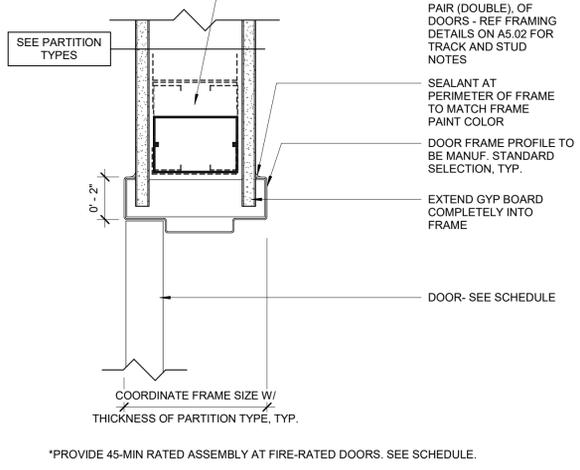
5 COUNTER SECTION
SCALE: 1" = 1'-0"



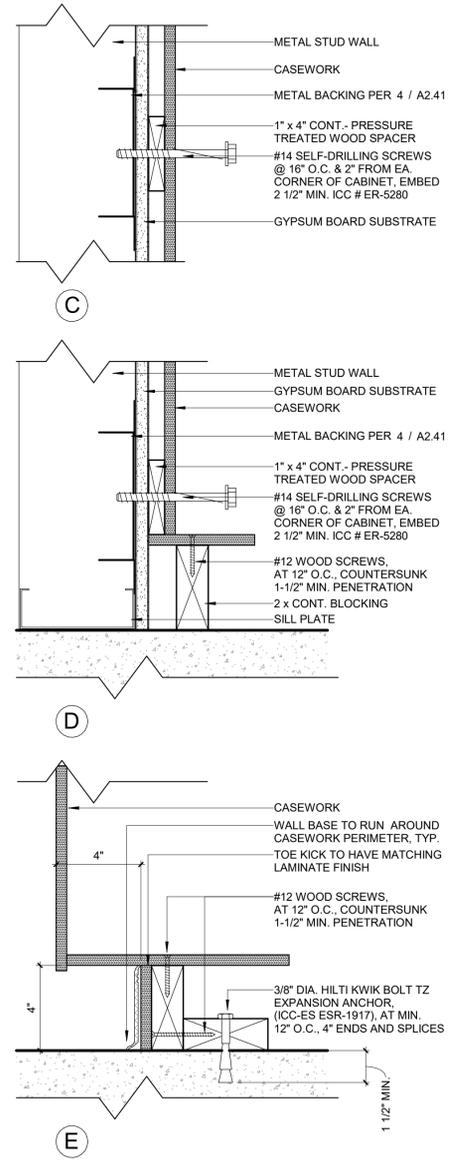
4 TYPICAL MOUNTING SUPPORTS
SCALE: 1" = 1'-0"



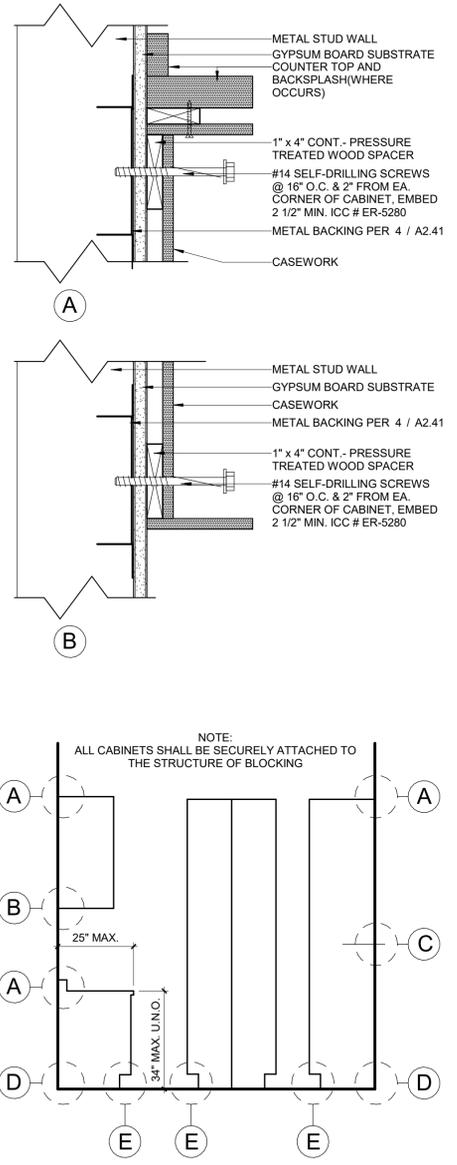
3 JAMB DETAIL
SCALE: 3" = 1'-0"



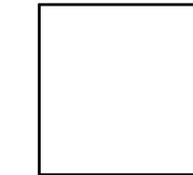
2 HEAD DETAIL
SCALE: 3" = 1'-0"



1 CASEWORK ANCHORAGE
SCALE: 3" = 1'-0"



1



THESE DRAWINGS AND SPECIFICATIONS ARE THE PROPERTY OF TATE SNYDER KIMSEY ARCHITECTS AND MAY NOT BE REPRODUCED OR USED FOR ANY PURPOSE WITHOUT THE ARCHITECTS WRITTEN CONSENT. AS INSTRUMENTS OF SERVICE, THESE DOCUMENTS ARE NOT FINAL AND READY FOR USE, AND THEREFORE NOT VALID, UNLESS THEY ARE SEALED, SIGNED AND DATED. Copyright, Ltd 2015

Consultant

PLEASE RECYCLE

Project

DCSO - RECORDS RENOVATION

1038 BUCKEYE ROAD
MINDEN, NV 89423

Job No: 20-052.00

Owner

DOUGLAS COUNTY

100%

REVISIONS	
REV	DESCRIPTION

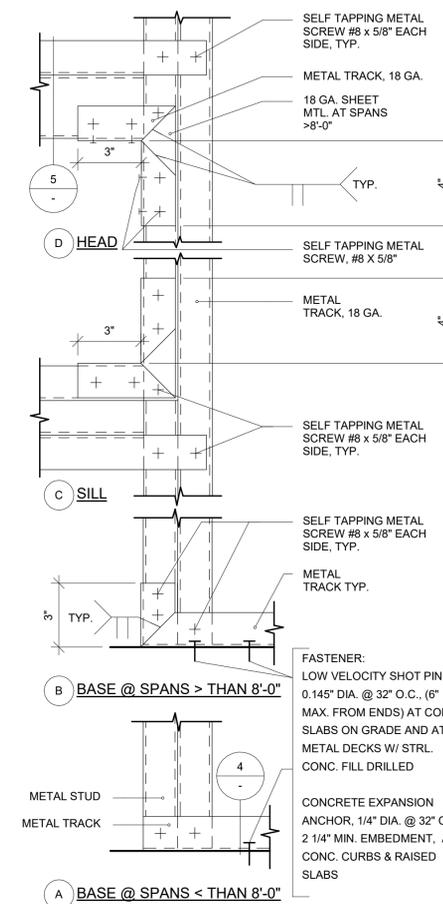
Sheet Title

TYPICAL DETAILS

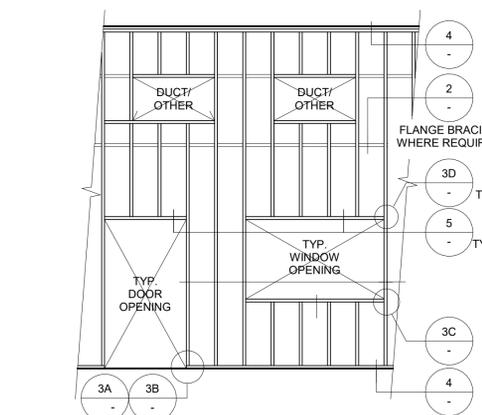
Date: Dec. 22, 2021

Sheet No:

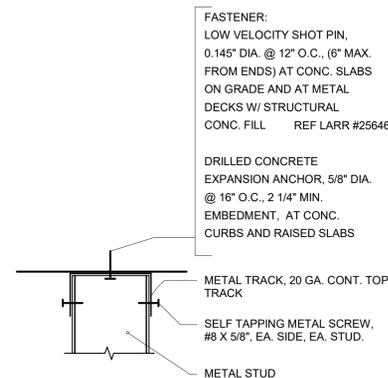
A2.42



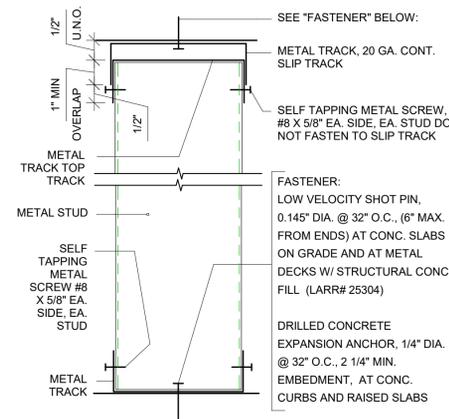
3 TYPICAL OPENING FRAMING AT JAMB
SCALE: 3" = 1'-0"



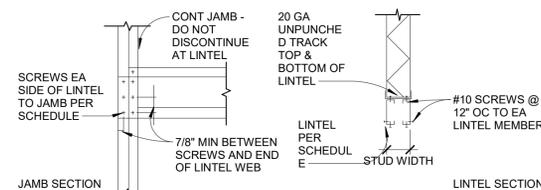
1 TYPICAL WALL & OPENING FRAMING
SCALE: 1/4" = 1'-0"



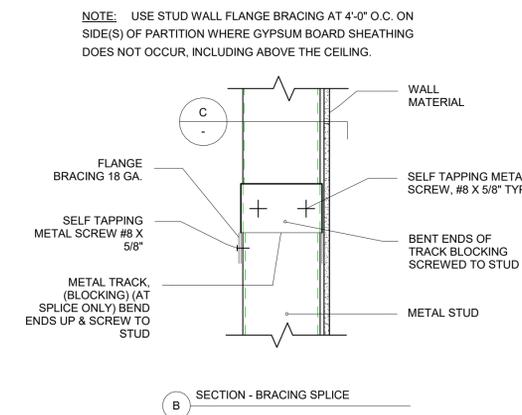
7 TYPICAL HANGING FRAMING
SCALE: 3" = 1'-0"



4 FRAMING ANCHORAGE
SCALE: 3" = 1'-0"



5 TYPICAL HEADER FRAMING AT OPENINGS
SCALE: 3" = 1'-0"



MINIMUM METAL TRACK PROPERTIES:

DEPTH	GAUGE	A(IN2)	Sx(IN3)	Ix(IN4)
3 5/8"	16	0.346	0.378	0.723
4"	16	0.367	0.431	0.904
6"	16	0.480	0.756	2.344

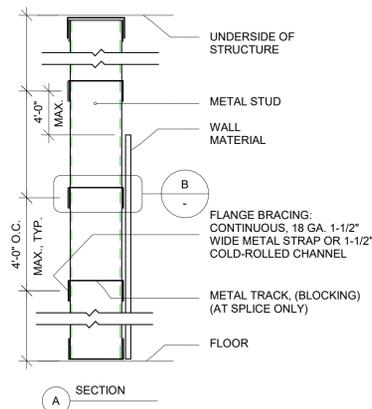
MINIMUM METAL STUD PROPERTIES:

DEPTH	GAUGE	A(IN2)	Sx(IN3)	Ix(IN4)	MAX HT. (16" O.C. SPACING)	MAX HT. (12" O.C. SPACING)
3 5/8"	20	0.215	0.232	0.421	13'-7"	15'-0"
3 5/8"	18	0.278	0.298	0.540	14'-10"	16'-4"
3 5/8"	16	0.344	0.365	0.661	15'-10"	17'-5"
4"	20	0.228	0.265	0.531	15'-1"	16'-8"
4"	18	0.295	0.341	0.682	16'-6"	18'-2"
4"	16	0.365	0.418	0.835	17'-8"	19'-5"
6"	20	0.297	0.470	1.409	20'-5"	23'-0"
6"	18	0.385	0.606	1.817	22'-10"	25'-2"
6"	16	0.479	0.745	2.236	24'-6"	26'-11"

ICC-ES ESR-1166P

INTERIOR FRAMING STRUCTURAL PROPERTIES

6 SCALE: N.T.S.



2 TYPICAL INTERMITTENT BRACING DETAIL (FLANGE BRACING)
SCALE: N.T.S.

LINTEL SCHEDULE

SPAN	LINTEL SIZE	#10 SCREWS EA SIDE OF LINTEL TO JAMB
UP TO 6'-0"	(2) 4XC20	4 SCREWS (8 TOTAL)
6'-0" TO 8'-0"	(2) 6XC20	5 SCREWS (10 TOTAL)
8'-0" TO 10'-0"	(2) 6XC20	6 SCREWS (12 TOTAL)

A 0" TO 8'-0" OPENING WIDTH



THESE DRAWINGS AND SPECIFICATIONS ARE THE PROPERTY OF TATE SNYDER KIMSEY ARCHITECTS AND MAY NOT BE REPRODUCED OR USED FOR ANY PURPOSE WITHOUT THE ARCHITECTS WRITTEN CONSENT. AS INSTRUMENTS OF SERVICE, THESE DOCUMENTS ARE NOT FINAL AND READY FOR USE, AND THEREFORE NOT VALID, UNLESS THEY ARE SEALED, SIGNED AND DATED. Copyright, Ltd 2015

Consultant

PLEASE RECYCLE

Project
DCSO - RECORDS RENOVATION

1038 BUCKEYE ROAD
MINDEN, NV 89423

Job No: 20-052.00

Owner
DOUGLAS COUNTY

GENERAL NOTES

- EXISTING DRAWINGS - ARE NOT AVAILABLE FOR THIS BUILDING. THE GENERAL CONTRACTOR SHALL DO EXPLORATORY FIELD INVESTIGATION AND NOTIFY THE ARCHITECT OF ANY DISCREPANCIES IN A TIMELY MANNER.
- THESE DRAWINGS (ALL DISCIPLINES) ARE A COHESIVE SET OF DRAWINGS. EACH TRADE SHALL REVIEW ALL ARCHITECTURAL AND ENGINEERED DRAWINGS FOR INFORMATION THAT CROSSES OVER VARIOUS TRADES.
- CONTRACTOR TO FIELD VERIFY ALL DIMENSIONS AND CONFIRM EXISTING CONDITIONS PRIOR TO COMMENCING WORK.
- CONTRACTOR TO NOTIFY ARCHITECT OF ANY DISCREPANCIES WITH CONTRACT DOCUMENTS AS SOON AS POSSIBLE.
- SEE PLUMBING AND ELECTRICAL DRAWINGS FOR ADDITIONAL INFORMATION.
- ALL DIMENSIONS ARE TAKEN FROM FACE-OF-EXISTING-FINISH OR FACE-OF-STUD UNLESS NOTED OTHERWISE.
- FINISH FLOOR FOR PROJECT IS 100'-0".
- DOOR JAMBS AT HINGE SIDE SHALL BE A MINIMUM OF 4 INCHES FROM FACE OF PERPENDICULAR WALL, U.N.O.

KEYNOTES

Blank area for keynotes.

LEGEND

- 24' x 48' SUSPENDED ACOUSTIC CEILING TILE
- 2'x4' LAY-IN LIGHT FIXTURE - SEE ELECTRICAL
- RECESSED LIGHT FIXTURE - SEE ELECTRICAL
- AIR DIFFUSER - SEE MECHANICAL

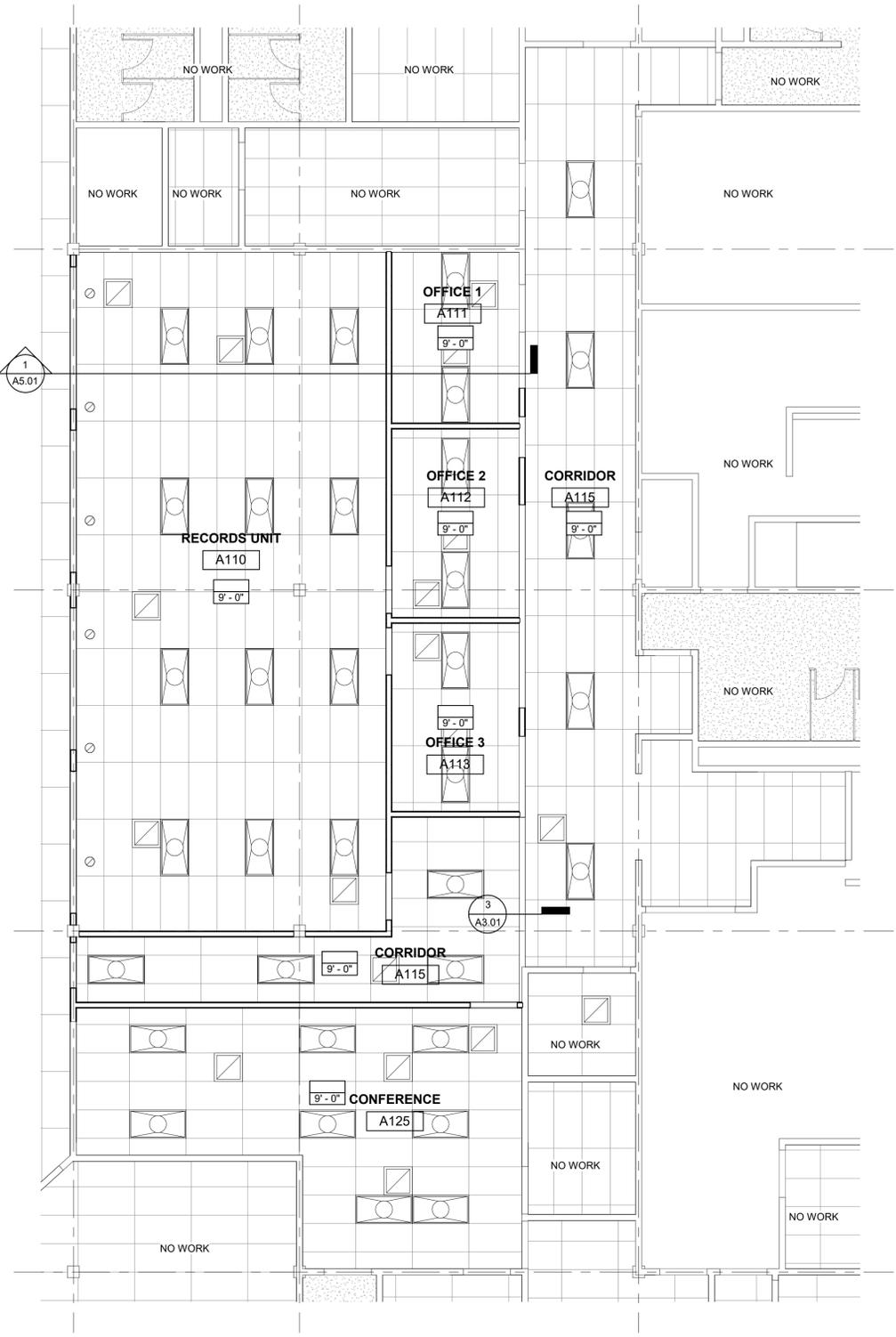
REVISIONS		
REV	DATE	DESCRIPTION

Sheet Title
REFLECTED CEILING PLAN LEVEL 1

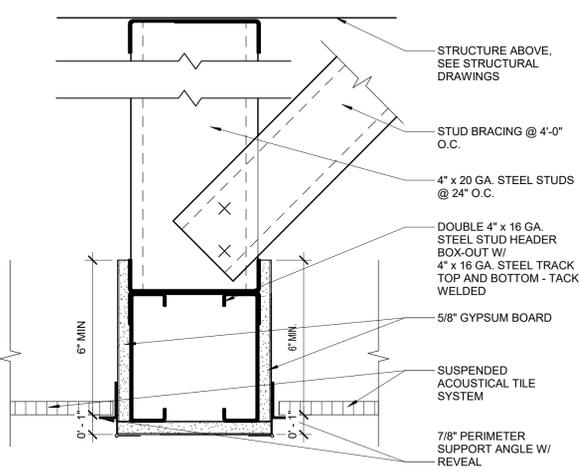
Date: Dec. 22, 2021

Sheet No:

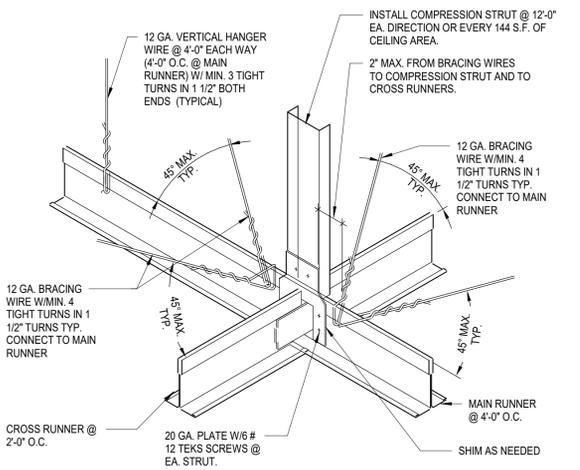
A3.01



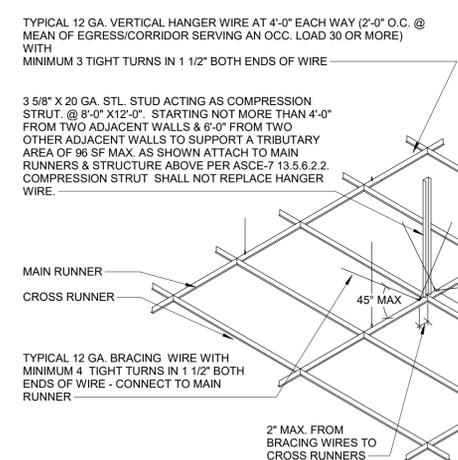
1 REFLECTED CEILING PLAN LEVEL 1
SCALE: 3/16" = 1'-0"



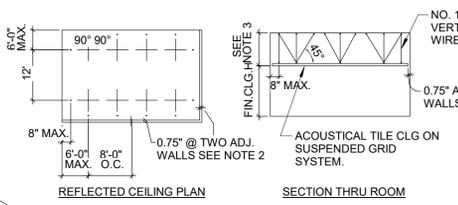
3 BULKHEAD DETAIL
SCALE: 3" = 1'-0"



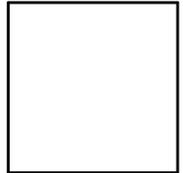
4 COMPRESSION STRUT AT GRID, TYP.
SCALE: 12" = 1'-0"



2 SUSPENDED ACOUSTICAL CEILING SYSTEM, TYP.
SCALE: 1 1/2" = 1'-0"



- NOTE:
- BRACING WIRES SECURED TO MAIN RUNNERS WITHIN 2" OF THE CROSS RUNNER INTERSECTION & SPLOYED 90° FROM EACH OTHER AT AN ANGLE NOT EXCEEDING 45° FROM THE PLANE OF THE CEILING.
 - IN EACH ORTHOGONAL HORIZONTAL DIRECTION, ONE END OF THE CEILING GRID SHALL BE ATTACHED TO A MINIMUM 2" WIDE CLOSURE ANGLE. THE OTHER END IN EACH HORIZONTAL DIRECTION SHALL HAVE A 0.75" CLEARANCE FROM THE WALL AND SHALL REST UPON AND BE FREE TO SLIDE ON A CLOSURE ANGLE.
 - WHEN THE DISTANCE BETWEEN THE STRUCTURAL DECK AND THE CEILING EXCEED 4', THIS SPACING OF THE VERTICAL HANGERS SHALL NOT EXCEED 2' O.C. ALONG THE ENTIRE MEANS OF EGRESS SERVICING ON OCCUPANT LOAD OF 30 OR MORE, AND AT LOBBIES ACCESSORY TO A GROUP A OCCUPANCIES.



THESE DRAWINGS AND SPECIFICATIONS ARE THE PROPERTY OF TATE SNYDER KIMSEY ARCHITECTS AND MAY NOT BE REPRODUCED OR USED FOR ANY PURPOSE WITHOUT THE ARCHITECTS WRITTEN CONSENT. AS INSTRUMENTS OF SERVICE, THESE DOCUMENTS ARE NOT FINAL AND READY FOR USE, AND THEREFORE NOT VALID, UNLESS THEY ARE SEALED, SIGNED AND DATED. Copyright, Ltd 2015

Consultant

PLEASE RECYCLE

Project
DCSO - RECORDS RENOVATION

1038 BUCKEYE ROAD
 MINDEN, NV 89423

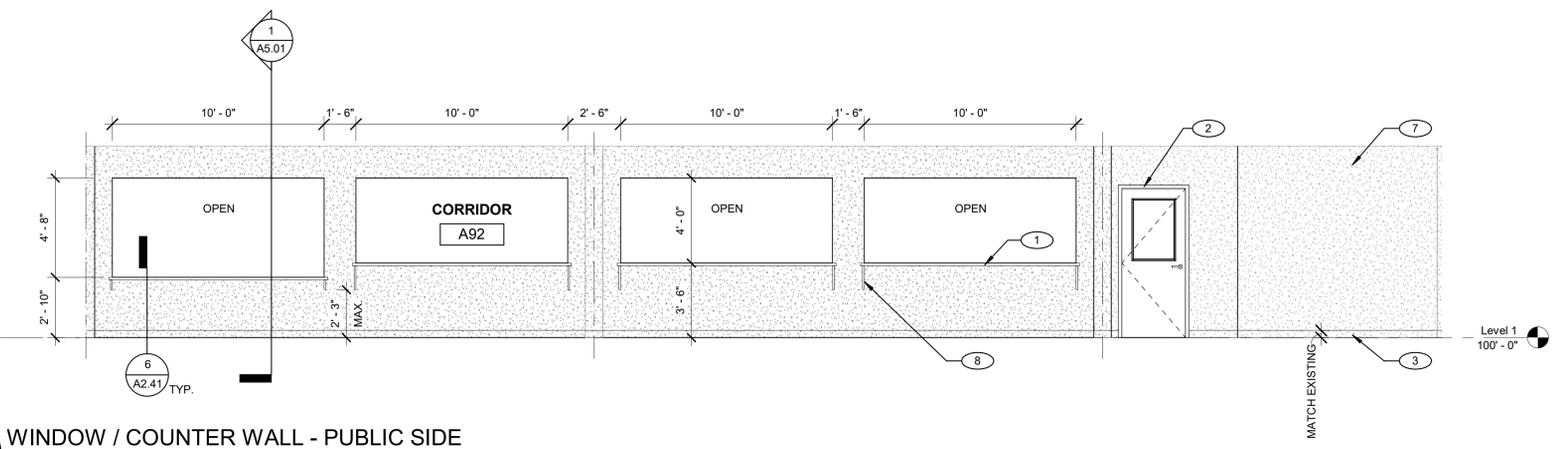
Job No: 20-052.00
 Owner
DOUGLAS COUNTY

GENERAL NOTES

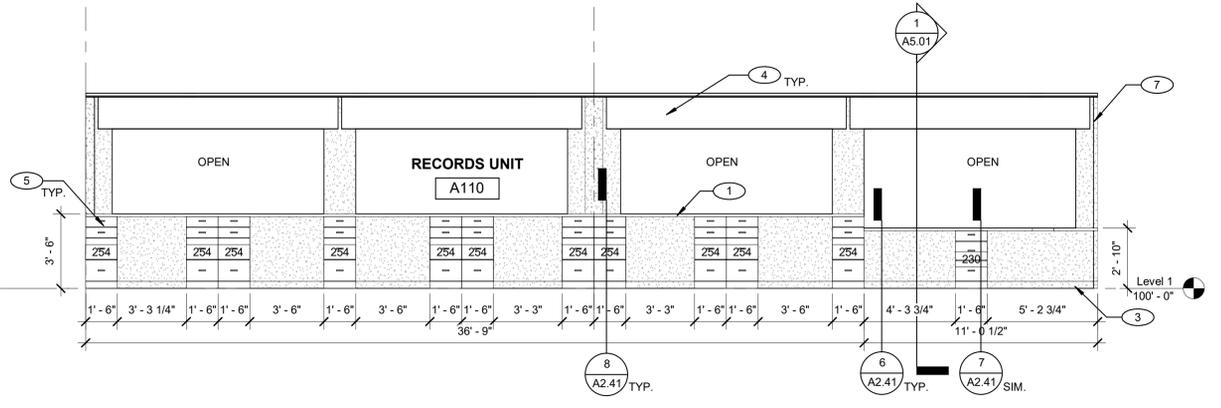
- 1 EXISTING DRAWINGS - ARE NOT AVAILABLE FOR THIS BUILDING. THE GENERAL CONTRACTOR SHALL DO EXPLORATORY FIELD INVESTIGATION AND NOTIFY THE ARCHITECT OF ANY DISCREPANCIES IN A TIMELY MANNER.
- 2 THESE DRAWINGS (ALL DISCIPLINES) ARE A COHESIVE SET OF DRAWINGS. EACH TRADE SHALL REVIEW ALL ARCHITECTURAL AND ENGINEERED DRAWINGS FOR INFORMATION THAT CROSSES OVER VARIOUS TRADES.
- 3 CONTRACTOR TO FIELD VERIFY ALL DIMENSIONS AND CONFIRM EXISTING CONDITIONS PRIOR TO COMMENCING WORK.
- 4 CONTRACTOR TO NOTIFY ARCHITECT OF ANY DISCREPANCIES WITH CONTRACT DOCUMENTS AS SOON AS POSSIBLE.
- 5 SEE PLUMBING AND ELECTRICAL DRAWINGS FOR ADDITIONAL INFORMATION.
- 6 ALL DIMENSIONS ARE TAKEN FROM FACE-OF-EXISTING-FINISH OR FACE-OF-STUD UNLESS NOTED OTHERWISE.
- 7 FINISH FLOOR FOR PROJECT IS 100'-0".
- 8 DOOR JAMBS AT HINGE SIDE SHALL BE A MINIMUM OF 4 INCHES FROM FACE OF PERPENDICULAR WALL, U.N.O.

KEYNOTES

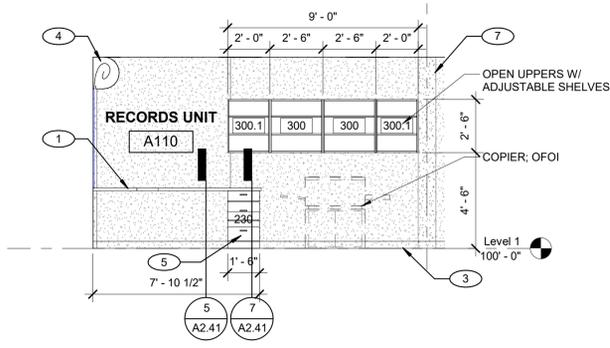
- 1 COUNTERTOP, SEE FINISH SCHEDULE
- 2 DOOR AND FRAME, SEE DOOR SCHEDULE
- 3 WALL BASE, SEE FINISH SCHEDULE
- 4 OVERHEAD COILING DOOR - SEE DOOR SCHEDULE
- 5 CASEWORK, SEE FINISH SCHEDULE
- 6 NEW CEILING, SEE RCP PLAN
- 7 WALL PAINT TO MATCH EXISTING
- 8 FINISH PANEL FOR CANE DETECTION; TYP.



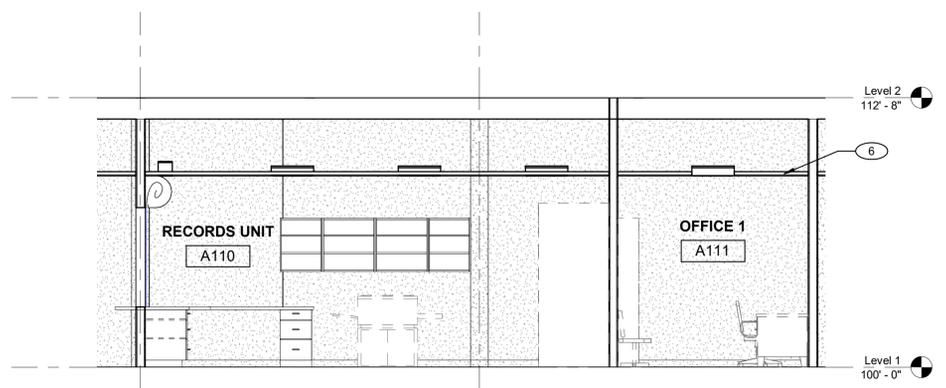
4 WINDOW / COUNTER WALL - PUBLIC SIDE
 SCALE: 1/4" = 1'-0"



2 WINDOW / COUNTER WALL - OFFICE SIDE
 SCALE: 1/4" = 1'-0"



3 COUNTER - RECORDS
 SCALE: 1/4" = 1'-0"



1 E/W SECTION - LEVEL 1
 SCALE: 1/4" = 1'-0"

100%

REVISIONS		
REV	DATE	DESCRIPTION

Sheet Title
INTERIOR ELEVATIONS & SECTION - RECORDS

Date: Dec. 22, 2021
 Sheet No:

A5.01



THESE DRAWINGS AND SPECIFICATIONS ARE THE PROPERTY OF TATE SNYDER KIMSEY ARCHITECTS AND MAY NOT BE REPRODUCED OR USED FOR ANY PURPOSE WITHOUT THE ARCHITECTS WRITTEN CONSENT. AS INSTRUMENTS OF SERVICE, THESE DOCUMENTS ARE NOT FINAL AND READY FOR USE, AND THEREFORE NOT VALID, UNLESS THEY ARE SEALED, SIGNED AND DATED.

Copyright, Ltd 2015

Consultant

PLEASE RECYCLE

Project

DCSO - RECORDS RENOVATION

1038 BUCKEYE ROAD MINDEN, NV 89423

Job No: 20-034.10

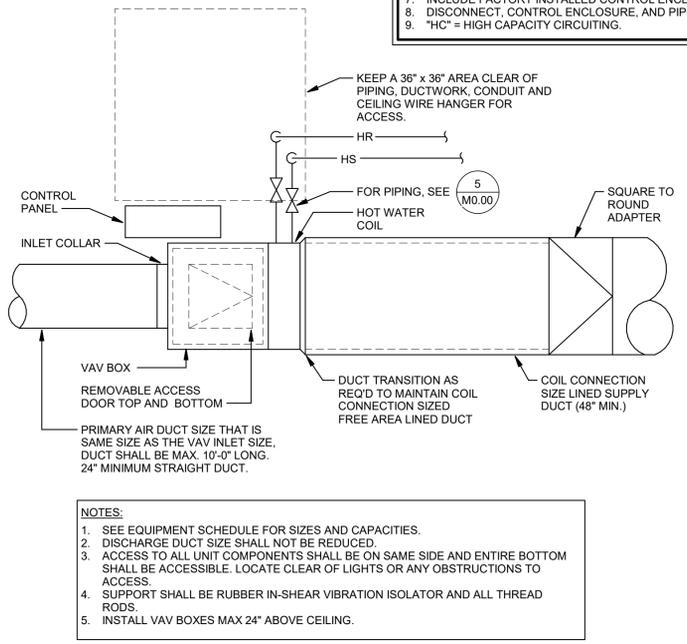
Owner

DOUGLAS COUNTY

TERMINAL UNIT SCHEDULE

Tag	Room	Model	Size		Inlet Velocity				CFM				Static Pressure				NC Levels				Hot Water Heat Coil			
			Unit	Outlet	Max	Min	Max	Min	Max	Min	Inlet	Down	Min	Rad	Dis	CFM	MBH	EAT	EWTD	LAT	LWT	GPM	Wpd	APd
TU 117	OFFICE A111, OFFICE A112, OFFICE A113	SDR	8	12x10	1504	430	525	150	1	0.25	0.17	15	-	265	14.1	55	180	111.5	157.5	1.3	0.06	0.16	2	
TU 118	RECORDS UNIT A110	SDR	10	14x12.5	1513	458	825	250	1	0.25	0.19	-	-	415	19.6	55	180	105.2	146.3	1.2	0.07	0.18	2	

NOTES:
 1. DASHES (-) INDICATE SOUND POWER LEVELS BELOW 36-29-26-22-19-17 FOR EACH OCTAVE BAND; VALUES BELOW THESE SOUND POWER LEVELS ARE CONSIDERED BELOW SIGNIFICANCE PER AHRI 880.
 2. NC VALUES ARE CALCULATED BASED ON PROCEDURES OUTLINED IN AHRI STANDARD 885-2008.
 3. SELECTIONS BASED UPON ENVIRO-TEC AS MANUFACTURER.
 4. ALL CFM, PRESSURE, AND HEATING PERFORMANCE VALUES ARE CORRECTED FOR ALTITUDE.
 5. SIZE UNITS ARE GIVEN IN INCHES, FLOW UNITS ARE CUBIC FEET PER MINUTE, PRESSURE UNITS ARE INCHES OF WATER, AND TEMPERATURE UNITS ARE DEGREES FAHRENHEIT.
 6. WATER PRESSURE DROP IS IN FT. WATER.
 7. INCLUDE FACTORY INSTALLED CONTROL ENCLOSURE, INLET SENSOR, HANGER BRACKETS, AND BOTH TOP AND BOTTOM ACCESS PANELS EACH UNIT.
 8. DISCONNECT, CONTROL ENCLOSURE, AND PIPING CONNECTIONS SHALL BE ON SAME SIDE OF EACH UNIT.
 9. "HC" = HIGH CAPACITY CIRCUITING.



AIR DISTRIBUTION SCHEDULE

SYMBOL	SERVICE	BORDER	CFM RANGE	NECK SIZE	DESCRIPTION	BASIS OF DESIGN	NOTES
A1	SUPPLY	LAY-IN	0-125 130-175 180-280 285-450 455-700	6 RD 8 RD 10 RD 12 RD 14 RD	SQUARE CONE DIFFUSER WITH FULLY ADJUSTABLE AIRFLOW PATTERN. PROVIDE ROUND TRANSITION AS REQUIRED	PRICE MODEL #5CDA, BORDER TYPE 3 FRAME FOR 24/24 FACE SIZE	1.2,4
A3	RETURN	LAY-IN	0-125 130-180 185-270 275-375 380-480 485-700 705-1100	8x8 10x10 12x12 14x14 16x16 18x18 20x20 22x22	SQUARE EGGRATE GRILLE WITH WHITE FINISH.	PRICE MODEL #80, BORDER TYPE TB FOR T-BAR, BORDER TYPE F FOR SURFACE MOUNT	1.3,4
			ALL T-BAR LOCATIONS				

NOTES:
 1. PROVIDE INLET AND OUTLET SIZES ABOVE UNLESS SIZES ARE SPECIFICALLY NOTED ON PLANS.
 2. DIRECTIONAL AIR THROW PATTERNS SHALL BE FIELD ADJUSTED IN ACCORDANCE WITH REPRESENTATIONS BELOW AND AS NOTED ON DRAWINGS.

NOTES:
 1. INLETS NOTED WITH AN "R" ARE ON THE RETURN SYSTEM AND INLETS NOTED WITH AN "E" ARE ON THE EXHAUST SYSTEM.

4. ALL AIR DISTRIBUTION SHALL BE FACTORY WHITE FINISH, UNLESS NOTED OTHERWISE.

MECHANICAL LEGEND

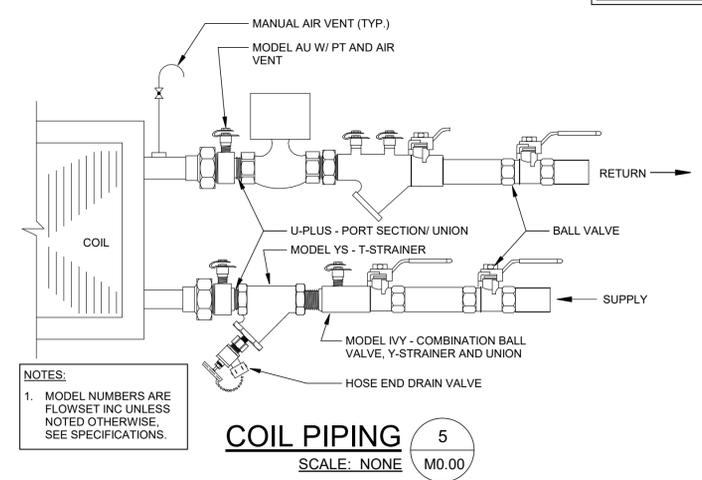
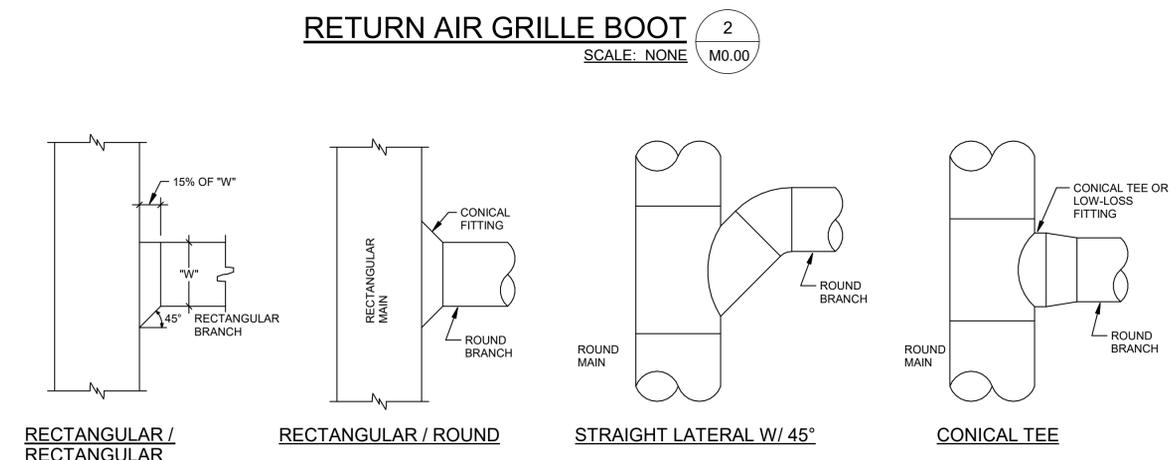
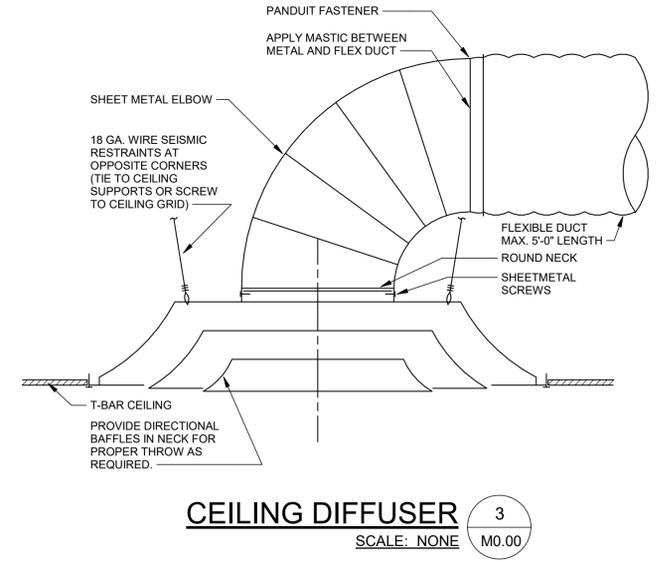
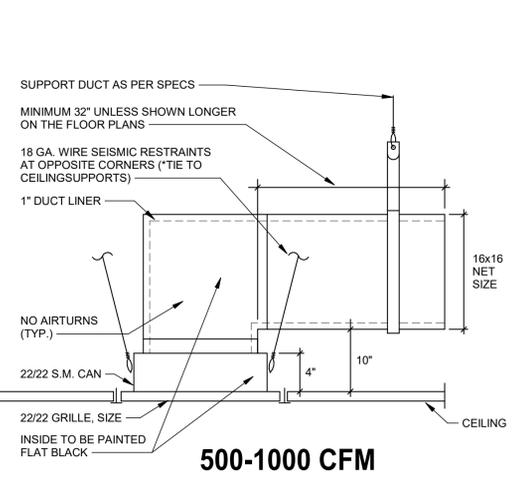
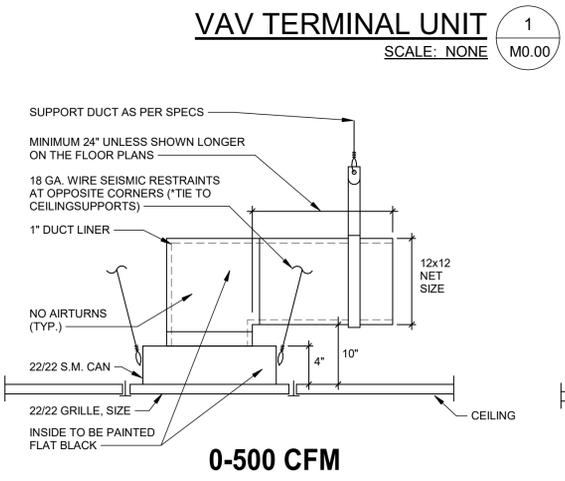
	RETURN OR EXHAUST AIR DUCT
	SUPPLY AIR DUCT
	HEATING HOT WATER RETURN PIPE
	HEATING HOT WATER SUPPLY PIPE
	CONDENSATE DRAIN PIPE
	BALL VALVE
	BALANCE VALVE
	CHECK VALVE
	PETES PLUG
	THERMOMETER, PRESSURE GAUGE
	RETURN/EXHAUST AIR
	SUPPLY/OUTSIDE AIR
	OUTSIDE AIR DUCT SECTION
	RETURN OR EXHAUST AIR DUCT SECTION
	SUPPLY AIR DUCT SECTION
	DUCT POD/POC
	DUCT (FIRST FIGURE SIDE SHOWN SECOND FIGURE SIDE NOT SHOWN)
	TURNING VANES
	FLEXIBLE DUCTWORK
	MANUAL DAMPER
	ROOM THERMOSTAT
	DIAMETER
	ROOM NAME AND NUMBER
	AIR CONDITIONING
	ACCESS DOOR, ACCESS PANEL
	CUBIC FEET OF AIR PER MINUTE
	EXISTING, NEW
	DEGREES FAHRENHEIT
	FROM ABOVE, TO BELOW
	FROM BELOW, TO ABOVE
	GAUGE
	GALVANIZED
	MAXIMUM, MINIMUM
	MANUAL DAMPER
	POINT OF CONNECTION
	POINT OF DISCONNECT
	RETURN AIR, EXHAUST AIR
	SUPPLY AIR, OUTSIDE AIR
	TYPICAL

DRAWING SHEET INDEX

M0.00	MECHANICAL LEGEND, SCHEDULES, NOTES, DETAILS
M0.01	MECHANICAL SPECIFICATIONS
M1.01	MECHANICAL OVERALL PLAN
M1.02	MECHANICAL ZONING PLAN
M1.21	MECHANICAL ENLARGED PLANS

CONTROLS CONTRACTOR

CONTROLS SYSTEM SHALL BE ALERTON BY BCS TO MATCH EXISTING. NO EXCEPTIONS
775.826.8998



AINSWORTH ASSOCIATES
 MECHANICAL ENGINEERS
 1420 HOLCOMB AVE., SUITE 201 4557 GREENVIEW DR.
 RENO, NV 89502 EL DORADO HILLS, CA 95762
 TEL: 775-329-9100 TEL: 916-737-6014
 www.aa-me.com

100% Construction Documents

REVISIONS	
REV	DESCRIPTION

Sheet Title
MECHANICAL LEGEND, SCHEDULES, NOTES, DETAILS

Date: December 22, 2021
Sheet No:

M0.00



THESE DRAWINGS AND SPECIFICATIONS ARE THE PROPERTY OF TATE SNYDER KIMSEY ARCHITECTS AND MAY NOT BE REPRODUCED OR USED FOR ANY PURPOSE WITHOUT THE ARCHITECT'S WRITTEN CONSENT. AS INSTRUMENT OF SERVICE, THESE DOCUMENTS ARE NOT FINAL AND READY FOR USE, AND THEREFORE NOT VALID, UNLESS THEY ARE SEALED, SIGNED AND DATED.

Copyright, Ltd 2015

Consultant



Project

DCSO - RECORDS RENOVATION

1038 BUCKEYE ROAD
MINDEN, NV 89423

Job No: 20-034.10

Owner

DOUGLAS COUNTY

100% Construction Documents

REVISIONS		
REV	DATE	DESCRIPTION

Sheet Title

MECHANICAL SPECIFICATIONS

Date: December 22, 2021

Sheet No:

M0.01

GENERAL NOTES

- ALL WORK AND MATERIALS SHALL CONFORM TO THE LATEST ADOPTED EDITION OF THE IBC, UMC, NEC, NFPA, NEVADA STATE FIRE MARSHAL REGULATIONS, LOCAL AND STATE ORDINANCES, AND INDUSTRY STANDARDS.
- THE INFORMATION REGARDING EXISTING CONDITIONS SHOWN ON THE DRAWINGS IS BELIEVED TO BE CORRECT, BUT IS NOT GUARANTEED. THE CONTRACTOR SHALL RELY ON SITE VISITS AND NECESSARY INVESTIGATION TO ENSURE THAT HIS BID IS CORRECT AND COMPLETE AS REQUIRED TO PROVIDE THE SCOPE OF WORK DESCRIBED ON THE DRAWINGS. EXTRA COST WILL NOT BE ALLOWED TO THE CONTRACTOR FOR FAILURE TO PERFORM THIS TASK.
- SUBMIT FOR REVIEW AND APPROVAL ELECTRONIC COPIES OF SUBMITTALS FOR ALL EQUIPMENT, DUCTWORK, AIR DISTRIBUTION, INSULATION, VALVES, AND PIPING MATERIALS.
- AS-BUILT DRAWINGS SHALL BE SUBMITTED FOR REVIEW AND APPROVAL UPON COMPLETION OF THE WORK, AND PRIOR TO FINAL PAYMENT. AS-BUILT DRAWINGS SHALL BE MAINTAINED ON SITE AS THE WORK PROGRESSES AND SHALL BE AVAILABLE FOR REVIEW BY THE OWNER AND/OR ARCHITECT/ENGINEER AT ALL TIMES.
- ALL EQUIPMENT AND MATERIALS SHALL BE INSTALLED IN STRICT ACCORDANCE WITH THE MANUFACTURER'S WRITTEN INSTALLATION INSTRUCTIONS.
- THE WORK AND MATERIALS SHALL BE GUARANTEED FOR A PERIOD OF ONE YEAR FROM THE DATE OF ACCEPTANCE BY THE OWNER.
- REFER TO THE ARCHITECTURAL DRAWINGS FOR THE FULL EXTENT OF DEMOLITION AND NEW WORK TO BE PERFORMED.
- SEISMIC BRACING FOR MECHANICAL SYSTEMS (EQUIPMENT, DUCTWORK, PIPING, AND CONDUIT) SHALL COMPLY WITH ALL APPLICABLE REQUIREMENTS OF THE LATEST EDITION OF THE INTERNATIONAL BUILDING CODE (IBC) INCLUDING ALL APPLICABLE PROVISIONS OF THE AMERICAN SOCIETY OF CIVIL ENGINEERS (ASCE) MINIMUM DESIGN LOADS FOR BUILDINGS (ASCE STANDARD 7-16 SECTION 13.1.3).
- PIPING SHALL BE INSTALLED SUCH THAT IT DOES NOT OBSTRUCT ACCESS OR REMOVAL OF MECHANICAL EQUIPMENT.
- DASHED OUTLINES DENOTE THE REQUIRED SERVICE CLEARANCE SPACE (SEE DUCTWORK PLANS), NO PIPING, DUCTWORK, CONDUIT, AND/OR CEILING HANGERS SHALL BE INSTALLED IN THE DESIGNATED SERVICE/ACCESS CLEARANCE AREA.
- SEE ARCHITECTURAL AND/OR STRUCTURAL DRAWINGS FOR HOLE CORING REQUIREMENTS.
- SEE REFLECTED CEILING PLANS FOR THE EXACT LOCATION OF ALL DIFFUSERS AND GRILLES LOCATED IN CEILINGS.
- ALL EQUIPMENT, PIPING, DUCTWORK, ETC. SHALL BE SUPPORTED AS REQUIRED TO PROVIDE A VIBRATION FREE INSTALLATION.
- CONSTRUCT ALL DUCTWORK LOCATED BETWEEN AIR HANDLING UNITS AND VARIABLE AIR VOLUME BOXES FOR 4 INCH W.G. PRESSURE CLASS PER SMACNA REQUIREMENTS. CONSTRUCT ALL OTHER DUCTWORK FOR 2 INCH W.G. PRESSURE CLASS, EXCEPT WHERE NOTED OTHERWISE, PER SMACNA REQUIREMENTS.
- ALL DUCT BRANCH SIZES TO CEILING DIFFUSERS SHALL BE CEILING DIFFUSER NECK SIZE, EXCEPT WHERE NOTED OTHERWISE.
- PROVIDE FLEXIBLE DUCT CONNECTIONS WHEN CONNECTING DUCTWORK TO EQUIPMENT.
- TESTING AND BALANCING SHALL BE CONDUCTED BY AN AABC CERTIFIED TEST AND BALANCE CONTRACTOR. TEST AND BALANCE ALL AIR AND WATER SYSTEMS TO ACHIEVE THE LISTED VOLUMES SET ALL VOLUME DAMPERS AND TEST/BALANCE SYSTEMS SUCH THAT THE VOLUME INDICATED ON THE DRAWINGS IS BEING DELIVERED. PROVIDE A WRITTEN REPORT SHOWING 'KA' FACTORS, FPM, AND CFM FOR EACH DIFFUSER, REGISTER, AND GRILLE, AND THE TOTAL AIR VOLUME FOR EACH TESTED SYSTEM. THE FINALIZED REPORT SHALL BE SUBMITTED TO THE ARCHITECT/ENGINEER FOR REVIEW AND APPROVAL UPON COMPLETION OF THE TESTING AND BALANCING AND BEFORE SCHEDULING THE FINAL OBSERVATION.
- FLEXIBLE DUCT LENGTHS SHALL NOT EXCEED 5'-0" (INSTALL IN CONCEALED LOCATIONS ONLY).
- PROVIDE A MINIMUM OF 12" BELOW DUCTWORK TO CEILING FOR REMOVAL OF LIGHT FIXTURES.
- COORDINATE THE EXACT SIZE AND LOCATION OF DUCTWORK AND PIPING WITH ALL OTHER TRADES.
- VERIFY FINAL THERMOSTAT LOCATIONS WITH BUILT-IN CABINETS, DOOR SWINGS, ETC.
- LINE DUCTWORK DOWNSTREAM OF ALL TERMINAL UNITS, UNLESS NOTED OTHERWISE (SEE PLANS).
- TERMINAL UNIT (VAV BOX) INLET DUCT SIZES SHALL BE THE UNIT INLET SIZE.
- TERMINAL UNIT (VAV BOX) OUTLET SIZE SHALL BE THE HOT WATER COIL DUCT CONNECTION SIZE.
- PROVIDE MANUAL VOLUME DAMPERS AT EACH BRANCH DUCT TAKEOFF. MANUAL VOLUME DAMPERS SHALL BE LOCATED AS FAR AWAY FROM THE DIFFUSER AS POSSIBLE.
- ALL PIPING WORK SHALL BE COORDINATED WITH ALL TRADES AND EXISTING CONDITIONS PRIOR TO COMMENCING WORK. OFFSETS IN PIPING AROUND OBSTRUCTIONS SHALL BE PROVIDED AS REQUIRED.
- DO NOT ROUTE ANY PIPING DIRECTLY ABOVE ELECTRICAL EQUIPMENT, SWITCHBOARDS, DISTRIBUTION PANELS, MCC'S, ETC. AS PROHIBITED BY THE 2017 NEC.
- DO NOT FABRICATE PIPING FROM THE DRAWINGS. SPACE ALLOCATION SHALL BE DETERMINED IN THE FIELD AND COORDINATED WITH OTHER TRADES PRIOR TO FABRICATION.

AUTOMATIC FIRE SPRINKLER/FIRE PROTECTION

AUTOMATIC FIRE SPRINKLERS: ANY EXISTING AUTOMATIC FIRE SPRINKLER CONDITIONS SHOWN ON THE DRAWINGS ARE REFERENCE ONLY. THE EXISTING AUTOMATIC FIRE SPRINKLER SYSTEM SHALL BE REMODELED TO SUIT THE NEW CONDITIONS IN ACCORDANCE WITH NFPA 13, LOCAL AND STATE AUTHORITIES BY A LICENSED FIRE PROTECTION CONTRACTOR. WORK INCLUDES RELOCATION OF EXISTING PIPING AND HEADS IN AREAS OF WORK ON EACH FLOOR AS REQUIRED FOR NEW SYSTEM. SEE ARCHITECTURAL PLANS FOR FULL EXTENT OF ALTERATIONS. ALL DESIGN DOCUMENTS AND SUBMITTALS SHALL BE STAMPED AND SIGNED BY A TECHNICIAN WITH A MINIMUM NICET LEVEL III CERTIFICATION. REFER TO 1M1.01 FOR AREA OF WORK.

SPECIFICATIONS

GENERAL

A. GENERAL CONDITIONS

- THE GENERAL AND SPECIAL CONDITIONS OF THE SPECIFICATIONS APPLY TO ALL WORK IN THIS SECTION. WHEN PUBLISHED, CONSULT THEM IN DETAIL AND ASSUME ALL OBLIGATIONS AND CONDITIONS THEREIN.

B. SCOPE OF WORK

- THE WORK INCLUDES LABOR, MATERIALS, TOOLS, EQUIPMENT, AND TRANSPORTATION REQUIRED TO FURNISH AND PROPERLY INSTALL ALL WORK SHOWN ON THE DRAWINGS AND AS HEREIN DESCRIBED, READY FOR SERVICE, TO THE ENTIRE SATISFACTION OF THE ARCHITECT/ENGINEER.

C. CODES AND REGULATIONS:

- ALL WORK AND MATERIALS SHALL CONFORM TO THE LATEST ADOPTED EDITION OF THE IBC, UMC, UPC, NEC, NFPA, NEVADA STATE FIRE MARSHAL REGULATIONS, ALL LOCAL AND STATE ORDINANCES, AND INDUSTRY STANDARDS. NOTHING IN THESE PLANS OR SPECIFICATIONS SHALL BE CONSTRUED TO PERMIT WORK NOT CONFORMING TO THESE CODES AND REGULATIONS.
- WHEN THE CONTRACT DOCUMENTS DIFFER FROM THE GOVERNING CODES, FURNISH AND INSTALL THE LARGER SIZE, GREATER QUANTITY, OR HIGHER STANDARDS THAN CALLED FOR WITHOUT EXTRA CHARGE TO THE OWNER.

D. QUALITY ASSURANCE

- COMPLY WITH APPLICABLE PORTIONS OF THE SHEET METAL AND AIR CONDITIONING CONTRACTOR'S NATIONAL ASSOCIATION (SMACNA) GUIDELINES FOR CONSTRUCTION AND INSTALLATION OF ALL DUCTWORK IN THIS SECTION.
- COMPLY WITH RECOMMENDATIONS OF THE LATEST EDITION OF THE AMERICAN SOCIETY OF HEATING, REFRIGERATING, AND AIR CONDITIONING ENGINEERS (ASHRAE) FOR ALL WORK IN THIS SECTION.
- COMPLY WITH ANSINFPFA 90A 'STANDARD FOR THE INSTALLATION OF AIR CONDITIONING AND VENTILATING SYSTEMS', AND ANSINFPFA 90B, 'STANDARD FOR THE INSTALLATION OF WARM AIR HEATING AND AIR CONDITIONING SYSTEMS' FOR ALL WORK IN THIS SECTION.

E. DRAWINGS AND COORDINATION

- THE GENERAL ARRANGEMENT AND LOCATION OF PIPING, DUCTWORK, EQUIPMENT, ETC. ARE SHOWN ON THE DRAWINGS OR ARE SPECIFIED HEREIN. INSTALL WORK IN ACCORDANCE THEREWITH, EXCEPT FOR MINOR CHANGES THAT MAY BE NECESSARY ON ACCOUNT OF OTHER TRADES. CAREFULLY EXAMINE OTHER WORK THAT MAY CONFLICT WITH THIS WORK AND INSTALL THIS WORK IN HARMONY WITH OTHER TRADES AND EXISTING WORK. ANY CHANGES SHALL HAVE THE PRIOR WRITTEN APPROVAL OF THE ARCHITECT/ENGINEER.

F. FEES AND PERMITS

- ARRANGE FOR REQUIRED INSPECTIONS AND PERMITS REQUIRED FOR INSTALLATION OF THE WORK.
- COSTS FOR PERMITS REQUIRED WILL BE PAID BY THE OWNER.

G. SUBMITTALS

- SUBMIT FOR REVIEW AND APPROVAL ELECTRONIC COPIES OF SUBMITTALS FOR ALL EQUIPMENT, DUCTWORK, AIR DISTRIBUTION, INSULATION, VALVES, AND PIPING MATERIALS.

H. MATERIALS

- PROVIDE EACH ITEM LISTED HEREIN AND/OR SHOWN ON THE DRAWINGS OF THE QUALITY NOTED, OR APPROVED EQUAL. ALL MATERIAL SHALL BE NEW, FULL WEIGHT, STANDARD IN ALL RESPECTS, AND IN FIRST CLASS CONDITION. INSOFAR AS POSSIBLE, ALL MATERIALS USED SHALL BE OF THE SAME BRAND OR MANUFACTURER FOR EACH CLASS OF MATERIAL OR EQUIPMENT. MATERIALS SHALL BE OF DOMESTIC MANUFACTURE AND SHALL BE TESTED WITHIN THE CONTINENTAL UNITED STATES.
- THE GRADE OR QUALITY OF MATERIALS DESIRED IS INDICATED BY THE TRADE NAMES OR CATALOG NUMBERS STATED HEREIN.
- DIMENSIONS, SIZES, AND CAPACITIES SHOWN ARE A MINIMUM AND SHALL NOT BE CHANGED WITHOUT THE PERMISSION OF THE ARCHITECT/ENGINEER.
- NO MATERIAL INSTALLED AS PART OF THIS WORK SHALL CONTAIN ASBESTOS IN ANY FORM.

I. MATERIALS LIST AND SUBSTITUTIONS

- PRIOR TO COMMENCEMENT OF WORK, AND WITHIN 15 DAYS AFTER ISSUANCE OF THE CONTRACT BY THE OWNER, SUBMIT IN SUFFICIENT NUMBER OF COPIES FOR APPROVAL, A COMPLETE LIST OF EQUIPMENT AND MATERIALS TO BE FURNISHED, INCLUDING ANY REQUESTED SUBSTITUTIONS. ONLY ONE REQUEST FOR SUBSTITUTION WILL BE CONSIDERED FOR EACH ITEM OF MATERIAL OR EQUIPMENT.
- SUBMITTALS MUST BE PROVIDED IN A COMPLETE AND TOTAL PACKAGE, TOGETHER AS ONE DOCUMENT. PARTIAL SUBMITTALS WILL NOT BE ACCEPTABLE.
- INSTALLATION OF APPROVED SUBSTITUTIONS IS THE CONTRACTOR'S RESPONSIBILITY. ANY CHANGES REQUIRED FOR INSTALLATION OF APPROVED SUBSTITUTED EQUIPMENT SHALL BE MADE WITHOUT ADDITIONAL COST TO THE OWNER. REVIEW BY THE ARCHITECT/ENGINEER OF THE SUBSTITUTED EQUIPMENT AND/OR DIMENSIONAL DRAWINGS DOES NOT WAIVE THESE REQUIREMENTS.
- EQUIPMENT OR MATERIAL DAMAGED DURING TRANSPORTATION, INSTALLATION, OR OPERATION IS CONSIDERED AS TOTALLY DAMAGED. REPLACE WITH NEW EQUIPMENT. VARIANCE FROM THIS REQUIREMENT WILL BE PERMITTED ONLY WITH WRITTEN CONSENT OF THE ARCHITECT/ENGINEER.

J. PLACEMENT OF EQUIPMENT AND WORK

- THE PLACEMENT OF EQUIPMENT AND MECHANICAL WORK IN THE LOCATIONS AND SPACES SHOWN ON THE DRAWINGS IS THE CONTRACTOR'S RESPONSIBILITY.
- MOVE EQUIPMENT AND/OR WORK INTO SPACES THROUGH OPENINGS PROVIDED OR LOCATED IN THE SPACES DURING CONSTRUCTION, AS REQUIRED.

K. OPERATING AND MAINTENANCE MANUALS

- FURNISH TWO COMPLETE SETS OF OPERATING AND MAINTENANCE INSTRUCTIONS, DESCRIPTIVE LITERATURE, CATALOG CUTS, AND DIAGRAMS COVERING ALL ITEMS OF OPERATION AND MAINTENANCE FOR EACH AND EVERY MECHANICAL SYSTEM AND PIECE OF EQUIPMENT FURNISHED UNDER THESE SPECIFICATIONS. INCLUDE IN EACH SET A COPY OF THE AIR BALANCE TEST REPORT SPECIFIED HEREIN.
- BIND AND INDEX EACH SET IN A DURABLE, HARDBOARD BINDER. FINAL OBSERVATION WILL TYPICALLY NOT BE MADE UNTIL THE OPERATING AND MAINTENANCE MANUALS ARE SUBMITTED AND HAVE BEEN REVIEWED AND APPROVED BY THE ARCHITECT/ENGINEER.
- IN ADDITION TO THE HARD BOUND COPIES, PROVIDE ONE ELECTRONIC COPY OF THE MANUAL.
- PROVIDE COMPLETE OPERATING MANUALS FOR ALL EQUIPMENT LISTED IN INDIVIDUAL SECTIONS OF THE SPECIFICATIONS.
- INCORPORATE COMPLETE OPERATING INSTRUCTIONS INCLUDING STARTING, STOPPING, AND DESCRIPTION OF EMERGENCY MANUAL OPERATION METHODS FOR THE FOLLOWING:
HEATING, VENTILATING, AND AIR CONDITIONING SYSTEMS
TEMPERATURE CONTROL SYSTEMS
WATER HEATING SYSTEMS
TESTING AND BALANCING REPORTS
- PROVIDE MAINTENANCE INSTRUCTIONS FOR EACH ITEM OF INDIVIDUAL EQUIPMENT COVERING PERTINENT MAINTENANCE DATA, SUCH AS LUBRICANTS TO BE USED, FREQUENCY OF LUBRICATION, INSPECTIONS REQUIRED, ADJUSTMENTS, ETC.
- PROVIDE PARTS BULLETINS CONTAINING MANUFACTURER'S BULLETINS WITH PART NUMBERS, INSTRUCTIONS, ETC. FOR EACH ITEM OF EQUIPMENT. STRIP BULLETINS SO THAT USELESS BULK IS AVOIDED.

L. GUARANTEE

- THE CONTRACTOR SHALL BE RESPONSIBLE FOR WORK DONE AND MATERIALS INSTALLED UNDER THESE PLANS AND SPECIFICATIONS. REPAIR OR REPLACE, AS MAY BE NECESSARY, ANY DEFECTIVE WORK, MATERIALS, OR PARTS WHICH ARE IDENTIFIED AS DEFECTIVE WITHIN ONE YEAR OF THE DATE OF FINAL ACCEPTANCE BY THE OWNER AND BE RESPONSIBLE FOR DAMAGE TO OTHER MATERIALS, FURNISHINGS, EQUIPMENT, OR PREMISES CAUSED BY SUCH DEFECTS DURING THIS PERIOD, IF IN THE OPINION OF THE ARCHITECT/ENGINEER SAID DEFECT IS DUE TO IMPERFECTION OF MATERIAL OR WORKMANSHIP.
- REPAIRS OR REPLACEMENT OF DEFECTIVE WORK SHALL BE PROMPTLY COMPLETED UPON NOTIFICATION BY THE OWNER.

M. CARE AND CLEANING

- REPAIR OR REPLACE BROKEN, DAMAGED, OR OTHERWISE DEFECTIVE PARTS, MATERIALS, AND WORK. LEAVE THE ENTIRE WORK IN A CONDITION SATISFACTORY TO THE ARCHITECT/ENGINEER. AT COMPLETION, CAREFULLY CLEAN AND ADJUST ALL EQUIPMENT AND TRIM WHICH ARE INSTALLED AS PART OF THIS WORK. LEAVE SYSTEMS AND EQUIPMENT IN A SATISFACTORY OPERATING CONDITION.
- CLEAN OUT AND REMOVE SURPLUS MATERIALS AND DEBRIS RESULTING FROM THE WORK.

N. DRAWINGS AND COORDINATION

- EXECUTE ANY WORK OR APPARATUS SHOWN ON THE DRAWINGS AND NOT MENTIONED IN THE SPECIFICATIONS, OR VICE VERSA, THE SAME AS IF SPECIFICALLY MENTIONED BY BOTH. OMISSION FROM DRAWINGS OR SPECIFICATIONS OF ANY MINOR DETAILS OF CONSTRUCTION, INSTALLATION, MATERIALS, OR ESSENTIAL SPECIALTIES DOES NOT RELIEVE THE CONTRACTOR FROM FURNISHING SAME IN PLACE COMPLETE.
- FURNISH AND INSTALL ANY INCIDENTAL WORK NOT SHOWN OR SPECIFIED WHICH CAN REASONABLY BE INFERRED AS PART OF THE WORK AND NECESSARY TO PROVIDE A COMPLETE AND OPERATIONAL SYSTEM.

O. FORMING, CUTTING AND PATCHING

- COORDINATE WITH OTHER CONTRACTORS AS NECESSARY TO PROVIDE ANY SPECIAL FORMING, RECESSES, CHASES, ETC. PROVIDE WOOD BLOCKING AND BACKING AS NECESSARY FOR PROPER INSTALLATION OF ALL MECHANICAL WORK.
- IF THIS CONTRACTOR FAILS TO COORDINATE WITH OTHER CONTRACTORS AT THE PROPER TIME OR FAILS TO LOCATE ITEMS PROPERLY, RESULTING IN EXTRA WORK, THEN THE CONTRACTOR IS RESPONSIBLE.

P. AS-BUILT DRAWINGS

- UPON COMPLETION OF WORK COVERED BY THIS CONTRACT, FURNISH THE ARCHITECT/ENGINEER WITH REPRODUCIBLE PRINTS OR FILES, SHOWING ALL CHANGES EQUIPMENT, PIPE ROUTING, ETC. WITHIN THE BUILDING AND INSTALLED UNDER THIS CONTRACT WHICH ARE NOT IN ACCORD WITH THESE DRAWINGS FOR THE WORK.
- MATCH ALL SYMBOLS AND DESIGNATIONS USED IN CONTRACT DRAWINGS WHEN PREPARING THE AS-BUILT DRAWINGS.
- INDICATE CLEARLY AND CORRECTLY ALL WORK INSTALLED DIFFERENTLY FROM THAT SHOWN, AND MAINTAIN RECORDS UP TO DATE AS THE WORK PROGRESSES.

HVAC

A. DUCTWORK

- COMPLY WITH APPLICABLE PORTIONS OF SHEET METAL AND AIR CONDITIONING CONTRACTOR'S NATIONAL ASSOCIATION (SMACNA) GUIDELINES FOR ALL WORK IN THIS SECTION.
- COMPLY WITH AMERICAN SOCIETY OF HEATING, REFRIGERATING, AND AIR CONDITIONING ENGINEERS (ASHRAE) RECOMMENDATIONS, LATEST EDITION, FOR ALL WORK IN THIS SECTION.
- COMPLY WITH ANSINFPFA 90A 'STANDARD FOR THE INSTALLATION OF AIR-CONDITIONING AND VENTILATING SYSTEMS', AND ANSENFPA 90B, 'STANDARD FOR THE INSTALLATION OF WARM AIR HEATING AND AIR CONDITIONING SYSTEMS' FOR ALL WORK IN THIS SECTION.
- RECTANGULAR AND ROUND DUCTWORK SHALL BE GALVANIZED STEEL. DUCT GAUGES, CONSTRUCTION, AND INSTALLATION SHALL CONFORM TO THE RECOMMENDATIONS OF THE LATEST SMACNA LOW PRESSURE DUCT CONSTRUCTION STANDARDS. ALL INTERIOR EXPOSED DUCTWORK SHALL BE ETCHED FOR PAINTING.
- DUCT FITTINGS AND CIRCUMFERENTIAL JOINTS SHALL BE SEALED WITH WATER BASED VINYL ACRYLIC DUCT SEALER, DESIGN POLYMERIC DP1010, OR APPROVED EQUAL.
- DUCT INSULATION SHALL COMPLY WITH THE REQUIREMENTS LISTED IN 2018 INTERNATIONAL ENERGY CONSERVATION CODE SECTION C403.11.
- DUCT WRAP: ALL CONCEALED METAL SUPPLY AIR AND RETURN AIR DUCTWORK AND FITTINGS SHALL BE WRAPPED WITH 2-1/2" THICK FIBERGLASS INSULATION, 3/4 LB DENSITY, WITH REINFORCED FOIL FACING, AND AN R-VALUE OF 6.0. END SEAMS SHALL BE SEALED WITH PRESSURE-SENSITIVE TAPE. LONGITUDINAL SEAMS SHALL BE OVERLAPPED A MINIMUM OF 4 INCHES AND SECURED WITH BOTH STAPLES AND PRESSURE-SENSITIVE TAPE.
- DUCT LINER: WHERE SHOWN ON THE DRAWINGS SUPPLY AND RETURN AIR DUCTWORK SHALL BE INTERNALLY LINED WITH FIBERGLASS DUCT LINER HAVING AN R-VALUE OF 6.3. ADJUST DUCT SIZES TO ACCOMMODATE LINER THICKNESS TO PROVIDE THE NET INTERNAL DIMENSIONS SHOWN ON THE DRAWINGS. SECURE INTERNAL DUCT LINER UTILIZING WELD PINS WITH WASHERS AND ADHESIVE.
- HANGERS AND SUPPORTS SHALL BE DESIGNED TO SUPPORT THE COMBINED WEIGHT OF THE DUCT AND INSULATION. HANGERS AND SUPPORTS SHALL HAVE A MINIMUM FACTOR OF SAFETY OF FIVE BASED ON THE ULTIMATE TENSILE STRENGTH OF THE MATERIAL USED. SUPPORT ALL INTERIOR DUCTWORK IN ACCORDANCE WITH THE CURRENT SMACNA GUIDELINES. SPACING OF HANGERS AND SUPPORTS SHALL COMPLY WITH THE UNIFORM MECHANICAL CODE.
- FLEXIBLE DUCTWORK SHALL BE THERMAFLEX M-KE OR APPROVED EQUAL, CONFORMING TO UL181 CLASS 1 REQUIREMENTS. SECURE WITH PANDUIT FASTENERS.

B. TEST AND BALANCE

- THE AIR AND WATER SYSTEMS TEST AND BALANCE SCOPE OF WORK SHALL BE PERFORMED BY AN AABC CERTIFIED AIR BALANCE CONTRACTOR. RAGLEN SYSTEM BALANCE OR RS ANALYSIS, NO EXCEPTIONS.
- ALL AIR AND WATER SYSTEMS AND DEVICES SHALL BE BALANCED TO WITHIN +0% TO +10% OF DESIGN.
- SET ALL VOLUME DAMPERS AND BALANCE SYSTEMS SUCH THAT THE VOLUME INDICATED ON THE DRAWINGS IS BEING DELIVERED. A WRITTEN REPORT SHOWING 'KA' FACTORS, FPM, AND CFM FOR EACH GRILLE, REGISTER, CEILING DIFFUSER, AND THE TOTAL AIR VOLUME, EXTERNAL STATIC PRESSURE, RPM, AND BHP FOR EACH AIR HANDLING UNIT IS TO BE PREPARED AND SUBMITTED TO THE ARCHITECT/ENGINEER FOR REVIEW AND APPROVAL UPON COMPLETION OF THE TESTING AND BALANCING.
- INSTALL ANY DAMPERS, BAFFLES, AND SHEAVES NECESSARY TO ACCOMPLISH THE DESIRED RESULTS.
- A FINAL 'COMFORT BALANCE' SHALL BE PERFORMED AS NECESSARY.



AINS WORTH ASSOCIATES

MECHANICAL ENGINEERS
1420 HOLCOMB AVE., SUITE 201 4557 GREENVIEW DR.
RENO, NV 89502 EL DORADO HILLS, CA 95762
TEL: 775-329-9100 TEL: 916-671-6014

www.aa-me.com

JOB: 2021-060



THESE DRAWINGS AND SPECIFICATIONS ARE THE PROPERTY OF TATE SNYDER KIMSEY ARCHITECTS AND MAY NOT BE REPRODUCED OR USED FOR ANY PURPOSE WITHOUT THE ARCHITECTS WRITTEN CONSENT. AS INSTRUMENTS OF SERVICE, THESE DOCUMENTS ARE NOT FINAL AND READY FOR USE, AND THEREFORE NOT VALID, UNLESS THEY ARE SEALED, SIGNED AND DATED.

Copyright, Ltd 2015

Consultant

PLEASE RECYCLE

Project
DCSO - RECORDS RENOVATION

1038 BUCKEYE ROAD
 MINDEN, NV 89423

Job No: 20-034.10

Owner
DOUGLAS COUNTY

100% Construction Documents

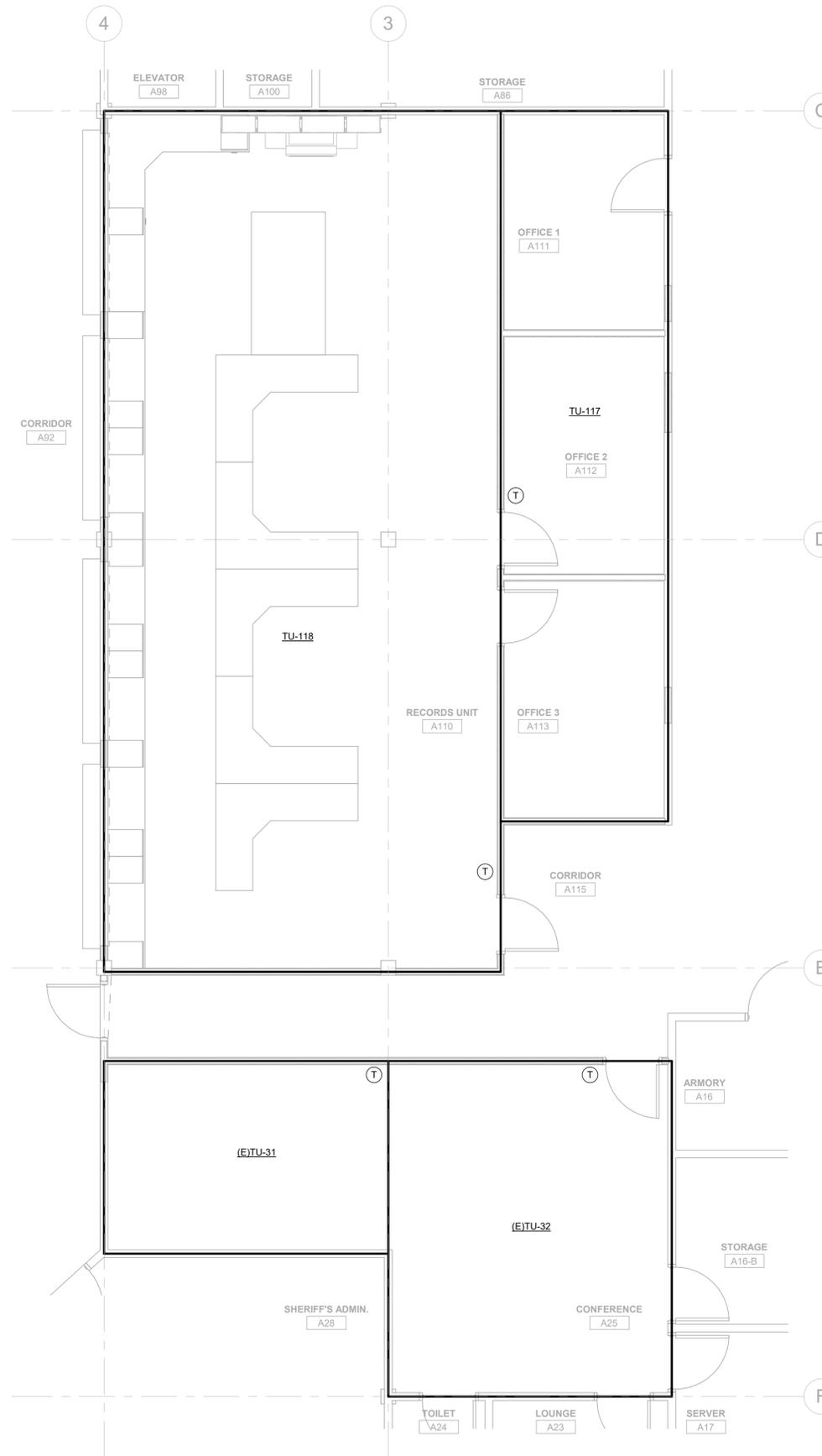
REVISIONS	
REV	DESCRIPTION

Sheet Title
MECHANICAL ZONING PLAN

Date: December 22, 2021

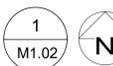
Sheet No:

M1.02



MECHANICAL LEVEL 1 ZONING PLAN

SCALE: 1/4" = 1'-0"



AINSWORTH ASSOCIATES
 MECHANICAL ENGINEERS
 1420 HOLCOMB AVE., SUITE 201 RENO, NV 89502
 4557 GREENVIEW DR. EL DORADO HILLS, CA 95762
 TEL: 775-329-9100 TEL: 916-737-6014
 www.aa-me.com

JOB: 2021-060



THESE DRAWINGS AND SPECIFICATIONS ARE THE PROPERTY OF TATE SNYDER KIMSEY ARCHITECTS AND MAY NOT BE REPRODUCED OR USED FOR ANY PURPOSE WITHOUT THE ARCHITECTS WRITTEN CONSENT. AS INSTRUMENTS OF SERVICE, THESE DOCUMENTS ARE NOT FINAL AND READY FOR USE, AND THEREFORE NOT VALID, UNLESS THEY ARE SEALED, SIGNED AND DATED.

Copyright, Ltd 2015

Consultant

PLEASE RECYCLE

Project

DCSO - RECORDS RENOVATION

1038 BUCKEYE ROAD
 MINDEN, NV 89423

Job No: 20-034.10

Owner

DOUGLAS COUNTY

100% Construction Documents

REVISIONS		
REV	DATE	DESCRIPTION

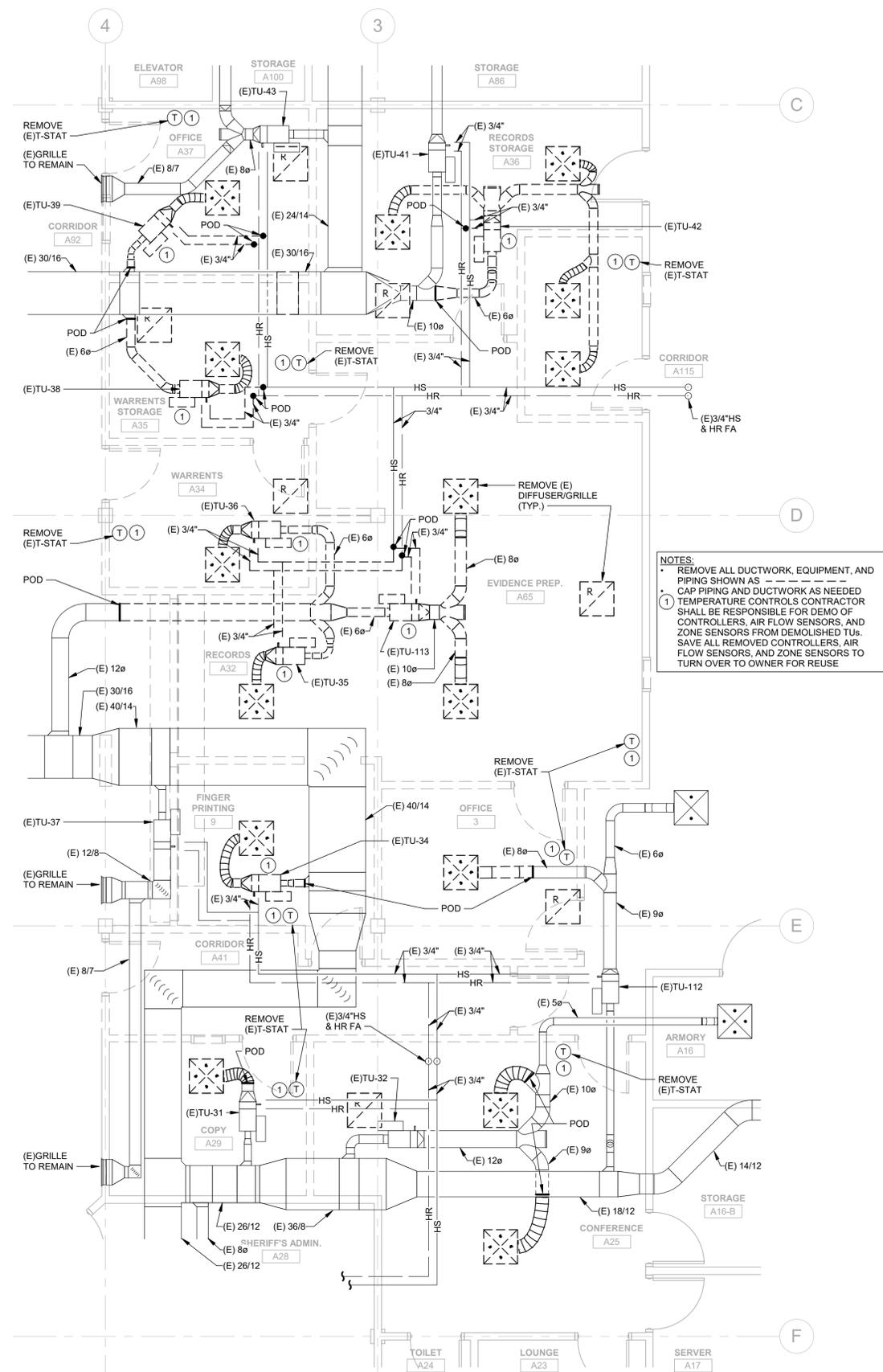
Sheet Title

MECHANICAL ENLARGED PLANS

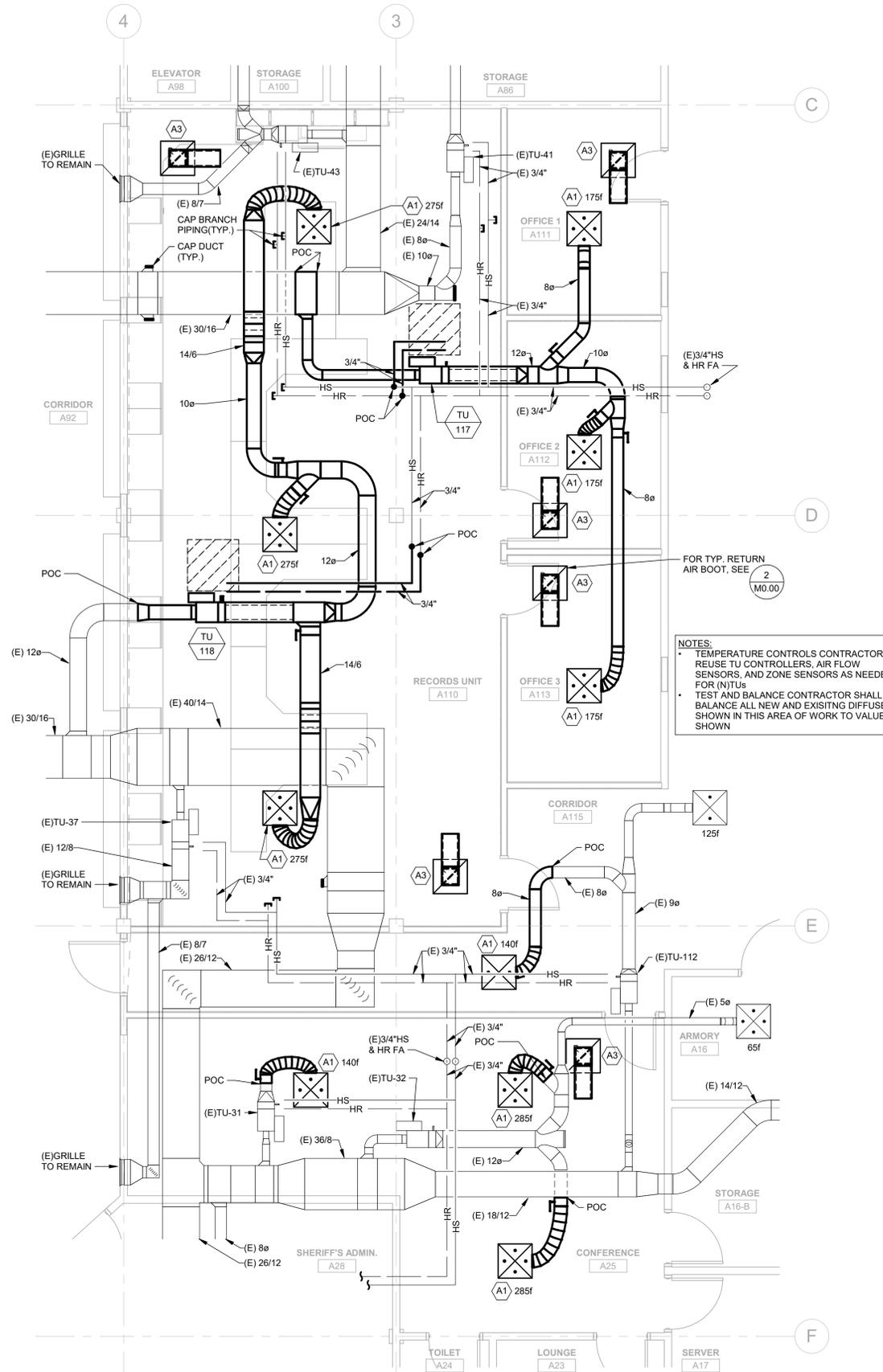
Date: December 22, 2021

Sheet No:

M1.21



MECHANICAL LEVEL 1 ENLARGED DEMO FLOOR PLAN 1 M1.21 SCALE: 1/4" = 1'-0"



MECHANICAL LEVEL 1 ENLARGED NEW FLOOR PLAN 2 M1.21 SCALE: 1/4" = 1'-0"



AINSWORTH ASSOCIATES
 MECHANICAL ENGINEERS
 1420 HOLCOMB AVE., SUITE 201 4557 GREENVIEW DR.
 RENO, NV 89502 EL DORADO HILLS, CA 95762
 TEL: 775-329-9100 TEL: 916-737-6014
 www.aa-me.com

JOB: 2021-060



225 South Arlington Avenue
Reno NV, 89501
phone: 775.857.2949
fax: 775.857.2403
www.tska.com

THESE DRAWINGS AND SPECIFICATIONS ARE THE PROPERTY OF TATE SNYDER KIMSEY ARCHITECTS AND MAY NOT BE REPRODUCED OR USED FOR ANY PURPOSE WITHOUT THE ARCHITECTS WRITTEN CONSENT. AS INSTRUMENTS OF SERVICE, THESE DOCUMENTS ARE NOT FINAL AND READY FOR USE, AND THEREFORE NOT VALID, UNLESS THEY ARE SEALED, SIGNED AND DATED.
Copyright, Ltd 2017

Consultant

PRELIMINARY
NOT FOR CONSTRUCTION
12/20/2021



Project

**DCSO - RECORDS
RENOVATION**

**1038 BUCKEYE ROAD
MINDEN NV, 89423**

Job No: 20-034.10

Owner

DOUGLAS COUNTY

100%

REVISIONS		
REV	DATE	DESCRIPTION

Sheet Title

**SYMBOLS LIST AND
SPECIFICATIONS**

Date: December 20, 2021

Sheet No:

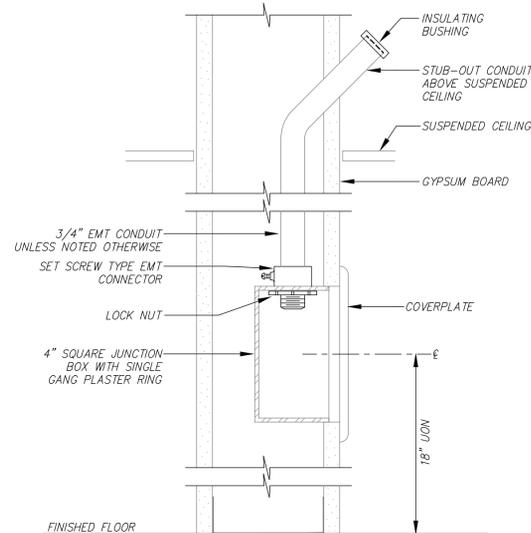
E0.1

SPECIFICATIONS

ITEM	DESCRIPTION	ITEM	DESCRIPTION
16.1	STANDARDS AND CODES: ALL ELECTRICAL WORK SHALL BE PERFORMED IN ACCORDANCE WITH THE LATEST EDITION OF THE NATIONAL ELECTRICAL CODE (NEC), AS WELL AS ALL APPLICABLE STATE AND LOCAL CODES AND ORDINANCES. THIS DOES NOT RELIEVE THE CONTRACTOR FROM FURNISHING AND INSTALLING WORK SHOWN OR SPECIFIED WHICH MAY EXCEED THE REQUIREMENTS OF SUCH ORDINANCES, LAWS, REGULATIONS AND CODES.	16.20	FUSES: FUSES SHALL BE SIZED PER ACTUAL NAMEPLATE OF EQUIPMENT SERVED. FUSES SHALL BE DUAL-ELEMENT, CURRENT-LIMITING, AND SHALL BE INTERCHANGEABLE BETWEEN FRAME SIZES WITH STANDARD FACTORY FUSE REDUCERS. FUSES SHALL BE AS FOLLOWS UNLESS OTHERWISE INDICATED: a. CIRCUITS 601 TO 6000 AMPERES SHALL BE PROTECTED BY CURRENT LIMITING BUSSMANN LOW-PEAK TIME-DELAY FUSES KRP-C - UL CLASS L b. CIRCUITS 0 TO 600 AMPERES SHALL BE PROTECTED BY CURRENT LIMITING BUSSMANN LOW-PEAK DUAL-ELEMENT FUSES LPN-RK (250 VOLTS) OR LPS-RK (600 VOLTS) - UL CLASS RK1 c. ALL INDIVIDUAL MOTOR CIRCUITS RATED 480 AMPERES OR LESS SHALL BE PROTECTED BY BUSSMANN LOW-PEAK DUAL-ELEMENT FUSES LPN-RK (250 VOLTS) OR LPS-RK (600 VOLTS) - UL CLASS RK1 OR L d. CIRCUIT BREAKER PANELS SHALL BE PROTECTED BY BUSSMANN LOW-PEAK DUAL-ELEMENT FUSES LPN-RK (250 VOLTS), LPS-RK (600 VOLTS) OR BUSSMANN LOW-PEAK KRP-C TIME-DELAY FUSES - UL CLASS RK1 OR L e. ALL DUAL-ELEMENT FUSES SHALL HAVE SEPARATE OVERLOAD AND SHORT-CIRCUIT ELEMENTS. f. PROVIDE SPARE FUSE CABINET AFTER THE COMPLETION OF THE PROJECT WITH ONE SET OF SPARE FUSES FOR EVERY SIZE USED.
16.2	COMPLETE INSTALLATION: PROVIDE ALL LABOR, MATERIALS, EQUIPMENT, TOOLS, ACCESSORIES, ETC., NECESSARY TO ACCOMPLISH A COMPLETE ELECTRICAL SYSTEM IN ACCORDANCE WITH THE PLANS TOGETHER WITH THE SPECIFICATIONS.	16.21	TEMPORARY CONSTRUCTION POWER: PROVIDE TEMPORARY ELECTRICAL POWER AND LIGHTING FOR ALL TRADES THAT REQUIRE SERVICE DURING THE COURSE OF THIS PROJECT. PROVIDE TEMPORARY SERVICE AND DISTRIBUTION AS REQUIRED. COMPLY WITH THE NEC AND OSHA REQUIREMENTS. (ENERGY COSTS BY OTHERS).
16.3	PERMITS: OBTAIN AND PAY FOR ALL BUILDING AND WORKING PERMITS AND INSPECTION FEES REQUIRED FOR THIS PROJECT.	16.22	SUBMITTALS: BEFORE ORDERING ANY EQUIPMENT, CONTRACTOR SHALL SUBMIT ELECTRONIC PDF COPIES OF FACTORY SHOP DRAWINGS FOR ALL LIGHTING FIXTURES, SWITCHGEAR, PANELS, MOTOR CONTROLLERS, WIRING DEVICES, ETC. PROPOSED FOR THIS PROJECT.
16.4	DRAWINGS: DATA PRESENTED ON THESE DRAWINGS SHALL BE FIELD VERIFIED SINCE ALL DIMENSIONS, LOCATIONS AND LEVELS ARE GOVERNED BY ACTUAL FIELD CONDITIONS. REVIEW ALL ARCHITECTURAL, STRUCTURAL, CIVIL, MECHANICAL AND SPECIALTY SYSTEMS DRAWINGS AND ADJUST ALL WORK TO MEET THE REQUIREMENTS ON CONDITIONS SHOWN THEREON. DO NOT SCALE ELECTRICAL PLANS FOR FIXTURE, DEVICE OR APPLIANCE LOCATIONS. USE CONFIGURED DIMENSIONS IF GIVEN OR CHECK ARCHITECTURAL OR MECHANICAL DRAWINGS.	16.23	SUBSTITUTIONS: PROPOSED SUBSTITUTIONS SHALL BE EQUAL OR SUPERIOR TO SPECIFIED ITEMS IN ALL RESPECTS. DETERMINATION OF EQUALITY RESTS SOLELY WITH ENGINEER. SUBSTITUTIONS MUST BE SUBMITTED A MINIMUM OF 10 WORKING DAYS PRIOR TO BID FOR CONSIDERATION. PROPOSED SUBSTITUTIONS PROVIDED LATER WILL NOT BE REVIEWED OR ALLOWED. BID SUBSTITUTED MATERIAL WILL ONLY BE ALLOWED IF ACCEPTED IN WRITING BY ENGINEER.
16.5	COPYRIGHT: THESE PLANS, SPECIFICATIONS AND ALL RELATED ADDENDA AND DOCUMENTS CONSTITUTE COPYRIGHT MATERIALS OF JP ENGINEERING. ALL RIGHTS CONFERRED BY THE COPYRIGHT AND SIMILAR LAWS ARE RESERVED TO JP ENGINEERING. THESE MATERIALS SHALL REMAIN THE SOLE PROPERTY OF JP ENGINEERING AND MAY NOT BE REPRODUCED, DISTRIBUTED TO OTHERS OR USED FOR ANY PURPOSE WHATSOEVER WITHOUT THE PRIOR WRITTEN CONSENT OF JP ENGINEERING.	16.24	IDENTIFICATION: PROVIDE ENGRAVED NAMEPLATES FOR ALL SWITCHBOARDS, PANELS, TRANSFORMERS, DISCONNECTS, MOTOR STARTERS, CONTACTORS, TIME SWITCHES AND CABINETS. NAMEPLATES SHALL INCLUDE THE FOLLOWING INFORMATION AS APPLICABLE: DESIGNATION (i.e. PANEL A) FUNCTION (i.e. AIR HANDLER AH-1) VOLTAGE, PHASE, WIRE (i.e. 480 VOLT, 3Ø, 4W) FEEDER SIZE (i.e. 4-#4/0 THWN CU IN 2" C.) SOURCE (i.e. SWITCHBOARD MSB) NAMEPLATES SHALL BE WHITE LETTERS ON BLACK FOR NORMAL EQUIPMENT AND WHITE LETTERS ON RED FOR EMERGENCY EQUIPMENT.
16.6	LOCATIONS: INDICATED LOCATIONS OF ALL OUTLETS AND EQUIPMENT ARE SUBJECT TO CHANGE. SHIFT/RELOCATE/RECONFIGURE ANY OUTLET, EQUIPMENT OR CONNECTION POINT UP TO 10' AS DIRECTED BY ENGINEER, AT NO ADDED COST.	16.25	GUARANTEE: THE COMPLETE ELECTRICAL SYSTEM, AND ALL PORTIONS THEREOF, SHALL BE GUARANTEED TO BE FREE FROM DEFECTS IN WORKMANSHIP AND MATERIALS FOR A PERIOD OF ONE YEAR FROM DATE OF FINAL ACCEPTANCE. PROMPTLY REMEDY SUCH DEFECTS AND ANY SUBSEQUENT DAMAGE CAUSED BY THE DEFECTS OR REPAIR THEREOF AT NO EXPENSE TO THE OWNER. LAMPS ARE EXEMPT FROM THIS GUARANTEE, BUT SHALL BE NEW AT TIME OF FINAL ACCEPTANCE.
16.7	RECORD DRAWINGS: CONTRACTOR SHALL PROVIDE, PRIOR TO FINAL ACCEPTANCE AND OBSERVATION, ONE SET OF REVISED RECORD ELECTRICAL CONSTRUCTION DOCUMENTS ON REPRODUCIBLE MEDIUM INDICATING THE FOLLOWING ADDITIONAL INFORMATION: EXACT ROUTING OF ALL CONDUITS LARGER THAN 1" EXACT LOCATION OF ALL SERVICE GROUNDING/BONDING CONNECTIONS CONTRACTORS NAME, ADDRESS AND TELEPHONE NUMBER RECORD NOTATIONS SHALL BE CLEARLY DRAWN AT A DRAFTING APPEARANCE EQUAL TO THE ORIGINAL DRAWINGS. CONTRACTOR SHALL ALSO PROVIDE ALL OPERATING AND MAINTENANCE MANUALS PRIOR TO FINAL PAYMENT.	16.26	SUSPENDED CEILING SYSTEMS: ALL LAY-IN FIXTURES SHALL BE INDEPENDENTLY SUPPORTED BY TWO #12 SLACK WIRES ATTACHED TO TWO OPPOSITE CORNERS OF THE FIXTURE PER UBC & NEC REQUIREMENTS. THESE WIRES SHALL BE SECURED TO THE STRUCTURAL FRAMING SUCH THAT FAILURE OF THE SUSPENDED CEILING SHALL NOT ALLOW THE FIXTURE TO DROP.
16.8	EXAMINATION OF SITE AND EXISTING CONDITIONS: BEFORE SUBMITTING A PROPOSAL, CONTRACTOR SHALL EXAMINE THE SITE AND FAMILIARIZE HIMSELF WITH THE EXISTING CONDITIONS AND LIMITATIONS. NO EXTRAS WILL BE ALLOWED BECAUSE OF THE CONTRACTOR'S MISUNDERSTANDING OF THE AMOUNT OF WORK INVOLVED OR HIS LACK OF KNOWLEDGE OF ANY SITE CONDITIONS WHICH MAY AFFECT HIS WORK. ANY APPARENT DEFICIENCIES OF THE DRAWINGS OR SPECIFICATIONS FROM THE EXISTING CONDITIONS AT THE SITE SHALL BE CALLED TO THE ATTENTION OF THE ENGINEER BEFORE SUBMITTING A PROPOSAL.	16.27	COORDINATION: THE CIVIL, ARCHITECTURAL, MECHANICAL, KITCHEN AND INTERIOR DRAWINGS CONTAIN DETAIL DESCRIPTIONS, CIRCUITING AND CONNECTION REQUIREMENTS WHICH ARE PART OF DIVISION 16 RESPONSIBILITIES. ELECTRICAL CONTRACTOR SHOULD NOT SUBMIT BIDS ON THIS PROJECT BEFORE REVIEWING ALL PROJECT DRAWINGS, SPECIFICATIONS AND ADDENDA.
16.9	EXISTING OUTLETS: EXISTING OUTLETS AND CIRCUITING NOT IN CONFLICT WITH NEW CONDITIONS SHALL REMAIN. EXTENDED OUTLETS TO NEW SURFACES, FINAL SURFACE SHALL BE CALCULATED TO PROVIDE PLATES AS REQUIRED TO PRESENT A SERVICEABLE AND FINISHED APPEARANCE. ALL EXISTING OUTLETS LOCATED WITHIN THE AREA OF WORK SHALL BE RAISED TO A HEIGHT OF 24" A.F.F. AND SHALL CONSIST OF INSTALLING A NEW FLUSH MOUNTED BOX AND RACEWAY TO THE 24" A.F.F. LEVEL FROM THE EXISTING RECEPTACLE LOCATION. PROVIDE NEW BLANK COVER ON JUNCTION BOX BELOW.	16.28	SIGNAL AND DATA: THE TELECOM, VOICE AND FIBER OPTIC EQUIPMENT AND INSTALLATION SHALL BE IN ACCORDANCE WITH BISC DESIGN AND CONSTRUCTION STANDARDS. ALL NEW DATA/VOICE EQUIPMENT SHALL BE MANUFACTURED BY BELDEN FOR AN END TO END SOLUTION TO ENSURE THE 20-YEAR WARRANTY WILL BE IN EFFECT. CONTRACTOR SHALL BE RESPONSIBLE FOR PROVIDING AND INSTALLING ALL REQUIRED RACK MOUNTED EQUIPMENT FOR THE NUMBER OF DATA PORTS SHOWN IN THE DOCUMENTS. THE LOW VOLTAGE CONTRACTOR SHALL BE BELDEN CERTIFIED TO ENSURE THE 20-YEAR WARRANTY IS IN EFFECT. ALL HORIZONTAL VOICE CABLING, DATA CABLING, PATCH CORDS AND WORK AREA CORDS SHALL BE BLUE CATEGORY 6 UNSHIELDED TWISTED PAIR. ALL DATA PATCH PANELS AND DATA OUTLET JACKS SHALL BE CATEGORY 6. ALL CABLING AND TERMINATION EQUIPMENT SHALL BE MANUFACTURED BY BELDEN AND PART OF THE SAME CABLING SYSTEM. HORIZONTAL VOICE AND DATA CABLING SHALL HAVE A PLENUM RATED JACKET (CMP, OFNP). BACKBONE CABLE ROUTED IN EMT CONDUIT SHALL HAVE A LISTED RISER OR PLENUM RATED JACKET (CMP, CMR, OFNP, OFNR). NO SPLICES WILL BE PERMITTED IN ANY TELECOM CABLING. THE MAXIMUM CABLE LENGTH BETWEEN THE WORK AREA OUTLET AND THE TERMINATION IN THE TELECOM ROOM SHALL BE 295 FEET. NOTIFY THE ENGINEER OF HORIZONTAL CABLES LONGER THAN 295 FEET PRIOR TO INSTALLATION. 10'-0" OF SLACK IN THE HORIZONTAL CABLE SHALL BE STORED IN THE LADDER RACK AT THE TELECOM ROOMS. 3'-0" OF SLACK IN THE HORIZONTAL CABLE SHALL BE STORED IN AN ACCESSIBLE CEILING SPACE ABOVE ALL TELECOM OUTLETS. 0'-5" OF SLACK SHALL BE STORED BEHIND EACH TELECOM OUTLET (IF POSSIBLE WITHOUT COMPROMISING THE MINIMUM BEND RADIUS). ALL HORIZONTAL CABLE SHALL BE ROUTED THROUGH ACCESSIBLE CEILING SPACE WHERE AVAILABLE AND SHALL BE ROUTED IN J-HOOKS MOUNTED PARALLEL TO BUILDING LINES. TELECOM CABLING SHALL BE INSTALLED IN A NEAT AND WORKMANLIKE MANNER. ALL CABLES SHALL BE NEATLY LOOSELY BUNDLED (UNCOMBED) AND DRESSED IN THE TELECOM ROOMS. BUNDLE HORIZONTAL CABLE WITH VELCRO TIE WRAPS AT 2'-0" CENTERS OUTSIDE OF THE TELECOM ROOMS AND AT 1'-0" CENTERS INSIDE THE TELECOM ROOMS. VELCRO TIE WRAPS SHALL BE PLENUM RATED WHERE LOCATED IN PLENUM SPACES. WERE PENETRATING FIRE WALLS AND THE INSTALLATION OF FIRE STOPPING IS REQUIRED, THE CONTRACTOR SHALL UTILIZE REMOVABLE FIRE STOP, NO SPRAY IN FOAM IS ALLOWED. PROVIDE SLACK IN CABLES AT ENTRANCES AND EXITS OF CONDUIT SLEEVES AND AT TRANSITIONS FROM HORIZONTAL TO VERTICAL CABLE LADDERS AND CABLE TRAYS. PROVIDE PATCH CABLES FOR EACH DROP INSTALLED AND TERMINATED IN DATA RACKS. PATCH CABLES SHALL BE (1) 15' AND (1) 7' PER DROP. 7' PATCH CORDS SHALL BE SMALL DIAMETER/HIGH DENSITY. ALL CABLING SHALL BE TESTED END TO END WITH FLUKE DSX CATEGORY CABLE TESTER (OR COMPARABLE) PRIOR TO COMPLETION OF WORK AND TEST RESULTS SHALL BE PROVIDED TO THE ENGINEER FOR REVIEW. THE ACCESSIBLE PORTIONS OF ABANDONED COMMUNICATIONS CABLE, COAXIAL CABLE, FIBER OPTIC CABLE AND DATA CABLE SHALL BE REMOVED BACK TO THE SOURCE DURING DEMOLITION.
16.10	EXISTING SWITCHGEAR: REUSE EXISTING SWITCHGEAR AND PANELS IN PLACE WHERE SO INDICATED. MODIFY AS REQUIRED TO ACCOMMODATE NEW WORK. PROVIDE NEW CIRCUIT BREAKERS AND/OR FUSES AS REQUIRED. REARRANGE EXISTING CIRCUITS WITHIN PANELS TO AGREE WITH NEW PANEL SCHEDULES. TRACE AND IDENTIFY ALL EXISTING CIRCUITS ON NEW RECORD PANEL SCHEDULES.		
16.11	DEMOLITION: PROVIDE COMPLETE ELECTRICAL DEMOLITION: REMOVE EXISTING OUTLETS AND EQUIPMENT IN CONFLICT WITH NEW CONDITIONS. DO NOT ABANDON EQUIPMENT IN PLACE. ALL EQUIPMENT NOT BEING REUSED SHALL BE REMOVED. REMOVE ALL WIRE FROM ABANDONED RACEWAYS. WHEN EQUIPMENT AND/OR DEVICES ARE REMOVED FROM SERVICE BY BEING DISCONNECTED, REMOVE THE CONDUCTORS AND CONDUIT BACK TO THE SOURCE. CONDUITS IN CONCRETE SHALL BE CUT FLUSH WITH THE FLOOR AND SEALED. CONTRACTOR SHALL INSURE CONTINUITY OF EXISTING CIRCUITING PASSING THROUGH DEMOLITION AREAS. EXTEND AND/OR RELOCATE AS NECESSARY. SHIFT/RELOCATE EXISTING EQUIPMENT AND CIRCUITING AS REQUIRED TO ACCOMMODATE NEW WORK. REMOVE ALL LABELS NOT BEING REUSED. UPDATE PANEL SCHEDULES FOR REMOVED LOADS. INDICATE "SPARE" ON THE SCHEDULE WHEN WIRES ARE REMOVED FROM A CIRCUIT BREAKER AND "SPACE" ON OPEN BREAKER SPOTS. UNDERGROUND CONDUIT SHALL BE CAPPED AND LABELED WITH AN ATTACHED IDENTIFICATION TAG INDICATING CONDUIT ORIGIN.		
16.12	SALVAGE: ALL EXISTING EQUIPMENT REMOVED DURING THE COURSE OF THIS PROJECT SHALL BE OFFERED TO OWNER FOR SALVAGE. ANY EQUIPMENT SELECTED BY OWNER SHALL BE DELIVERED TO OWNER ON SITE. ALL REMAINING EQUIPMENT BECOMES THE PROPERTY OF THIS CONTRACTOR AND SHALL BE REMOVED FROM THE SITE.		
16.13	TESTING: PRIOR TO PLACING IN SERVICE, ALL ELECTRICAL SYSTEMS SHALL BE TESTED FOR OPENS, GROUNDS, AND PHASE ROTATION. THE MAIN SERVICE GROUND AND ALL LOCAL TRANSFORMER MADE GROUNDS SHALL BE MEGGER-TESTED.		
16.14	GROUNDING: TEST EXISTING SERVICE NEUTRAL FOR ADEQUACY AND FOR GROUND CONTINUITY. GROUND ALL EQUIPMENT AND SYSTEM NEUTRAL IN ACCORDANCE WITH ARTICLE 250 OF THE NEC. ALL RACEWAYS SHALL CONTAIN A GROUNDING CONDUCTOR. EQUIPMENT GROUNDS HAVE NOT BEEN SHOWN ON DRAWINGS - WHERE GROUND WIRES HAVE BEEN SHOWN THEY INDICATE AN INSULATED GROUND.		
16.15	EQUIPMENT STANDARDS: ALL MATERIALS AND EQUIPMENT SHALL BE NEW AND OF THE HIGHEST QUALITY AVAILABLE ("SPECIFICATION GRADE") SERVICE EQUIPMENT SHALL BE FACTORY-ASSEMBLED COMMERCIAL-GRADE, CONFIGURED PER SERVING UTILITY STANDARDS. WIRING DEVICES SHALL BE SPECIFICATION GRADE WITH NYLON PLATES. WHITE UNLESS OTHERWISE NOTED, RAISED STEEL BOX COVERS MAY BE USED IN UTILITY AREAS.		
16.16	MATCH EXISTING: EXISTING EQUIPMENT AND SYSTEMS SHALL BE PROVIDED A MINIMUM STANDARD TO BE MET. IF NOT OTHERWISE EXCEEDED BY THESE PLANS AND SPECIFICATIONS. NEW MATERIALS AND EQUIPMENT SHALL MATCH EXISTING IN APPEARANCE AND FUNCTION.		
16.17	TAMPER-PROOF: ALL EQUIPMENT AND CIRCUITING ACCESSIBLE BY THE PUBLIC SHALL BE TAMPER-PROOF AND VANDAL RESISTANT. OPERABLE DEVICES AND EQUIPMENT SHALL BE PADLOCKABLE.		
16.18	CIRCUITING: ALL WIRING SHALL BE IN CONDUIT, MINIMUM 3/4" C, CONCEALED EXCEPT WHERE NOTED. EMT WITH STEEL SET SCREW INSULATED-THROAT FITTINGS MAY BE USED IN DRY, PROTECTED INTERIOR LOCATIONS. PVC SCHEDULE 40 SHALL BE USED BELOW GRADE AT MINIMUM -24". WRAPPED RIGID ELBOWS AND RISERS SHALL BE USED FOR ALL THROUGH-GRADE TRANSITIONS AND STUB-UPS. RGS OR IMC CONDUIT WITH THREADED FITTINGS SHALL BE USED IN ALL LOCATIONS WHERE EXPOSED TO THE ELEMENTS OR SUBJECT TO PHYSICAL DAMAGE. METAL-CLAD CABLE (TYPE MC) WILL BE ACCEPTABLE FOR USE AS; FLEXIBLE WHIPS FROM JUNCTION BOXES TO LIGHTING FIXTURES (MAXIMUM LENGTH OF 6-FEET) OR WITHIN CASEWORK AND ACCESSIBLE AREAS ONLY WHEN IN WRITING FROM THE ENGINEER. ENT IS NOT ALLOWED. CONNECT RECESSED AND SUSPENDED LIGHTING FIXTURES, MOTORIZED AND VIBRATING EQUIPMENT WITH STEEL FLEX. ALL CONDUIT SHALL HAVE PULL CORD IF OTHERWISE EMPTY.		
16.19	CONDUCTORS: WIRE SHALL BE COPPER. MINIMUM WIRE SIZE SHALL BE #12 AWG. INSULATION SHALL BE THW, THWN OR THHN.		

MASTER SYMBOL LIST

SIGNAL OUTLETS		RECEPTACLES		ABBREVIATIONS	
☎	TELEPHONE: 4S BOX WITH SINGLE GANG MUD RING UON, +24" AFF UON, PROVIDE 1" CONDUIT TO ACCESSIBLE SPACE	☎	DUPLEX: 20A, 125V, NEMA 5-20, +24" AFF	☎	CENTERLINE
▽	DATA: 4S BOX WITH SINGLE GANG MUD RING UON, +24" AFF UON, PROVIDE 1" CONDUIT TO ACCESSIBLE SPACE PROVIDE A MINIMUM OF TWO (2) CATEGORY CABLES TO DATA CLOSET AS INDICATED IN 16.30. UON.	☎	DOUBLE DUPLEX: 20A, 125V, NEMA 5-20, +24" AFF	AFF	ABOVE FINISHED FLOOR
▽	VOICE/DATA: 4S BOX WITH SINGLE GANG MUD RING UON, +24" AFF UON, PROVIDE 1" CONDUIT TO ACCESSIBLE SPACE PROVIDE A MINIMUM OF TWO (2) CATEGORY CABLES TO DATA CLOSET AS INDICATED IN 16.30. UON.	☎	HALF SWITCHED DUPLEX: 20A, 125V, NEMA 5-20, +24" AFF (TOP HALF SWITCHED)	AIC	AMPERES INTERRUPTING CAPACITY
◇	TELEVISION: 4S BOX WITH SINGLE GANG MUD RING UON, +24" AFF UON, PROVIDE 1" CONDUIT TO ACCESSIBLE SPACE	☎	DUPLEX GFCI: 20A, 125V, GFCI, NEMA 5-20 GFR, +24" AFF	AFC	ABOVE FINISH CEILING
📷	CAMERA: 4S BOX WITH SINGLE GANG MUD RING UON, CEILING MOUNTED UON	☎	DUPLEX I.G.: 20A, 125V, ISO. GND., NEMA 5-20 IG +24" AFF (WHITE WITH ORANGE TRIANGLE, UON)	BMS	BUILDING MANAGEMENT SYSTEM
🎤	MICROPHONE: 4S BOX WITH SINGLE GANG MUD RING UON, +24" AFF UON	☎	DOUBLE DUPLEX I.G.: 20A, 125V, ISO. GND., NEMA 5-20 IG +24" AFF (WHITE WITH ORANGE TRIANGLE, UON)	C	CONDUIT
🔊	VOLUME CONTROL: 4S BOX WITH SINGLE GANG MUD RING UON, +48" TO TOP UON	☎	RELAY (120V COIL, STEP DN XFMR IF REQUIRED, UON)	CB	CIRCUIT BREAKER
🔊	SPEAKER: 8" COAXIAL WITH BACK BOX AND GRILLE, CEILING MOUNTED UON	☎	CONTACTOR (120V COIL, STEP DN XFMR IF REQUIRED, UON)	CLG	CEILING
→	3/4" C (UON) STUB INTO ACCESSIBLE CEILING SPACE	☎	COMBINATION MAGNETIC STARTER/FUSED DISCONNECT	CIR	CIRCUIT
SWITCHES		☎	NON-FUSIBLE DISCONNECT SWITCH	DPDT	DOUBLE POLE DOUBLE THROW
S	SINGLE POLE: 20A, 120/277V, +48" TO TOP UON	☎	FUSIBLE DISCONNECT SWITCH	DPST	DOUBLE POLE SINGLE THROW
S ₂	TWO POLE: 20A, 120/277V, +48" TO TOP UON	☎	FULLBOX: SIZE AS REQUIRED BY NEC	(E)	EXISTING TO REMAIN
S ₃	THREE WAY: 20A, 120/277V, +48" TO TOP UON	☎	JUNCTION BOX: SIZE AS REQUIRED BY NEC	ELEV	ELEVATOR
S ₄	FOUR WAY: 20A, 120/277V, +48" TO TOP UON	☎	SURFACE RACEWAY WITH OR WITHOUT DEVICES	EMT	ELECTRICAL METALLIC TUBING
S _X	X INDICATES EMERGENCY CIRCUIT	☎	TELEPOWER POLE	EPO	EMERGENCY POWER OFF SYSTEM
S _P	P INDICATES PILOT LIGHT (LIGHTED WHEN ON)	☎	CONDUIT IN WALL OR ABOVE CEILING	FBO	FURNISHED BY OTHERS
S _L	L INDICATES PILOT LOCATOR (LIGHTED WHEN OFF)	☎	CONDUIT IN FLOOR OR BELOW GRADE	FLUOR	FLUORESCENT
S _K	K INDICATES KEY OPERATED SWITCH	☎	METAL CLAD CABLE (MC) - NOT ALLOWED ON THIS PROJECT	FU	FUSE: DUAL-ELEMENT, TIME DELAY
S _M	MANUAL MOTOR STARTER: 20A, 120/277V, POLES AND HEATERS AS REQUIRED	☎	OVERHEAD SERVICE	GF/GFCI	GROUND FAULT INTERRUPTER
S _{MC}	MOMENTARY CONTACT: 20A, 120/277V, SPDT CENTER NORMALLY OFF UON, +48" TO TOP UON	☎	PRIMARY	GND	GROUND
D	DIMMER: 600 WATT UON, ELECTRONIC SLIDER, WITH ON/OFF TOGGLE, +48" TO TOP UON (PLANS SHALL INDICATE TYPE: FLUOR, INCAND OR LOW-VOLTAGE)	☎	SECONDARY	HOA	HAND-OFF-AUTOMATIC
◆	MOTION/OCCUPANCY SENSOR SWITCH WITH OFF-AUTO SELECTOR - WALL MOUNTED AT +48" TO TOP UON	☎	TELEPHONE	HID	HIGH INTENSITY DISCHARGE
OS = 360	ULTRASONIC MOTION/OCCUPANCY SENSOR SWITCH	☎	TELEVISION	IG	ISOLATED GROUND
OS = 180	ARROWS INDICATE DIRECTION AND COVERAGE PROVIDE WITH POWER PACK PER MANUFACTURERS REQUIREMENTS	☎	LOW VOLTAGE AND/OR CONTROL CIRCUITING	INCAND	INCANDESCENT
☎	PHOTO ELECTRIC SWITCH: 1600VA UON	☎	EMERGENCY CIRCUIT	K	kcmil (300K = 300 kcmil)
METHODS		☎	STUB OUT: MARK AND CAP (SITE)	LTG	LIGHTING
☎	SHADING INDICATES: FIXTURE, OUTLET, EQUIPMENT ETC. ON EMERGENCY 'X' OR NIGHT LIGHT 'NL' CIRCUIT	☎	CIRCUITING UP OR DOWN	LV	LOW VOLTAGE
SS	DEVICE MOUNTED IN MULTIPLE UNDER COMMON COVER MAXIMUM HEIGHT ON WALL SHALL BE +48" TO TOP UON	☎	TICS = NO. OF #12 WIRES (UON) IF MORE THAN TWO WITHIN CONDUIT OR MC	MCP	MOTOR CIRCUIT PROTECTOR
☎	DEVICES MOUNTED IN OR ABOVE COUNTER/BACKSPLASH: MAXIMUM HEIGHT ON WALLS SHALL BE +48" TO TOP UON	☎	ISOLATED GROUNDING CONDUCTOR	MC	MULTI-CONDUCTOR CABLE
☎	FLUSH FLOOR MOUNTED WIRING DEVICES	☎	GROUNDING CONDUCTOR	(N)	NEW
☎	FLUSH FLOOR MOUNTED WIRING DEVICES IN SINGLE MULTI-COMPARTMENT BOX	☎	PHASE CONDUCTOR(S)	NC	NORMALLY CLOSED
☎	RECEPTACLE MOUNTED IN CEILING OR CASEWORK	☎	GROUNDING CONDUCTOR	NEUT	NEUTRAL
☎	FINE DASHING INDICATES EXISTING EQUIPMENT AND DEVICES TO BE REMOVED	☎	ISOLATED GROUNDING CONDUCTOR	NL	NIGHT LIGHT
DESIGNATIONS		☎	NEUTRAL CONDUCTOR (ONE PER PHASE CONDUCTOR) PANEL DESIGNATION	NO	NORMALLY OPEN
☎	LIGHT FIXTURE: F1 = TYPE (SEE FIXTURE SCHEDULE)	☎	PHASE CONDUCTOR(S)	NTS	NOT TO SCALE
☎	SHEET NOTE	☎	GROUNDING CONDUCTOR	PNL	PANEL
☎	REVISION DELTA: NUMBER REPRESENTS REVISION	☎	ISOLATED GROUNDING CONDUCTOR	PVC	POLYVINYL CHLORIDE CONDUIT
☎	MECHANICAL AND PLUMBING EQUIPMENT	☎	NEUTRAL CONDUCTOR	(R)	EXISTING TO BE RELOCATED
☎	MISCELLANEOUS: THESE AND OTHER SYMBOLS AS INDICATED IN TABLES AND SCHEDULES ON THE PLANS.	☎	PANEL DESIGNATION	RAC	RIGID ALUMINUM CONDUIT
NOTE: THIS IS A MASTER SYMBOL LIST. ALL SYMBOLS SHOWN MAY NOT BE USED WITHIN THIS SET OF PLANS		☎	DUAL LEVEL LIGHTING CONTROL SWITCH 'a' = CENTER (1) LAMP SWITCH 'b' = OUTER (2) LAMPS	RSC	RIGID STEEL CONDUIT
DRAWING SCHEDULE		☎	HERMESTAT: AT +54" TO TOP UON (OR PER MECH PLANS)	SLD	SINGLE LINE DIAGRAM
		☎	EXHAUST FAN: FRACTIONAL HORSEPOWER	SO	SEAL OFF
		☎	MOTOR: NUMBER = HORSEPOWER	SPDT	SINGLE POLE DOUBLE THROW
		☎	SIGN: SIGNAGE CONNECTION	SPEN	SIZE PER EQUIPMENT NAMEPLATE
		☎	SHUNT TRIP STATION: +7'-6" AFF, 12" RED TRIANGLE, UON	SPST	SINGLE POLE SINGLE THROW
		☎	CONTROL STATION: AT +48" TO TOP UON	TEL	TELECOM
		☎	CONTROL STATION: AT +48" TO TOP UON	TYP	TYPICAL
		☎	DUAL LEVEL LIGHTING CONTROL SWITCH 'a' = CENTER (1) LAMP SWITCH 'b' = OUTER (2) LAMPS	UNSW	UNSWITCHED
		☎	HERMESTAT: AT +54" TO TOP UON (OR PER MECH PLANS)	UON	UNLESS OTHERWISE NOTED
		☎	EXHAUST FAN: FRACTIONAL HORSEPOWER	WP	WEATHERPROOF (NEMA 3R)
		☎	MOTOR: NUMBER = HORSEPOWER	WT	WATERTIGHT
		☎	SIGN: SIGNAGE CONNECTION	(X)	EXISTING TO BE REMOVED
		☎	SHUNT TRIP STATION: +7'-6" AFF, 12" RED TRIANGLE, UON	XFMR	TRANSFORMER
		☎	CONTROL STATION: AT +48" TO TOP UON	XP	EXPLOSION PROOF
		☎	DUAL LEVEL LIGHTING CONTROL SWITCH 'a' = CENTER (1) LAMP SWITCH 'b' = OUTER (2) LAMPS	FPEN	FUSE PER EQUIPMENT NAMEPLATE
		☎	HERMESTAT: AT +54" TO TOP UON (OR PER MECH PLANS)		
		☎	EXHAUST FAN: FRACTIONAL HORSEPOWER		
		☎	MOTOR: NUMBER = HORSEPOWER		
		☎	SIGN: SIGNAGE CONNECTION		
		☎	SHUNT TRIP STATION: +7'-6" AFF, 12" RED TRIANGLE, UON		
		☎	CONTROL STATION: AT +48" TO TOP UON		
		☎	DUAL LEVEL LIGHTING CONTROL SWITCH 'a' = CENTER (1) LAMP SWITCH 'b' = OUTER (2) LAMPS		
		☎	HERMESTAT: AT +54" TO TOP UON (OR PER MECH PLANS)		
		☎	EXHAUST FAN: FRACTIONAL HORSEPOWER		
		☎	MOTOR: NUMBER = HORSEPOWER		
		☎	SIGN: SIGNAGE CONNECTION		
		☎	SHUNT TRIP STATION: +7'-6" AFF, 12" RED TRIANGLE, UON		
		☎	CONTROL STATION: AT +48" TO TOP UON		
		☎	DUAL LEVEL LIGHTING CONTROL SWITCH 'a' = CENTER (1) LAMP SWITCH 'b' = OUTER (2) LAMPS		
		☎	HERMESTAT: AT +54" TO TOP UON (OR PER MECH PLANS)		
		☎	EXHAUST FAN: FRACTIONAL HORSEPOWER		
		☎	MOTOR: NUMBER = HORSEPOWER		
		☎	SIGN: SIGNAGE CONNECTION		
		☎	SHUNT TRIP STATION: +7'-6" AFF, 12" RED TRIANGLE, UON		
		☎	CONTROL STATION: AT +48" TO TOP UON		
		☎	DUAL LEVEL LIGHTING CONTROL SWITCH 'a' = CENTER (1) LAMP SWITCH 'b' = OUTER (2) LAMPS		
		☎	HERMESTAT: AT +54" TO TOP UON (OR PER MECH PLANS)		
		☎	EXHAUST FAN: FRACTIONAL HORSEPOWER		
		☎	MOTOR: NUMBER = HORSEPOWER		
		☎	SIGN: SIGNAGE CONNECTION		
		☎	SHUNT TRIP STATION: +7'-6" AFF, 12" RED TRIANGLE, UON		
		☎	CONTROL STATION: AT +48" TO TOP UON		
		☎	DUAL LEVEL LIGHTING CONTROL SWITCH 'a' = CENTER (1) LAMP SWITCH 'b' = OUTER (2) LAMPS		
		☎	HERMESTAT: AT +54" TO TOP UON (OR PER MECH PLANS)		
		☎	EXHAUST FAN: FRACTIONAL		



A	TELEPHONE/DATA OUTLET DETAIL
E0.2	SCALE: NOT TO SCALE

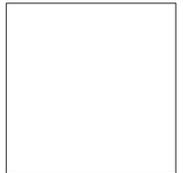
LIGHTING FIXTURE SCHEDULE

LIGHTING FIXTURE CATALOG NUMBERS ARE SERIES TYPE ONLY. PROVIDE TRIMS, BALLASTS, MOUNTING EQUIPMENT, FITTINGS AND LAMPS AS REQUIRED BY THE SPECIFICATIONS AND PROJECT CONDITIONS FOR A COMPLETE INSTALLATION. THIS IS NOT A STANDALONE SCHEDULE AND FIXTURES MUST INCORPORATE ALL WORK INDICATED OR IMPLIED THROUGHOUT THE DRAWINGS AND SPECIFICATIONS.

TYPE	SYMBOL	SKETCH	DESCRIPTION AND MANUFACTURER
L1			2X4 LED T-BAR LAY-IN MOUNTING HEIGHT: RECESSED LAMP: 7400 LUMENS (65 WATTS) VOLTAGE: MVOLT MANUFACTURER: DAY BRITE: 2FGG-74L-840-4-D-UNV-DIM SUBSTITUTIONS: <input type="radio"/> OR EQUAL <input checked="" type="radio"/> SUBJECT TO REVIEW <input type="radio"/> NO EQUAL
L2			LED, 2X4 LAY-IN FLAT PANEL MOUNTING HEIGHT: RECESSED LAMP: LED 6,000 LUMENS (58 WATTS) VOLTAGE: MVOLT MANUFACTURER: DAY-BRITE: 2FXP-60L-840-4-DS-UNV-DIM SUBSTITUTIONS: <input type="radio"/> OR EQUAL <input checked="" type="radio"/> SUBJECT TO REVIEW <input type="radio"/> NO EQUAL
L3			LED, 6" DOWNLIGHT MOUNTING HEIGHT: RECESSED LAMP: LED 1,500 LUMENS (15 WATTS) VOLTAGE: MVOLT MANUFACTURER: LIGHTQUIR: 6RN / Z6RDL-15-840-W-0-CD-Z10-U SUBSTITUTIONS: <input type="radio"/> OR EQUAL <input checked="" type="radio"/> SUBJECT TO REVIEW <input type="radio"/> NO EQUAL
A1			THERMOPLASTIC EXIT SIGN, SINGLE/DUAL FACE EXIT SIGN MOUNTING HEIGHT: ABOVE DOOR LAMP: INCLUDED VOLTAGE: 120/277V MANUFACTURER: EMERGI-LITE: ELYN400-CN SUBSTITUTIONS: <input type="radio"/> OR EQUAL <input checked="" type="radio"/> SUBJECT TO REVIEW <input type="radio"/> NO EQUAL

tsk

225 South Arlington Avenue
Reno NV, 89501
phone: 775.857.2949
fax: 775.857.2403
www.tska.com



THESE DRAWINGS AND SPECIFICATIONS ARE THE PROPERTY OF TATE SNYDER KIMSEY ARCHITECTS AND MAY NOT BE REPRODUCED OR USED FOR ANY PURPOSE WITHOUT THE ARCHITECTS WRITTEN CONSENT. AS INSTRUMENTS OF SERVICE, THESE DOCUMENTS ARE NOT FINAL AND READY FOR USE, AND THEREFORE NOT VALID, UNLESS THEY ARE SEALED, SIGNED AND DATED.
Copyright, Ltd 2017

Consultant

PRELIMINARY
NOT FOR CONSTRUCTION
12/20/2021

PLEASE RECYCLE

Project
**DCSO - RECORDS
RENOVATION**

1038 BUCKEYE ROAD
MINDEN NV, 89423

Job No: 20-034.10

Owner
DOUGLAS COUNTY

100%

REVISIONS		
REV	DATE	DESCRIPTION

Sheet Title
**ELECTRICAL
SCHEDULES AND
DETAILS**

Date: December 20, 2021

Sheet No:

E0.2



THESE DRAWINGS AND SPECIFICATIONS ARE THE PROPERTY OF TATE SNYDER KIMSEY ARCHITECTS AND MAY NOT BE REPRODUCED OR USED FOR ANY PURPOSE WITHOUT THE ARCHITECTS WRITTEN CONSENT. AS INSTRUMENTS OF SERVICE, THESE DOCUMENTS ARE NOT FINAL AND READY FOR USE, AND THEREFORE NOT VALID, UNLESS THEY ARE SEALED, SIGNED AND DATED.
 Copyright, Ltd 2017

Consultant

PRELIMINARY
NOT FOR CONSTRUCTION
 12/20/2021

PLEASE RECYCLE

Project
DCSO - RECORDS RENOVATION

**1038 BUCKEYE ROAD
 MINDEN NV, 89423**

Job No: 20-034.10

Owner
DOUGLAS COUNTY

100%

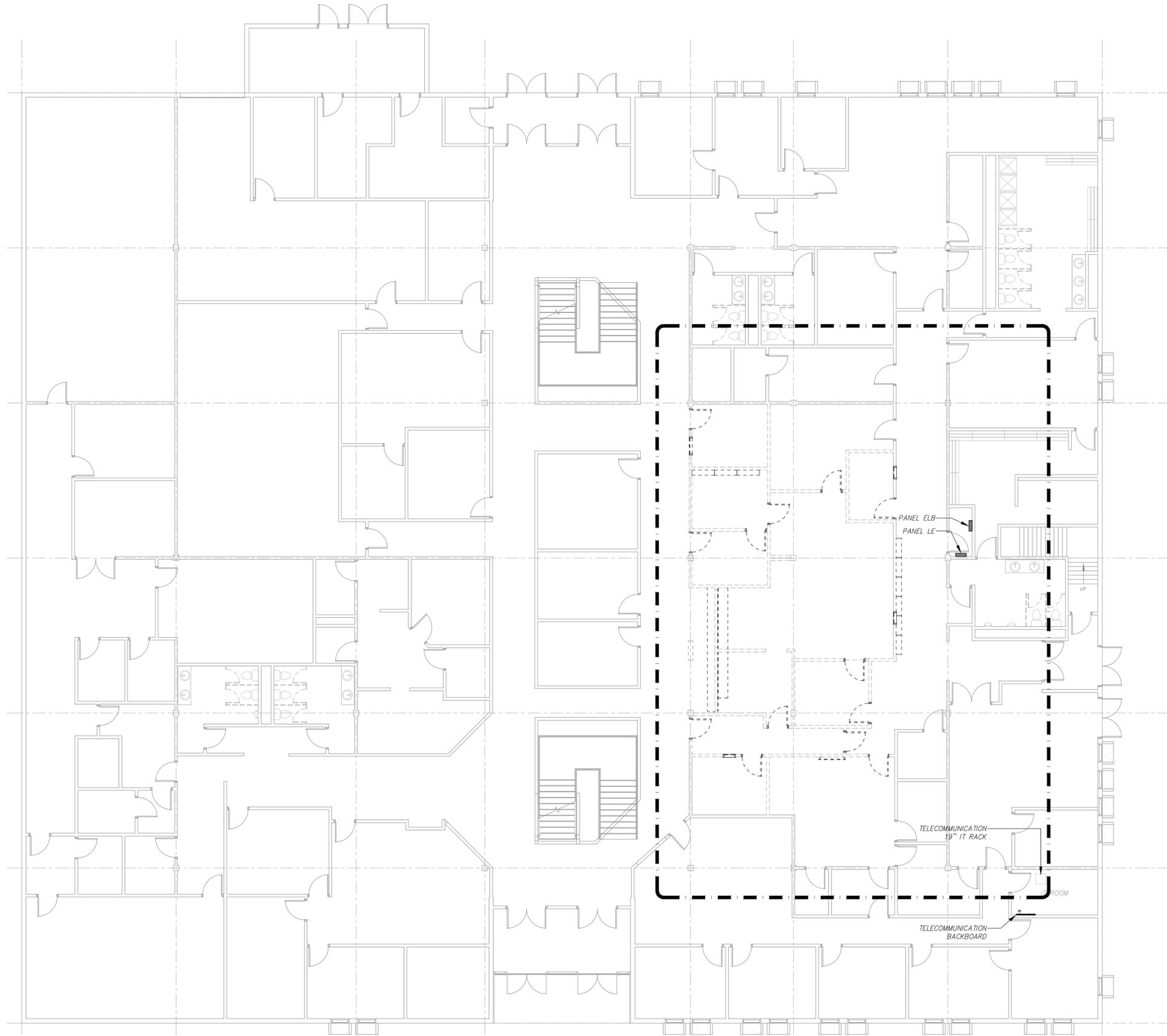
REVISIONS		
REV	DATE	DESCRIPTION

Sheet Title
**OVERALL LEVEL 1
 DEMOLITION PLAN**

Date: December 20, 2021

Sheet No:

E1.1



A	OVERALL LEVEL 1 DEMOLITION PLAN	
E1.1	SCALE: 1/8" = 1'-0"	



THESE DRAWINGS AND SPECIFICATIONS ARE THE PROPERTY OF TATE SNYDER KIMSEY ARCHITECTS AND MAY NOT BE REPRODUCED OR USED FOR ANY PURPOSE WITHOUT THE ARCHITECTS WRITTEN CONSENT. AS INSTRUMENTS OF SERVICE, THESE DOCUMENTS ARE NOT FINAL AND READY FOR USE, AND THEREFORE NOT VALID, UNLESS THEY ARE SEALED, SIGNED AND DATED.
 Copyright, Ltd 2017

Consultant

PRELIMINARY
NOT FOR CONSTRUCTION
 12/20/2021

PLEASE RECYCLE

Project
DCSO - RECORDS RENOVATION

1038 BUCKEYE ROAD
 MINDEN NV, 89423

Job No: 20-034.10

Owner
DOUGLAS COUNTY

100%

REVISIONS		
REV	DATE	DESCRIPTION

Sheet Title
ENLARGED DEMOLITION PLAN

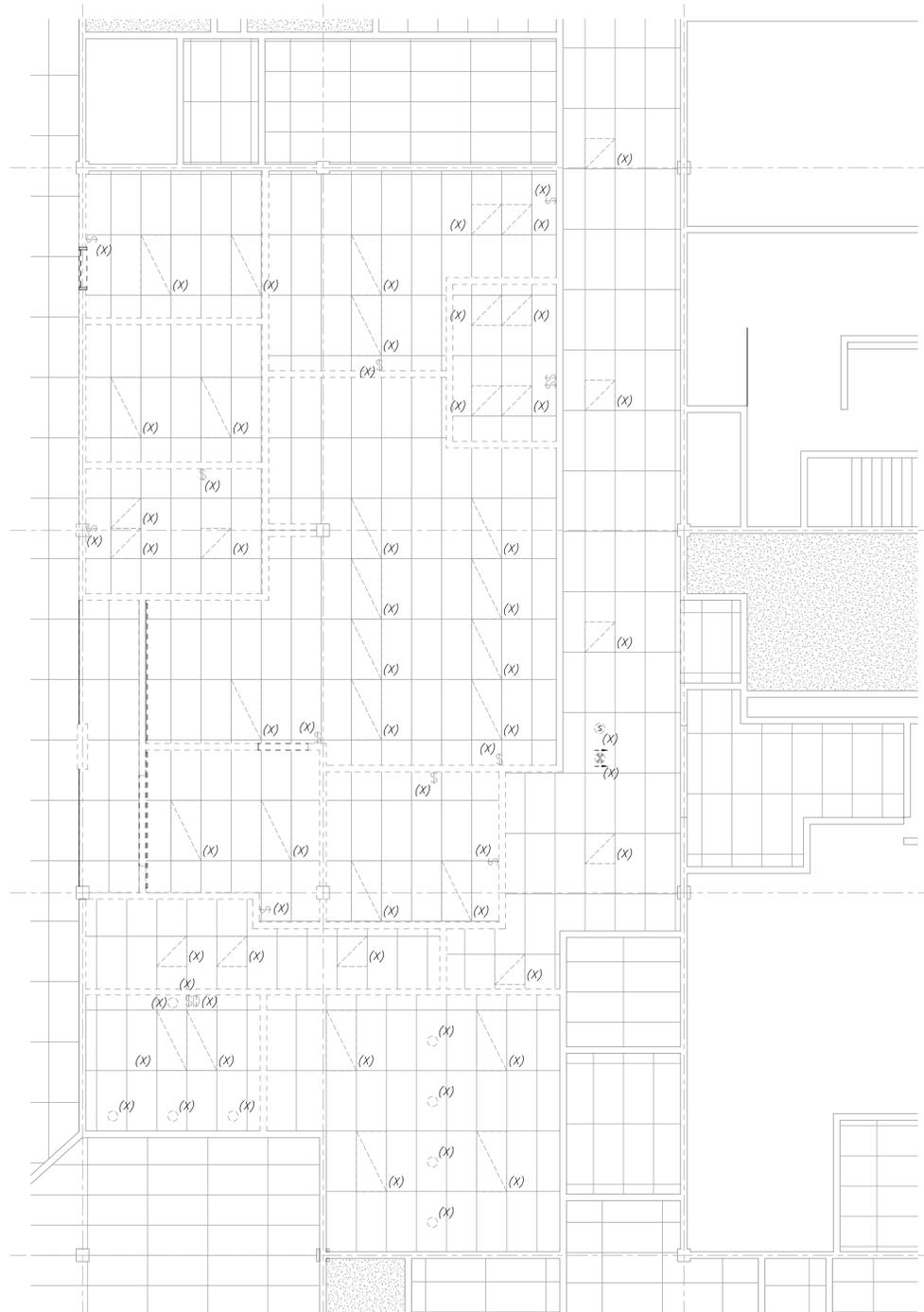
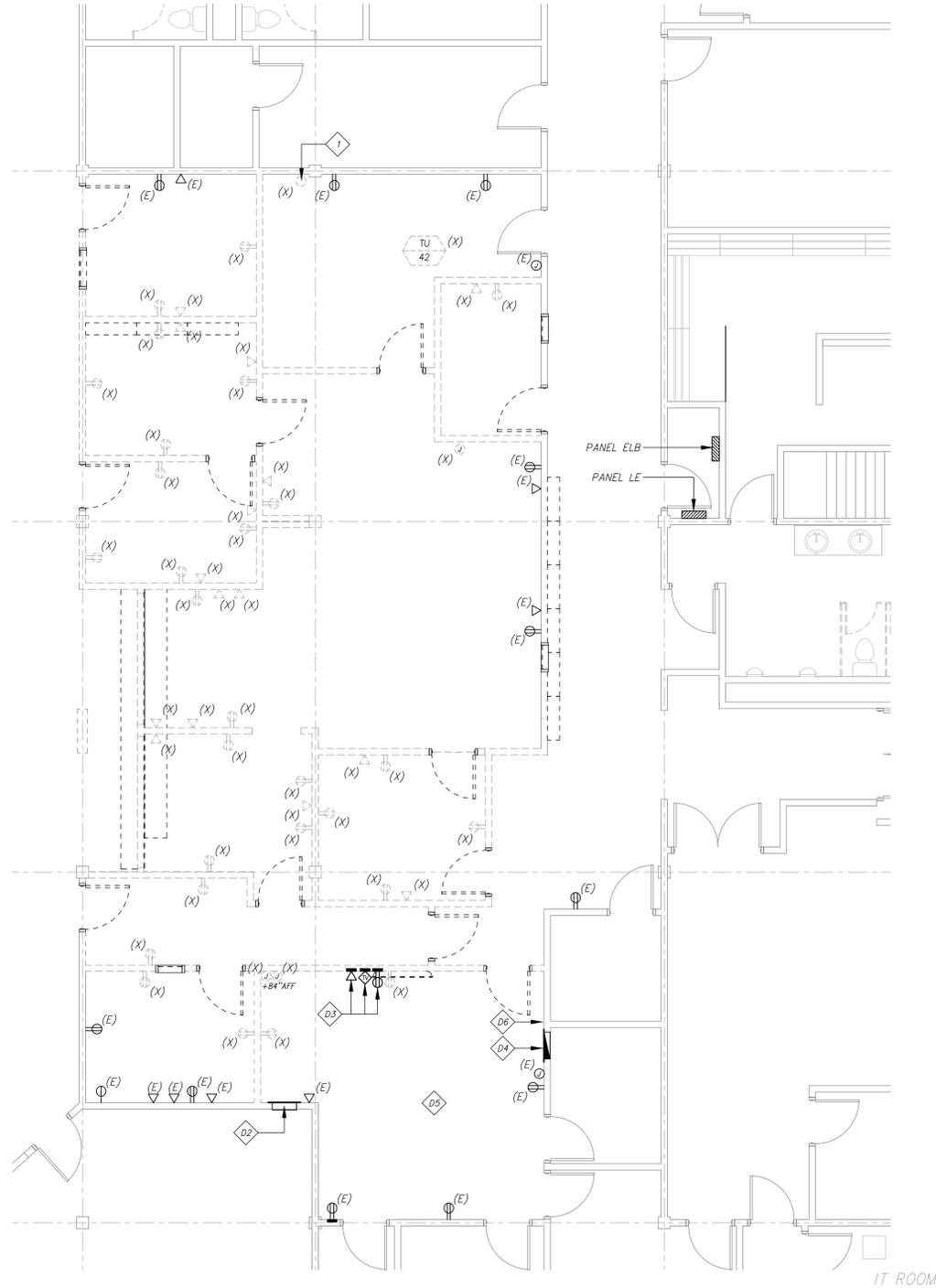
Date: December 20, 2021

Sheet No:

E1.2

SHEET NOTES	
D1	EXISTING VERTICAL SURFACE RACEWAY TO BE REMOVED TO ABOVE CEILING.
D2	EXISTING INTERCOMM CONNECTION TO REMAIN.
D3	EXISTING TELECONFERENCING EQUIPMENT CONNECTIONS SHALL BE RELOCATED IN THE NEW CONDITIONS. THE CONTRACTOR SHALL COORDINATE REMOVAL WITH DOUGLAS COUNTY REPRESENTATIVE AND EXTEND SERVICES TO THE NEW WALL. REFER TO THE NEW CONDITIONS FOR ADDITIONAL INFORMATION.
D4	EXISTING FIRE ALARM MONITOR MODULES AND BOOSTER PANEL TO REMAIN.
D5	EXISTING ROOM HAS A RAISED FLOOR WITH CABLING BELOW. THE CONTRACTOR SHALL UTILIZE SPACE TO ROUTE THE TELECONFERENCING CABLING.
D6	TELECONFERENCE CABLING ROUTED INTO FLOOR AND THROUGH WALL.

GENERAL NOTES	
1.	PROVIDE COMPLETE ELECTRICAL DEMOLITION OF THE AREA INVOLVED IN THE RENOVATION. REFER TO THE ARCHITECTURAL DRAWINGS FOR EXACT LIMITS OF CONSTRUCTION.
2.	ELECTRICAL BRANCH CIRCUITS SHALL BE UTILIZED IN THE RENOVATION. PULL CIRCUITS BACK TO JUNCTION BOXES IN THE RENOVATION AREA FOR USE IN THE NEW CONDITIONS.
3.	EXISTING TELECOMMUNICATIONS CABLING SHALL BE REMOVED BACK TO THE TELECOMMUNICATIONS RACK. EXISTING TELECOMMUNICATIONS CABLING SHALL NOT BE UTILIZED IN THE NEW CONDITIONS.



B
 E1.2
ENLARGED LEVEL 1 ELECTRICAL DEMOLITION PLAN
 SCALE: 3/16" = 1'-0"

A
 E1.2
ENLARGED LEVEL 1 LIGHTING DEMOLITION PLAN
 SCALE: 3/16" = 1'-0"



THESE DRAWINGS AND SPECIFICATIONS ARE THE PROPERTY OF TATE SNYDER KIMSEY ARCHITECTS AND MAY NOT BE REPRODUCED OR USED FOR ANY PURPOSE WITHOUT THE ARCHITECTS WRITTEN CONSENT. AS INSTRUMENTS OF SERVICE, THESE DOCUMENTS ARE NOT FINAL AND READY FOR USE, AND THEREFORE NOT VALID, UNLESS THEY ARE SEALED, SIGNED AND DATED.
 Copyright, Ltd 2017

Consultant

PRELIMINARY
NOT FOR CONSTRUCTION
 12/20/2021

PLEASE RECYCLE

Project
DCSO - RECORDS RENOVATION

1038 BUCKEYE ROAD
 MINDEN NV, 89423

Job No: 20-034.10

Owner
DOUGLAS COUNTY

100%

REVISIONS		
REV	DATE	DESCRIPTION

Sheet Title
ENLARGED POWER AND LIGHTING PLAN

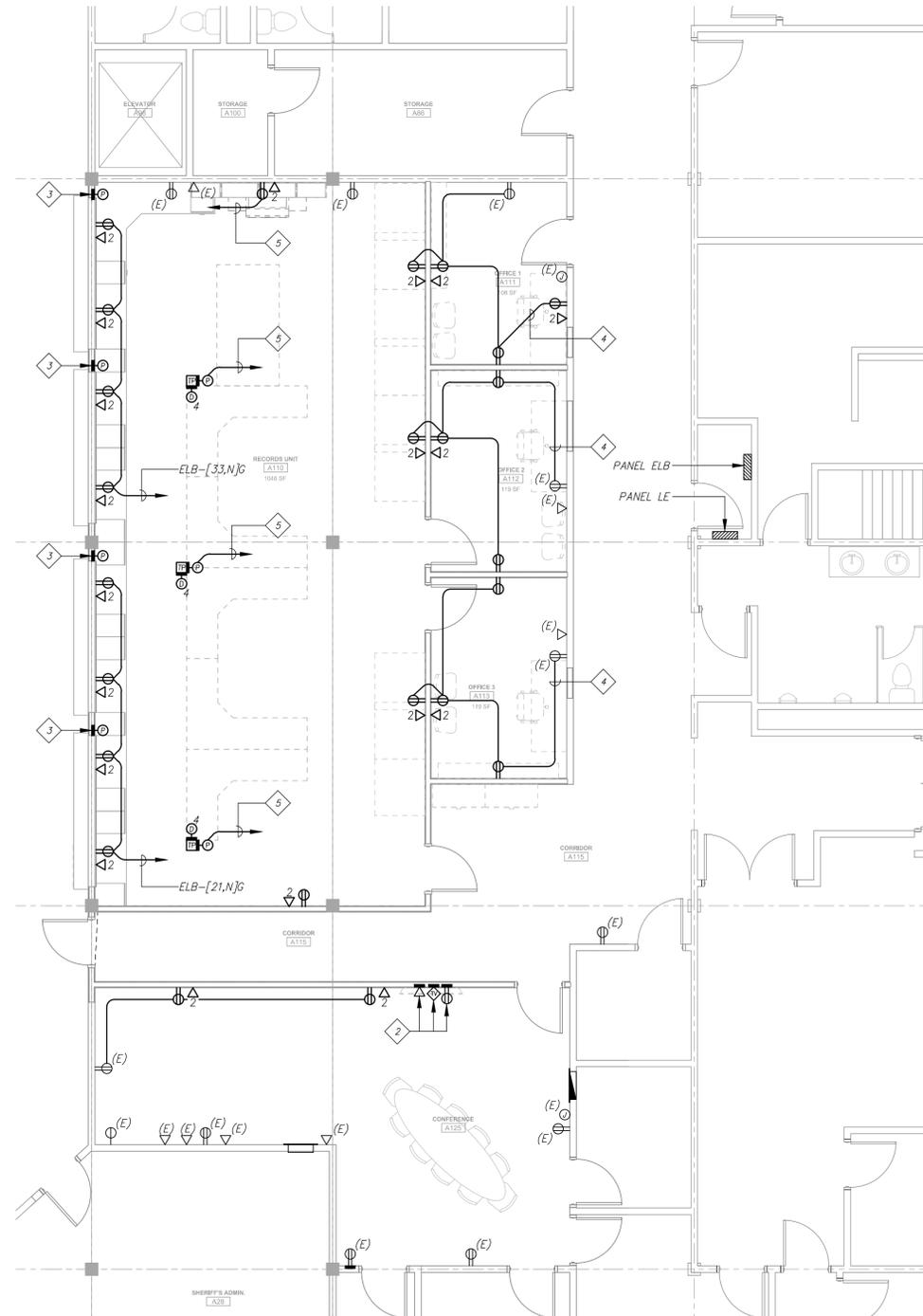
Date: December 20, 2021

Sheet No:

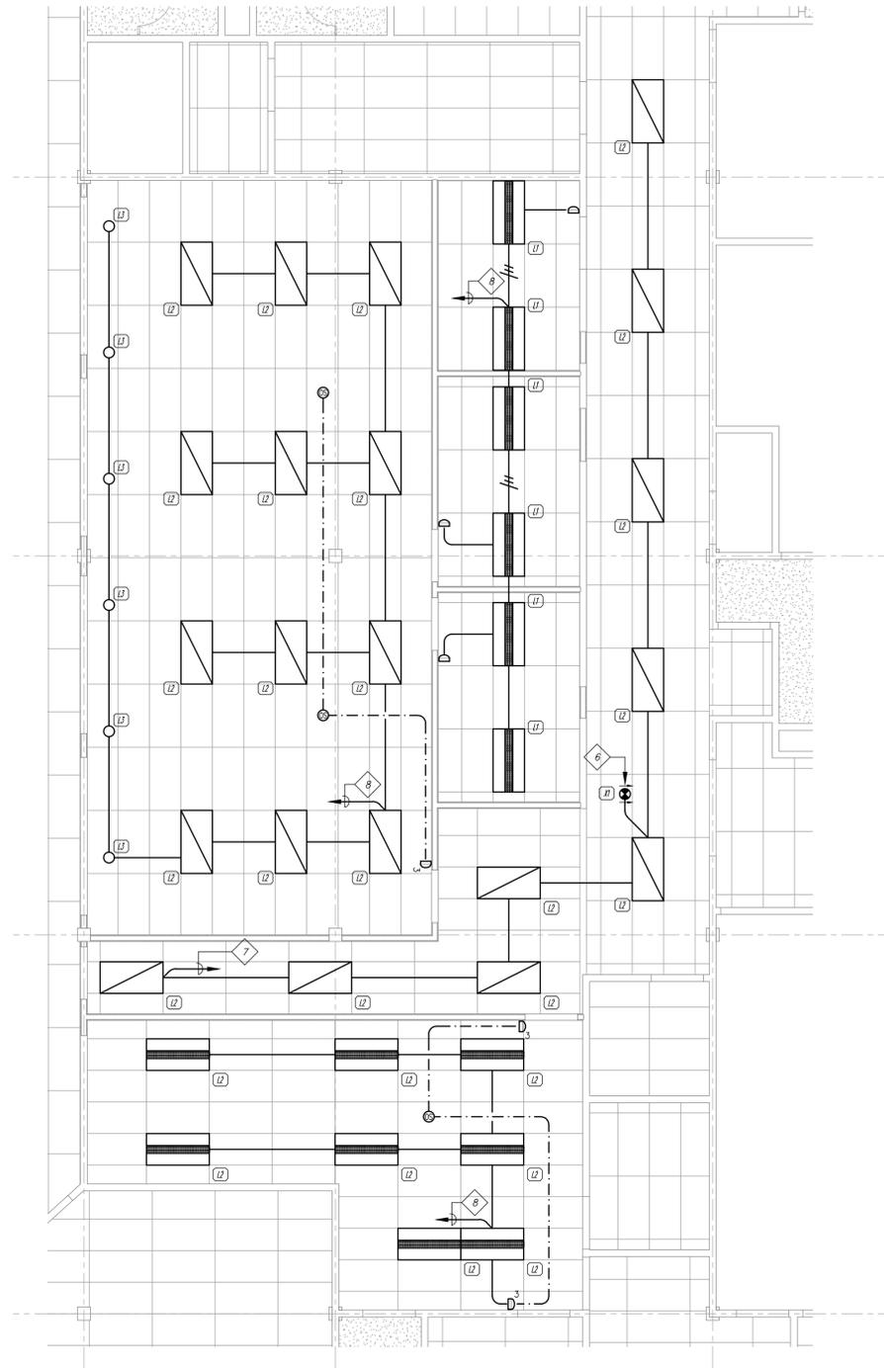
E2.2

SHEET NOTES

- 1 PROVIDE TELEPOWER POLE FOR CONNECTION OF MODULAR FURNITURE. POLE SHALL HAVE A LOW VOLTAGE AND POWER RACEWAY INTERNAL. PROVIDE CONNECTIONS IN COORDINATION WITH THE MODULAR FURNITURE MANUFACTURE FOR CONNECTION. PROVIDE QUANTITY OF TELECOMM CONNECTIONS AS INDICATED.
- 2 EXISTING TELECONFERENCING EQUIPMENT CONNECTIONS SHALL BE RELOCATED TO NEW LOCATION. THE CONTRACTOR SHALL COORDINATE WITH DOUGLAS COUNTY REPRESENTATIVE AND EXTEND SERVICES TO THE NEW WALL. WHERE CABLING DOES NOT REACH NEW LOCATION, THE CONTRACTOR SHALL PROVIDE NEW CABLING TO MATCH EXISTING.
- 3 OVERHEAD COILING DOOR POWER. COORDINATE THE INSTALLATION LOCATION AND ROUGH-IN WITH THE COILING DOOR INSTALLER AND MANUFACTURE DRAWINGS.
- 4 UTILIZE EXISTING CIRCUIT FOR THIS OFFICE. MODIFY THE EXISTING CIRCUITING AS REQUIRED TO ENSURE EXISTING CONTINUITY IS MAINTAINED AND OVERLOAD CONDITIONS DO NOT EXIST. MAXIMUM NUMBER OF RECEPTACLES PER CIRCUIT SHALL BE EIGHT (8).
- 5 UTILIZE AN EXISTING CIRCUIT WHICH HAS BEEN MADE AVAILABLE THROUGH DEMOLITION OF THIS AREA.
- 6 CONNECT TO UNSWITCHED LIGHTING CIRCUIT FOR THE HALLWAY.
- 7 HALLWAY LIGHTING SHALL BE CONNECTED TO THE EXISTING HALLWAY LIGHTING CIRCUIT AND SHALL BE CONNECTED TO THE EXISTING SWITCHING.
- 8 CONNECT TO THE EXISTING LIGHTING CIRCUIT FOR THIS AREA. PROVIDE NEW LIGHTING CONTROL AS SHOWN. NOT ALL LIGHTING CONTROL DEVICES ARE SHOWN. PROVIDE ALL DEVICES FOR A CODE COMPLIANT LIGHTING CONTROL SYSTEM.



B
ENLARGED LEVEL 1 ELECTRICAL PLAN
 SCALE: 3/16" = 1'-0"



A
ENLARGED LEVEL 1 LIGHTING PLAN
 SCALE: 3/16" = 1'-0"